

ITEM	QUAN	XPN	DESCRIPTION
8	—	REF.	REAR MOUNTING RAIL
7	—	REF.	FRONT MOUNTING RAIL
6	A/R	199693	CHASSIS TRACK MOUNTING HOWR.
5	1 PR	199693	24" CHASSIS TRACK SLIDE KIT
4	1	100870	CHASSIS ASSEMBLY
3	6	199352	8/32X2/8 UNIT MOUNTING SCREWS
2	1	100872	UNIT 1 ASSEMBLY
1	1	100871	UNIT 2 ASSEMBLY
ITEM	QUAN	XPN	DESCRIPTION

XEBEC SYSTEMS INC

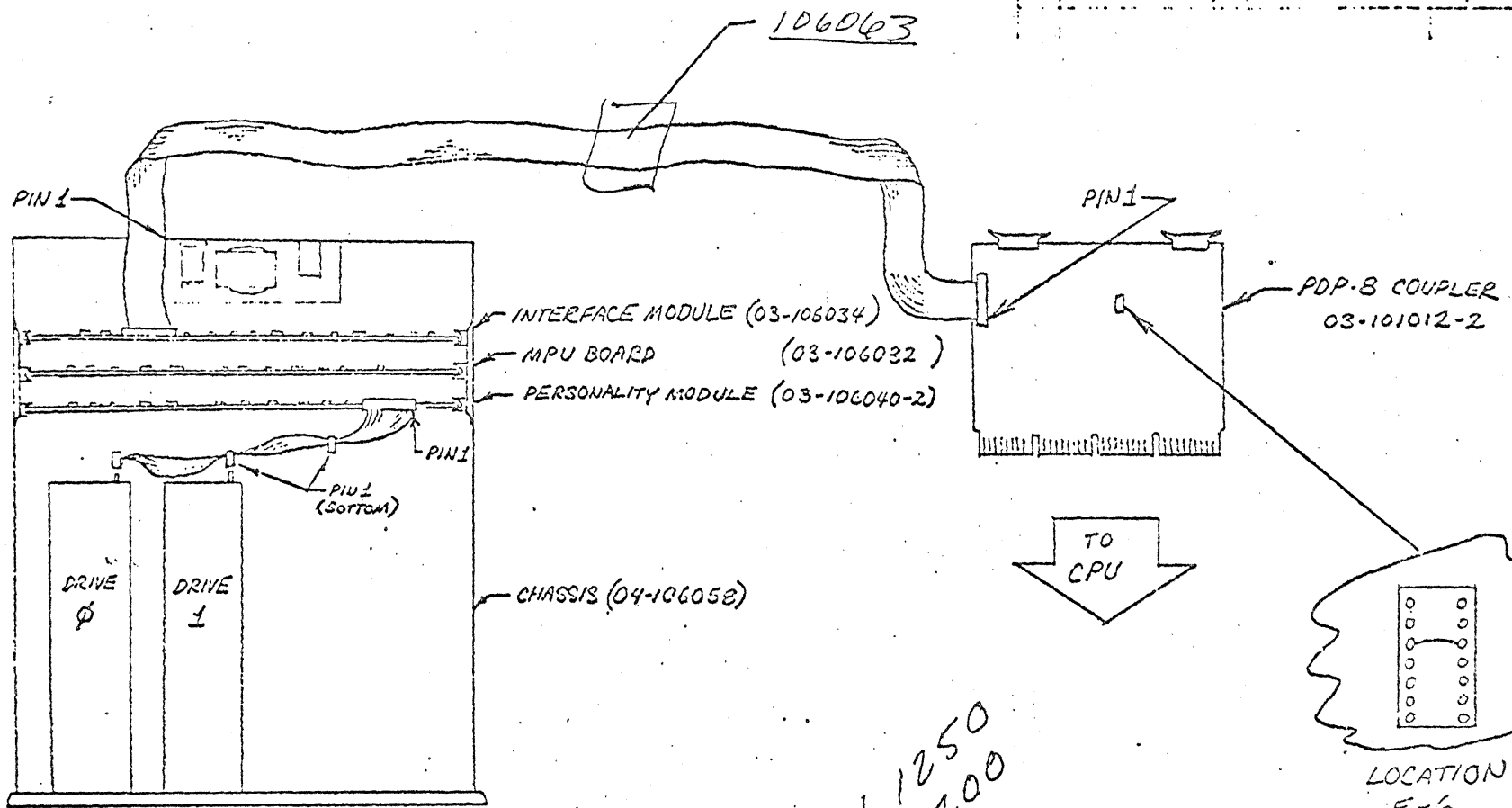
FLEXIBLE DISK SYSTEM

UNIT AND SLIDE KIT ASSEMBLY

100820
6-29-73

XPN. 100820

C



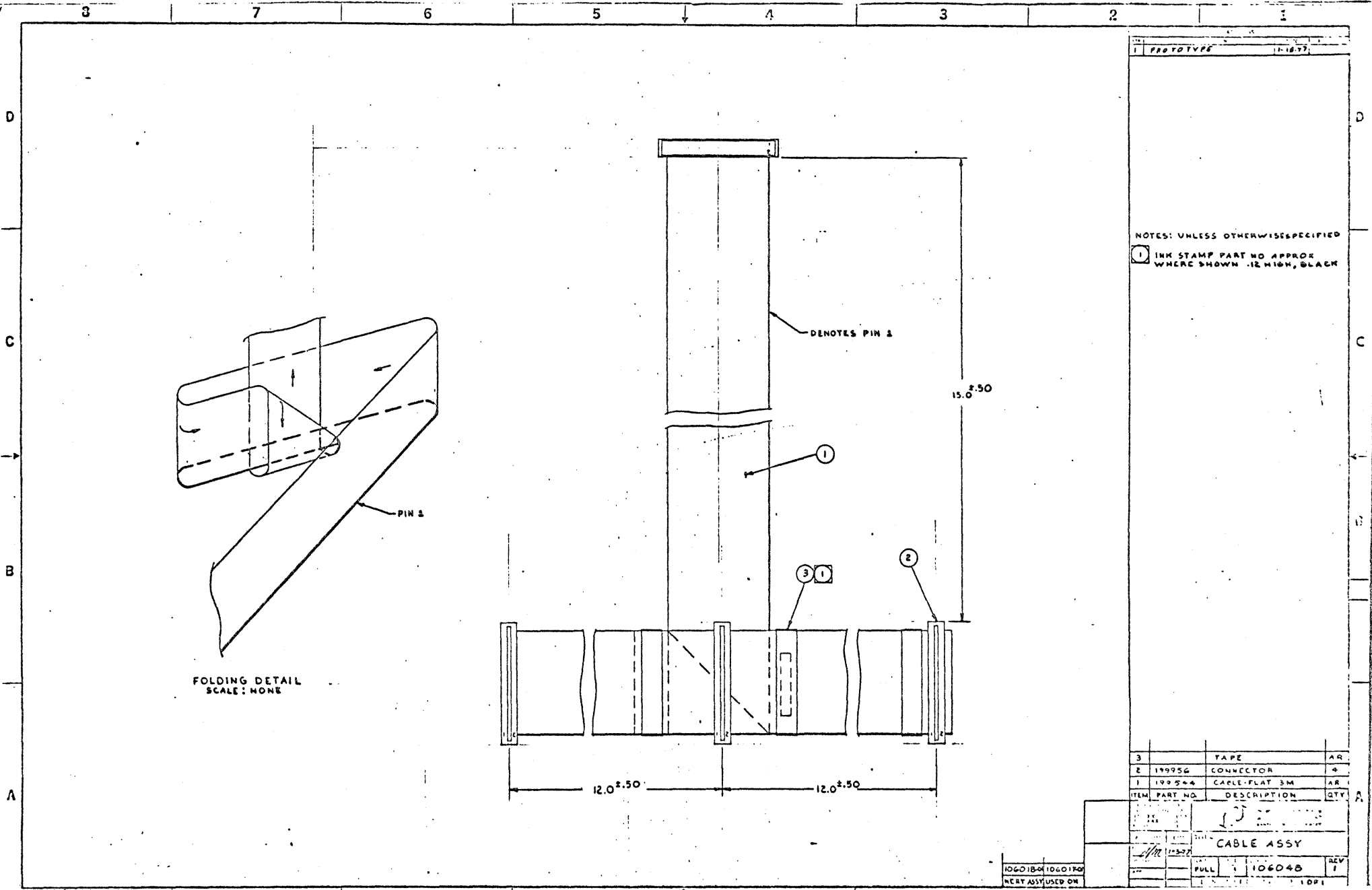
TOP VIEW

NOTE: THE THREE PCB'S IN THE 1200 CHASSIS MAY BE PLUGGED INTO ANY CONNECTOR IN THAT CHASSIS.

1011250
021200

1250 A CABLE
INTERCONNECT DWG.

106072



1 PROTOTYPE 11-18-57

NOTES: UNLESS OTHERWISE SPECIFIED
 1 INK STAMP PART NO APPROX WHERE SHOWN .12 HIGH, BLACK

DENOTES PIN 1

15.0 ± 0.50

1

3 1

2

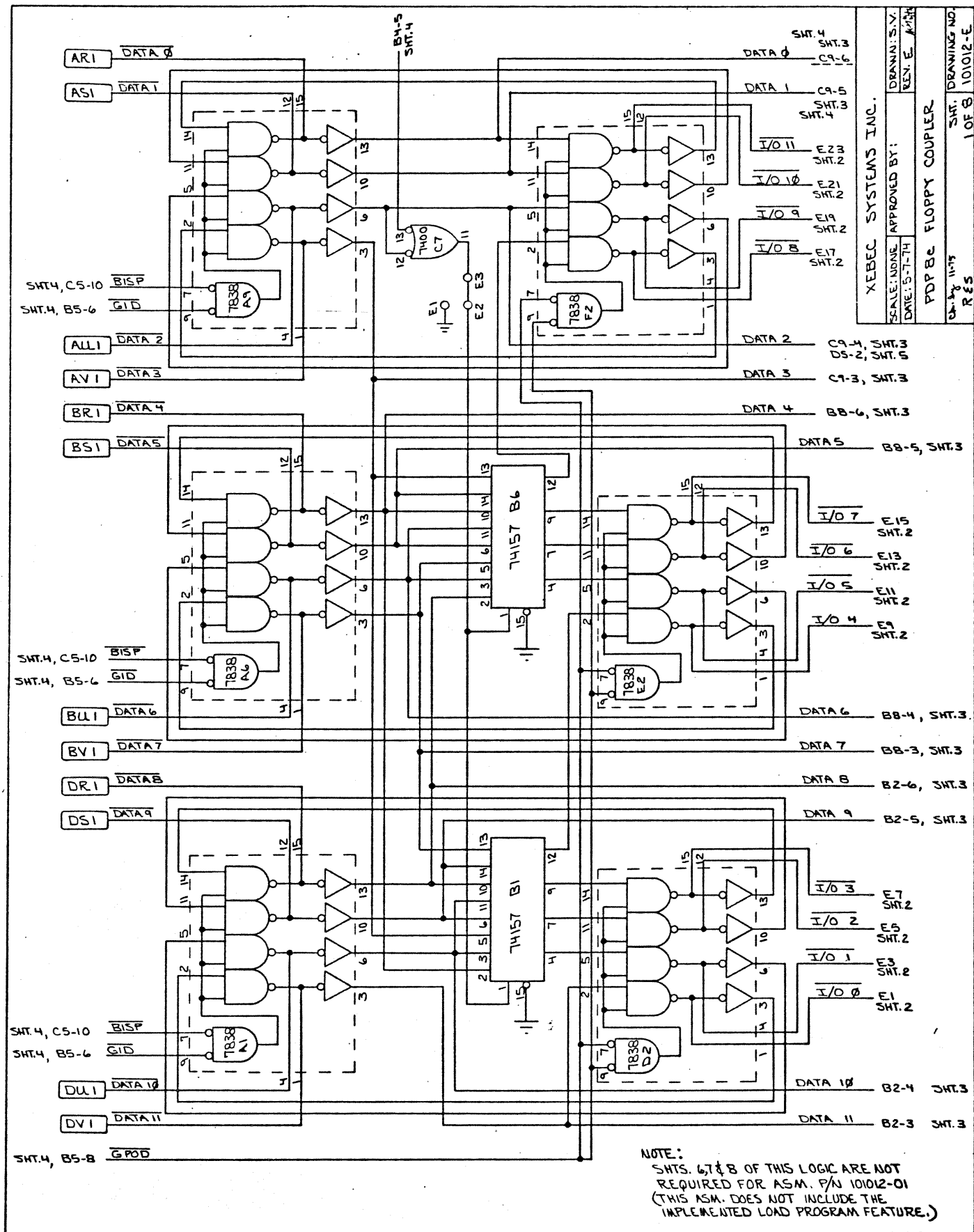
FOLDING DETAIL
 SCALE: NONE

PIN 1

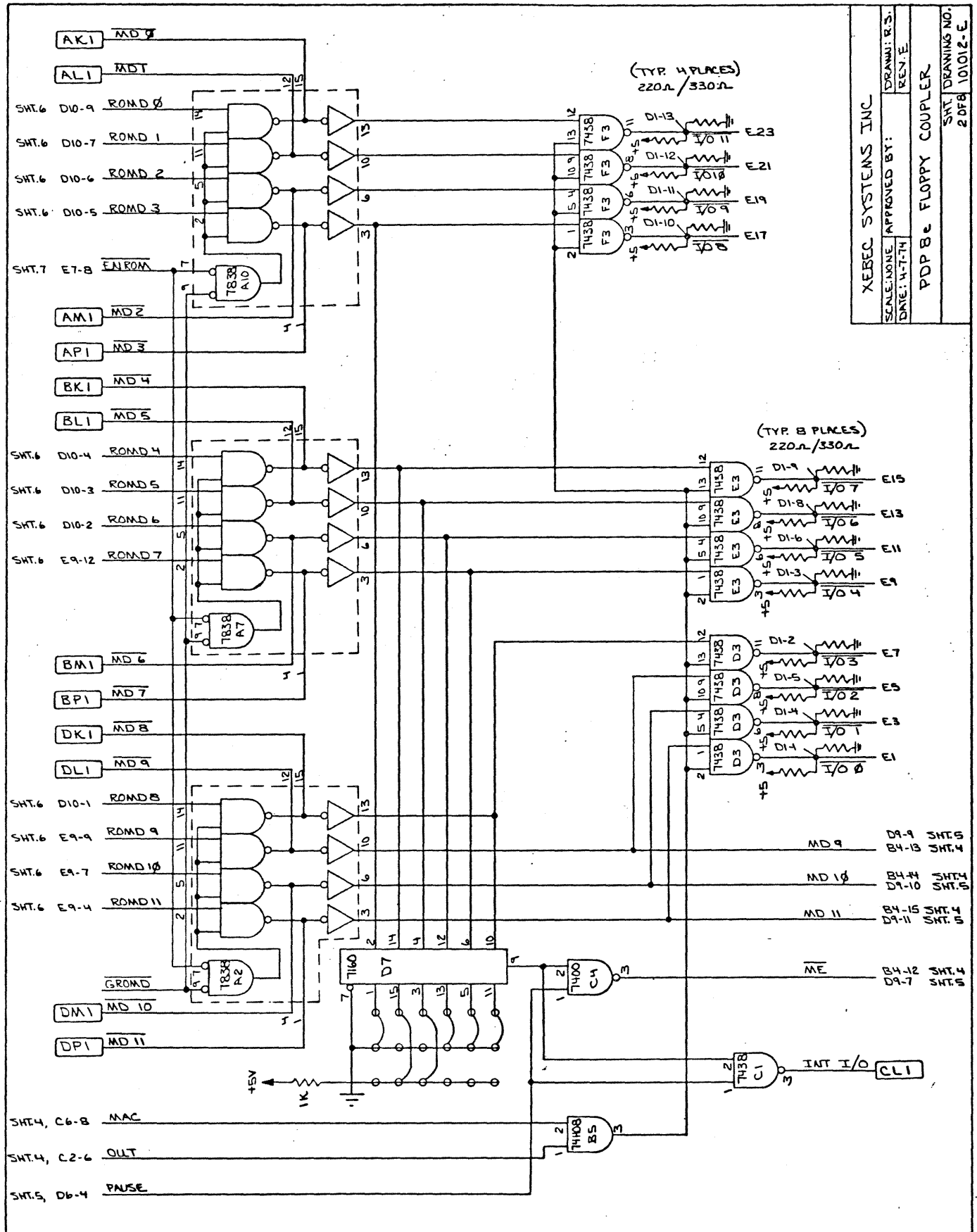
12.0 ± 0.50

12.0 ± 0.50

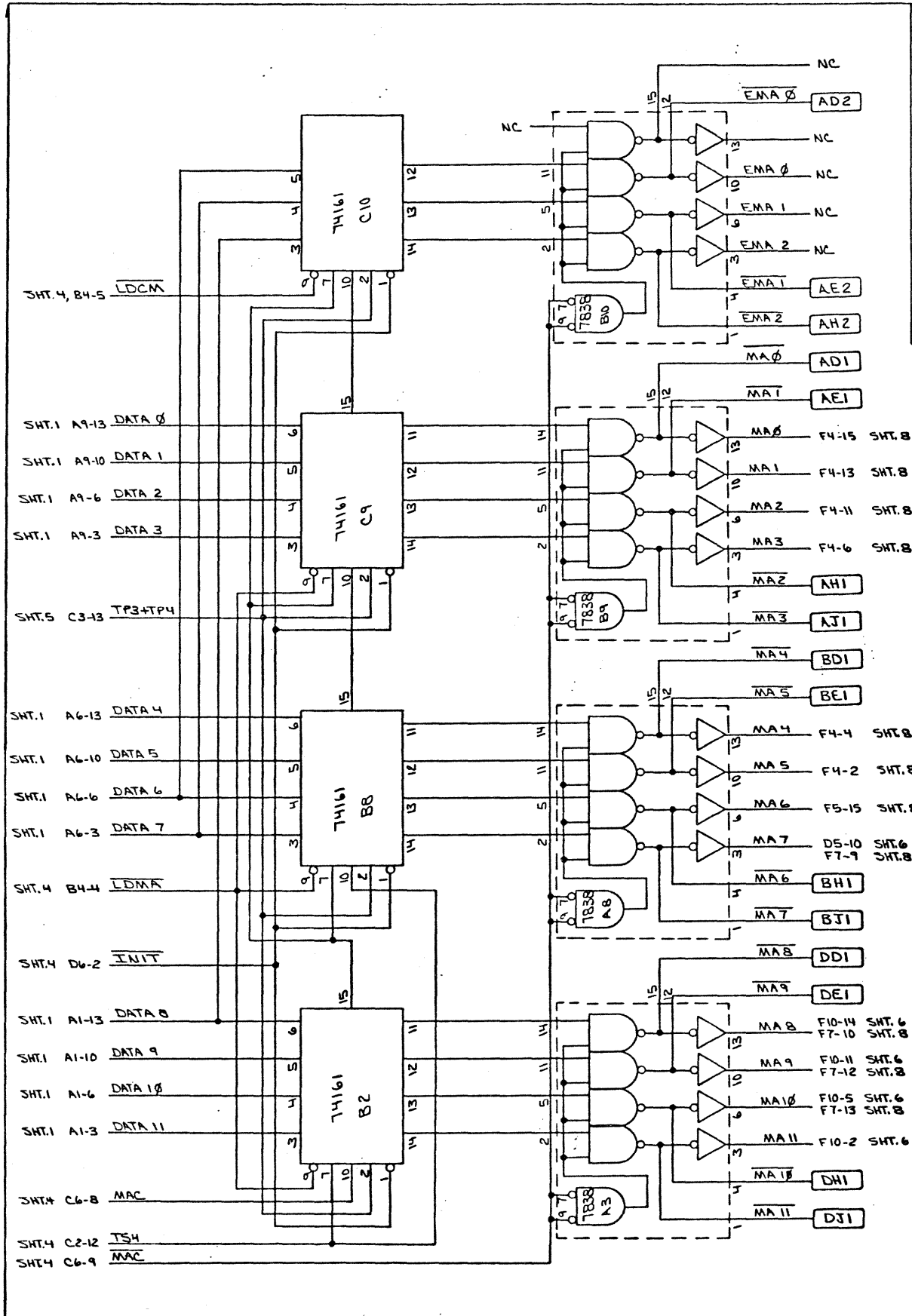
1060180 1060170
 NEXT ASSY USED ON



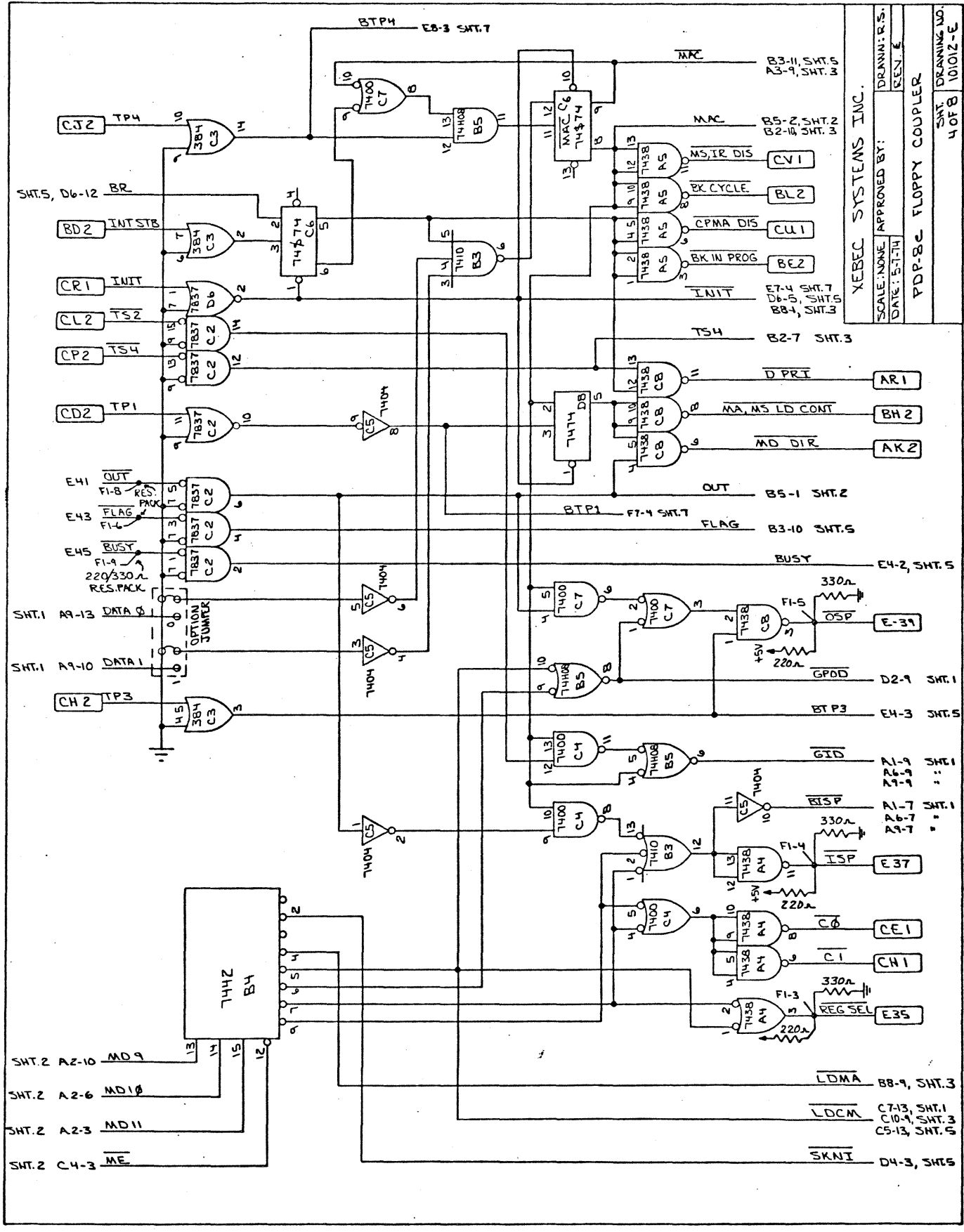
NOTE:
 SMTS. 67 & 8 OF THIS LOGIC ARE NOT
 REQUIRED FOR ASM. P/N 101012-01
 (THIS ASM. DOES NOT INCLUDE THE
 IMPLEMENTED LOAD PROGRAM FEATURE.)



XEBEC SYSTEMS INC
 SCALE: NONE APPROVED BY: [blank] DRAWN: R.S.
 DATE: 11-7-74 REV: E
 PDP 8e FLOPPY COUPLER
 SHT DRAWING NO. 2 DFB 101012-E

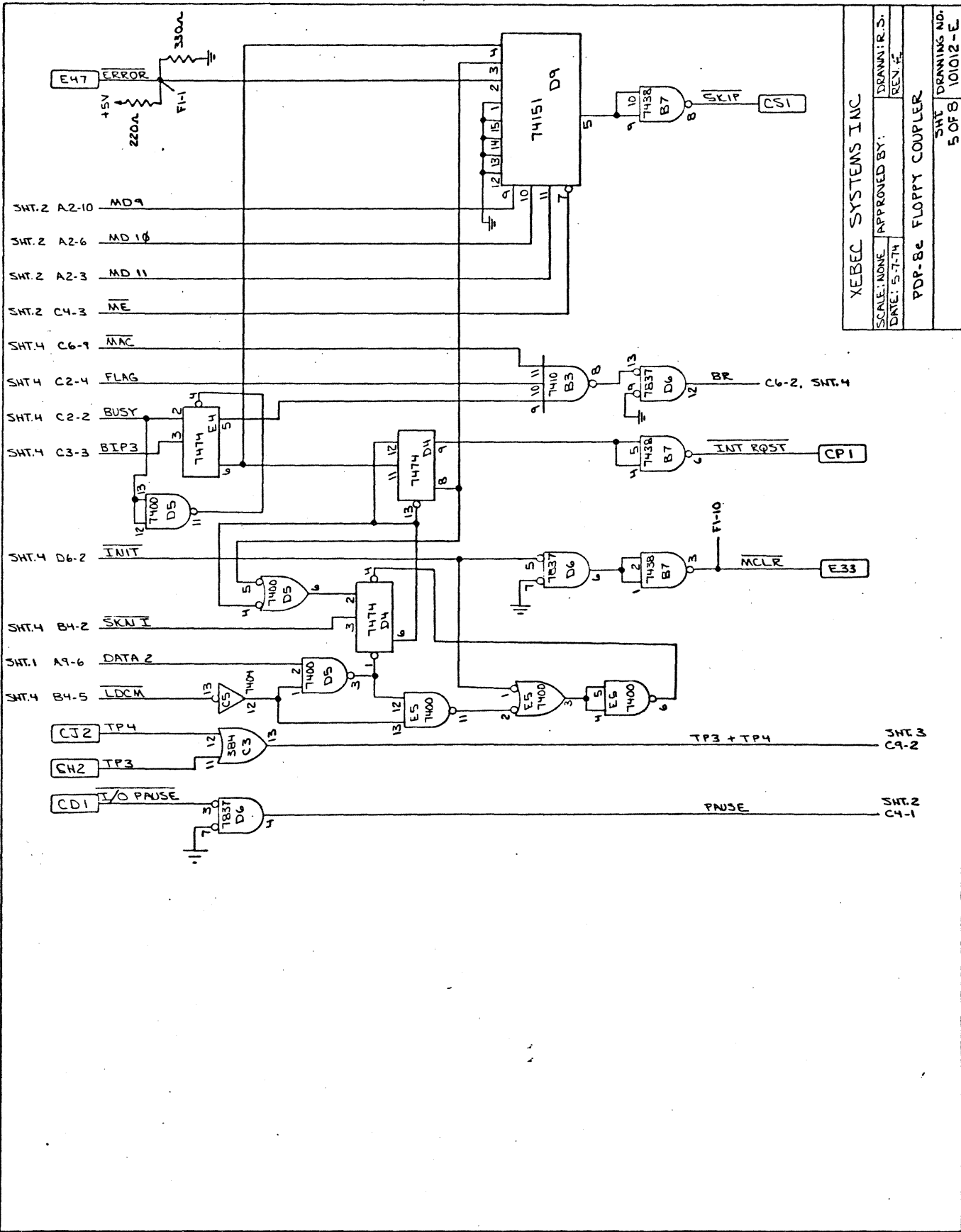


XEBEC SYSTEMS INC
 SCALE: NONE APPROVED BY: DRAWN: R.S.
 DATE: 5-7-74 REV: E
 PDP 8c FLOPPY COUPLER
 SHT 3 OF 8 DRAWING NO. 101012-E



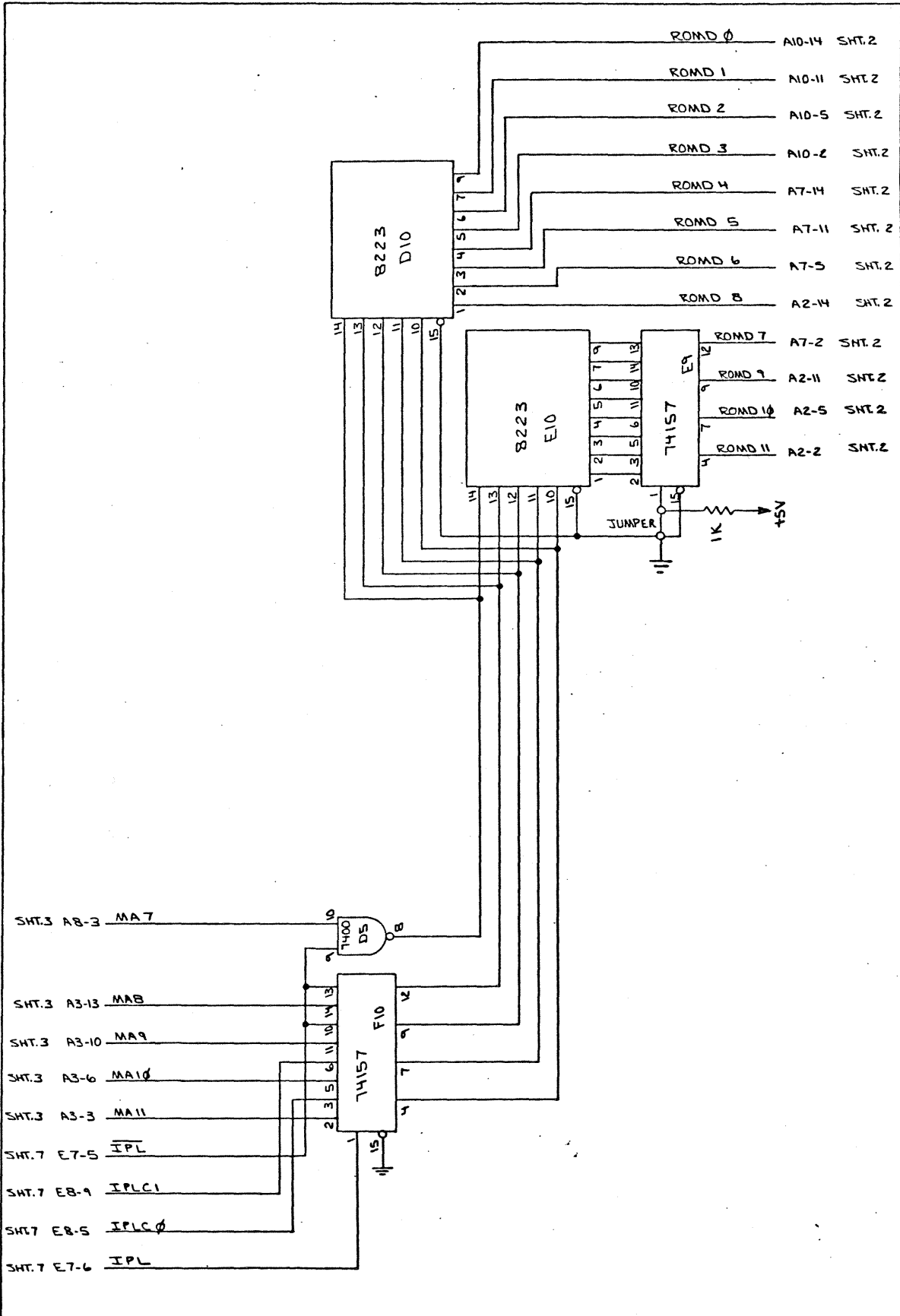
YEBEC SYSTEMS INC.		SCALE: NONE	APPROVED BY:	DRANNER, R.S.
		DATE: 5-7-74	REV. E	REV. E
PDP-8c FLOPPY COUPLER				
SMT. 4 OF 8		DRAWING NO. 101012-E		

- MAC B3-11, SMT. 8
B3-9, SMT. 8
- MAC B5-2, SMT. 2
B2-5, SMT. 3
- MS, IR, DIS CV1
- BK CYCLE BL2
- CPMA DIS CU1
- BK IN PROG BE2
- INIT E7-4 SMT. 7
D6-5, SMT. 5
B8-1, SMT. 5
- TS4 B2-7 SMT. 3
- D PRI AR1
- MA, MS LD CONT BH2
- MD DIR AK2
- OUT B5-1 SMT. 2
- FLAG B3-10 SMT. 6
- BUSY E4-2, SMT. 5
- GP OD D2-9 SMT. 1
- BT P3 E4-3 SMT. 5
- GID A1-9 SMT. 1
A6-9 " " SMT. 1
A7-9 " " SMT. 1
A1-7 SMT. 1
A6-7 " " SMT. 1
A9-7 " " SMT. 1
- RISP E37
- C0 CE1
- C1 CH1
- REG SEL E35
- LDMA B8-9, SMT. 3
- LDCM C7-13, SMT. 1
C10-1, SMT. 3
C5-13, SMT. 5
- SKNI D4-3, SMT. 5



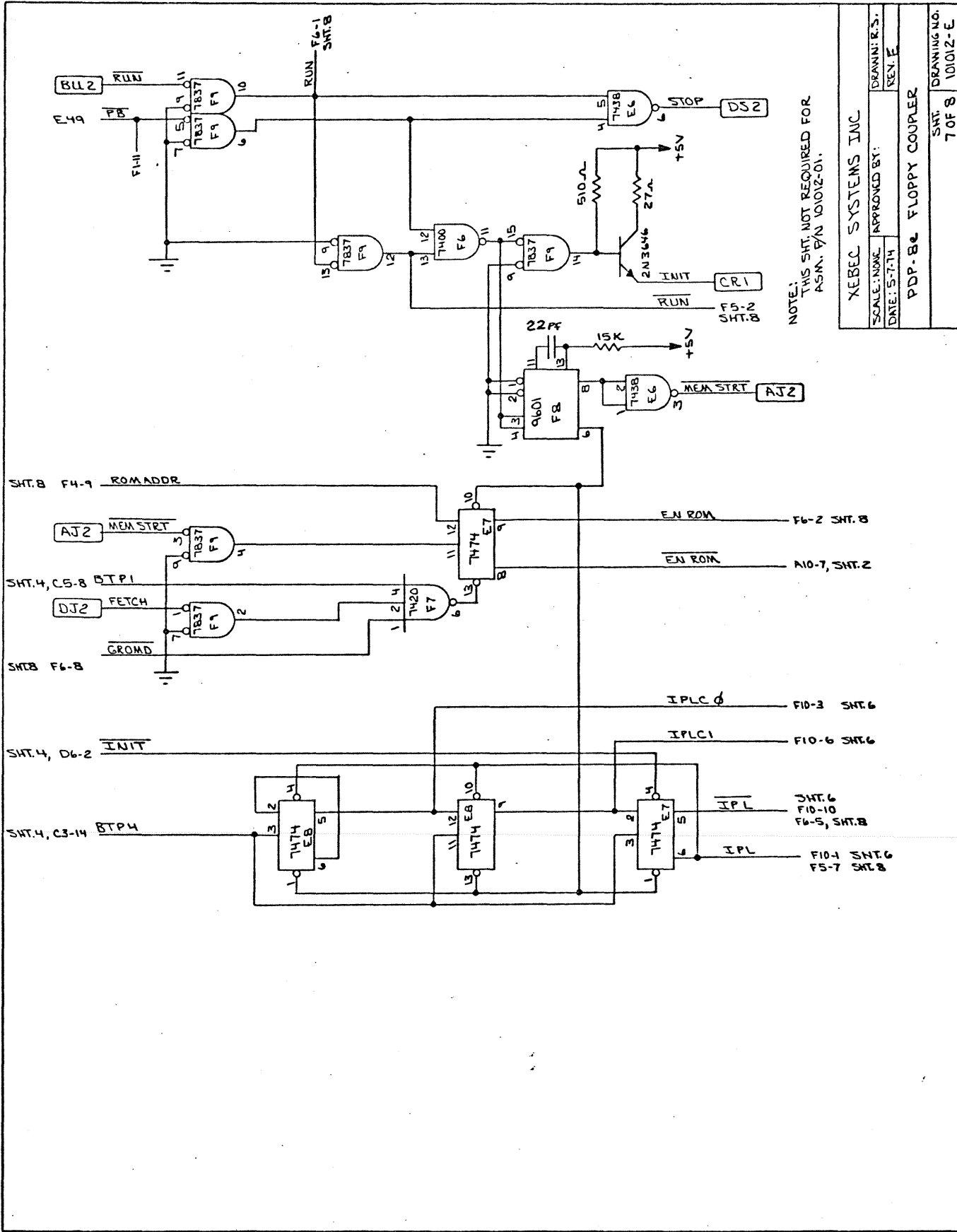
- SHT.2 A2-10 MD9
- SHT.2 A2-6 MD10
- SHT.2 A2-3 MD11
- SHT.2 C4-3 ME
- SHT.4 C6-1 MAC
- SHT.4 C2-4 FLAG
- SHT.4 C2-2 BUSY
- SHT.4 C3-3 BIP3
- SHT.4 D6-2 INIT
- SHT.4 B4-2 SKNT
- SHT.1 A9-6 DATA 2
- SHT.4 B4-5 LDCM
- CJ2 TP4
- CH2 TP3
- CD1 I/O PAUSE
- SHT.3 C9-2 TP3 + TP4
- SHT.2 C4-1 PAUSE

XEBEC SYSTEMS INC
 SCALE: NONE APPROVED BY: DRAWN: S.
 DATE: 5-7-74 REN: E.
 PDP-8e FLOPPY COUPLER
 SHT DRAWING NO. 5 OF 8 101012-E



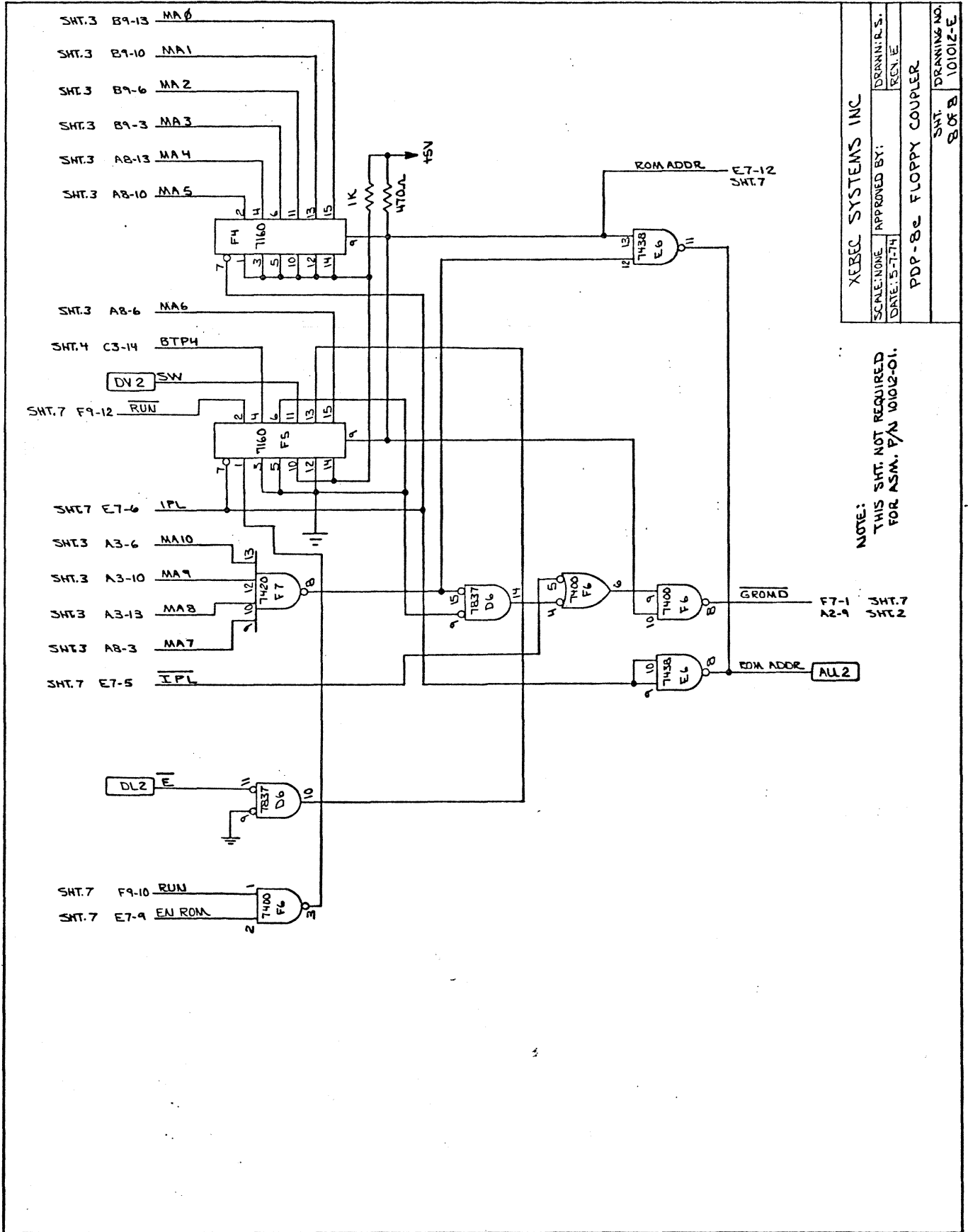
XEBEC SYSTEMS INC	
SCALE: NONE	APPROVED BY: DRAWN: R.S.
DATE: 5-7-74	REV: E
PDP-8e FLOPPY COUPLER	
SMT. 6 OF 8	DRAWING NO. 101012-E

NOTE:
THIS SMT. NOT REQUIRED FOR
ASM. P/N 101012-01.



NOTE: THIS SMT NOT REQUIRED FOR
ASM. PN 101012-01.

XEBEC SYSTEMS INC		
SCALE: NONE	APPROVED BY:	DRAWN: R.S.
DATE: 5-7-74		REV: E
PDP-8e FLOPPY COUPLER		
SMT 7 OF 8	DRAWING NO. 101012-E	

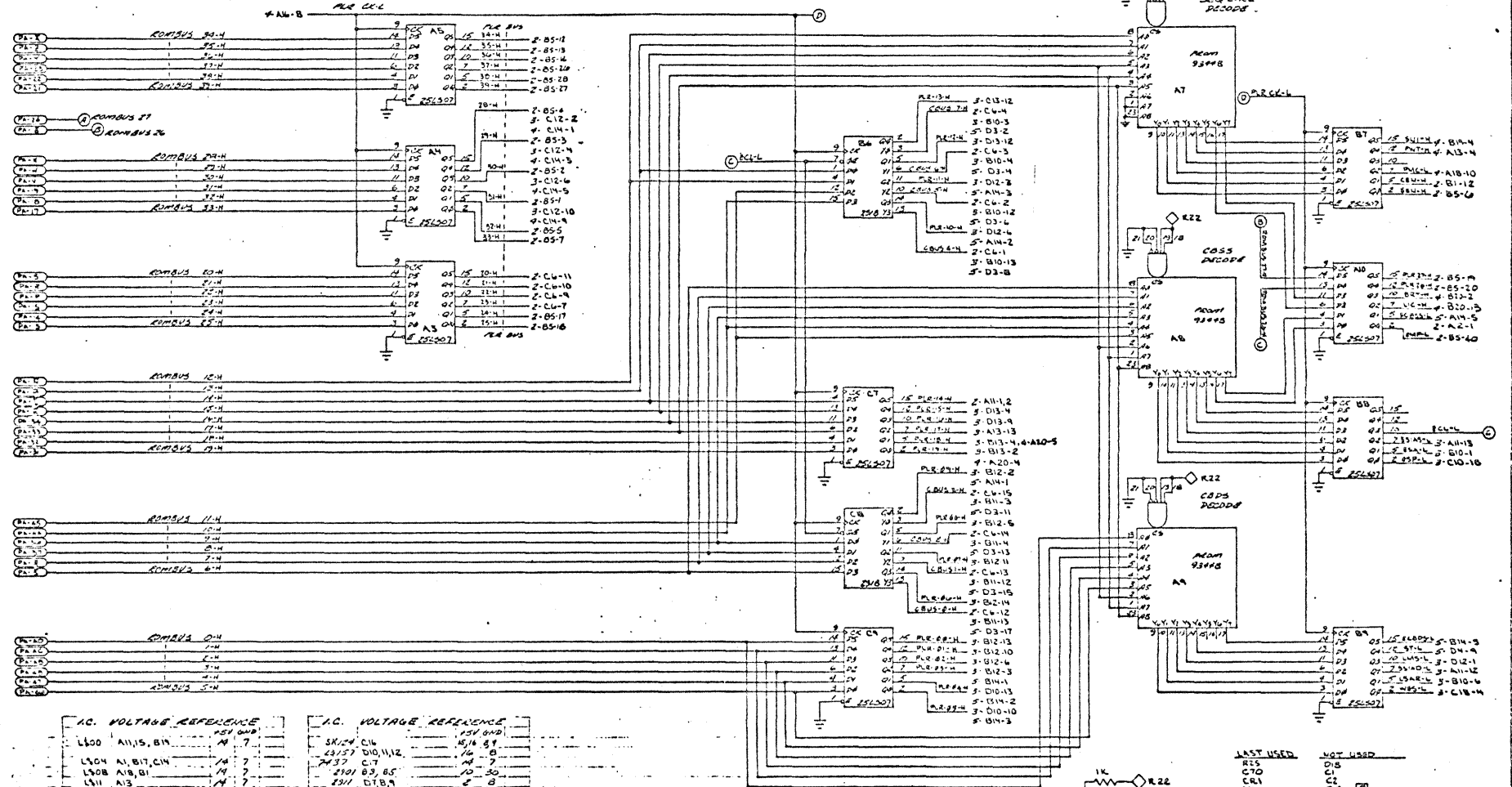


XEREC SYSTEMS INC
 SCALE: NONE APPROVED BY: DRANN: R.S.
 DATE: 5-7-74 REV: E
 PDP-8e FLOPPY COUPLER
 SHT. DRAWING NO. 8 OF 8 101012-E

NOTE:
 THIS SHT. NOT REQUIRED
 FOR ASM. P/N 101012-01.

SHT.7
 A2-9
 SHT.2

REV. 15-77	
M	PROTOTYPE WIREBOARD
P2	PROTOTYPE
A	RELEASE 1-23-76
B	ECN 801

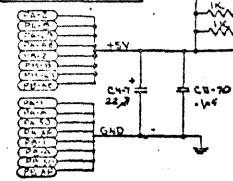


PA-1	ROMBUS 20-H	1	20-H	1	20-H	1	20-H	1	20-H
PA-2	ROMBUS 20-H	1	20-H	1	20-H	1	20-H	1	20-H
PA-3	ROMBUS 20-H	1	20-H	1	20-H	1	20-H	1	20-H
PA-4	ROMBUS 20-H	1	20-H	1	20-H	1	20-H	1	20-H
PA-5	ROMBUS 20-H	1	20-H	1	20-H	1	20-H	1	20-H
PA-6	ROMBUS 20-H	1	20-H	1	20-H	1	20-H	1	20-H
PA-7	ROMBUS 20-H	1	20-H	1	20-H	1	20-H	1	20-H
PA-8	ROMBUS 20-H	1	20-H	1	20-H	1	20-H	1	20-H
PA-9	ROMBUS 20-H	1	20-H	1	20-H	1	20-H	1	20-H
PA-10	ROMBUS 20-H	1	20-H	1	20-H	1	20-H	1	20-H
PA-11	ROMBUS 20-H	1	20-H	1	20-H	1	20-H	1	20-H
PA-12	ROMBUS 20-H	1	20-H	1	20-H	1	20-H	1	20-H
PA-13	ROMBUS 20-H	1	20-H	1	20-H	1	20-H	1	20-H
PA-14	ROMBUS 20-H	1	20-H	1	20-H	1	20-H	1	20-H
PA-15	ROMBUS 20-H	1	20-H	1	20-H	1	20-H	1	20-H
PA-16	ROMBUS 20-H	1	20-H	1	20-H	1	20-H	1	20-H
PA-17	ROMBUS 20-H	1	20-H	1	20-H	1	20-H	1	20-H
PA-18	ROMBUS 20-H	1	20-H	1	20-H	1	20-H	1	20-H
PA-19	ROMBUS 20-H	1	20-H	1	20-H	1	20-H	1	20-H
PA-20	ROMBUS 20-H	1	20-H	1	20-H	1	20-H	1	20-H

A.C. VOLTAGE REFERENCE			
IC	Pin	Ref	Pin
L600	A11, B1	M	7
L504	A1, B1, C4	M	7
L508	A1, B1	M	7
L511	A13	M	7
L514	A4	M	7
L506	A20	M	7
L532	C18	M	7
C551	B13	M	7
L5109	B15, D17	M	7
L525	D15	M	7
C5760	B2	M	7
C5767	C12	M	7
L51422	C10, 11	M	7
L51418	A15, A	M	7
L51407	A14, A19, A18, B1, C1	M	7
L410	A17	M	7
L514130	A14, B4	M	7
L51415	C15	M	7
L514189	C4, D6	M	7
L5141257	C12	M	7

A.C. VOLTAGE REFERENCE			
IC	Pin	Ref	Pin
L5141	C1, D2, A5	M	7
L51411	A2, D3	M	7
L51411	A1, A13, A5	M	7
L51411	D10, D13	M	7
L51411	D13	M	7

NOTES: UNLESS OTHERWISE SPECIFIED
 1. A.C.'S AT, AB, AM (33446)
 PA118 = CS4 PA120 = CS2
 PA117 = CS3 PA121 = CS1
 2. A.C.'S C0, C1 (332422)
 PA117 = CS2 PA118 = CS1
 3. FULL UP (MIL-STD-883C)
 4. IC DEVICE TYPE L5XX = 74LSXX
 54XX = 74SXX
 5. R1 THRU R8 DELETED ON ASSEMBLIES USING
 PCB PART NO. 106032, REV B AND UP



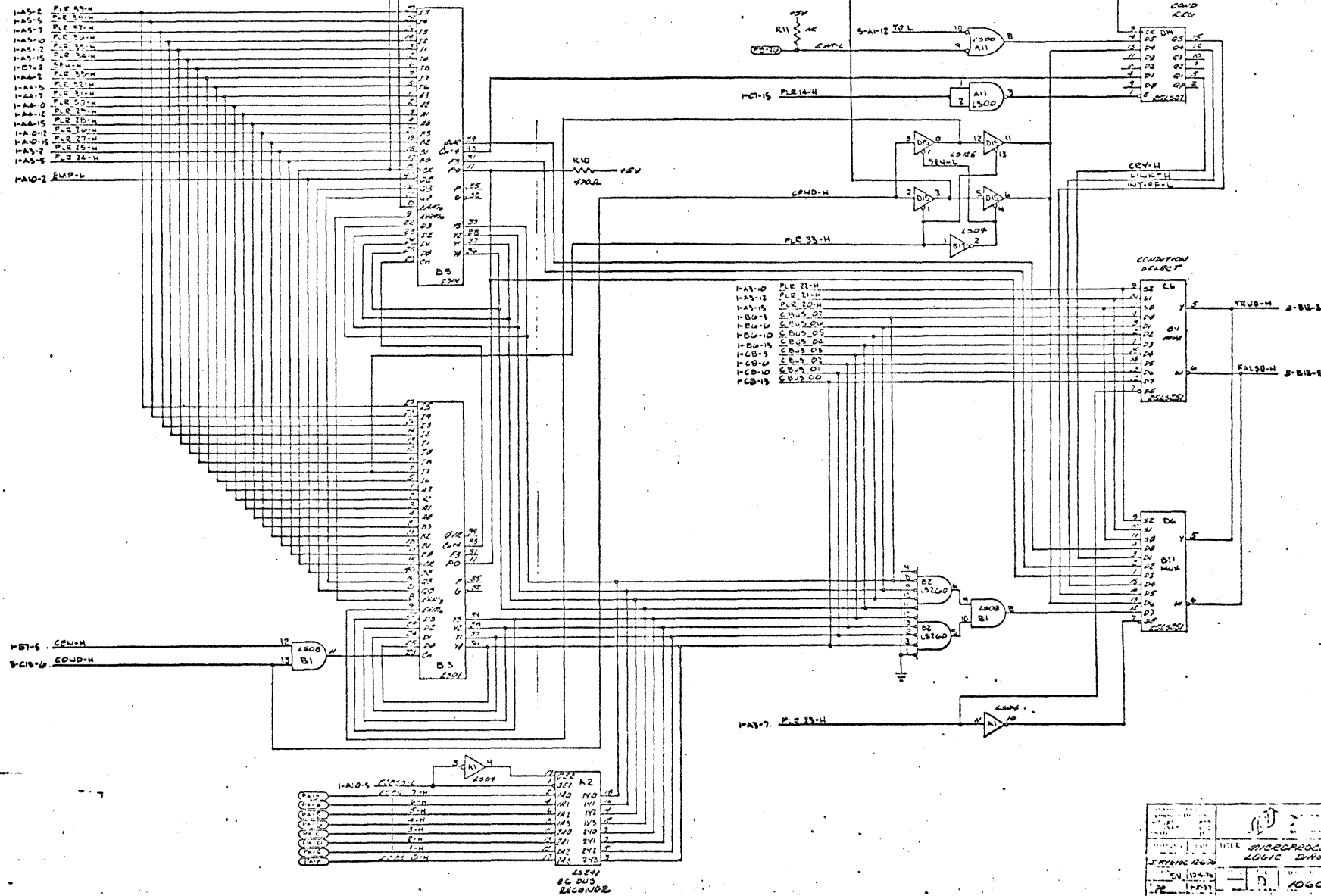
LAST USED	NOT USED
R23	D15
C70	C2
C81	R5
Y1	

106032	1200A	PC	106032	106
NEXT ASSY. USED ON:		DATE:		REV:
		106032		B

3 7 6 5 4 3 2 1

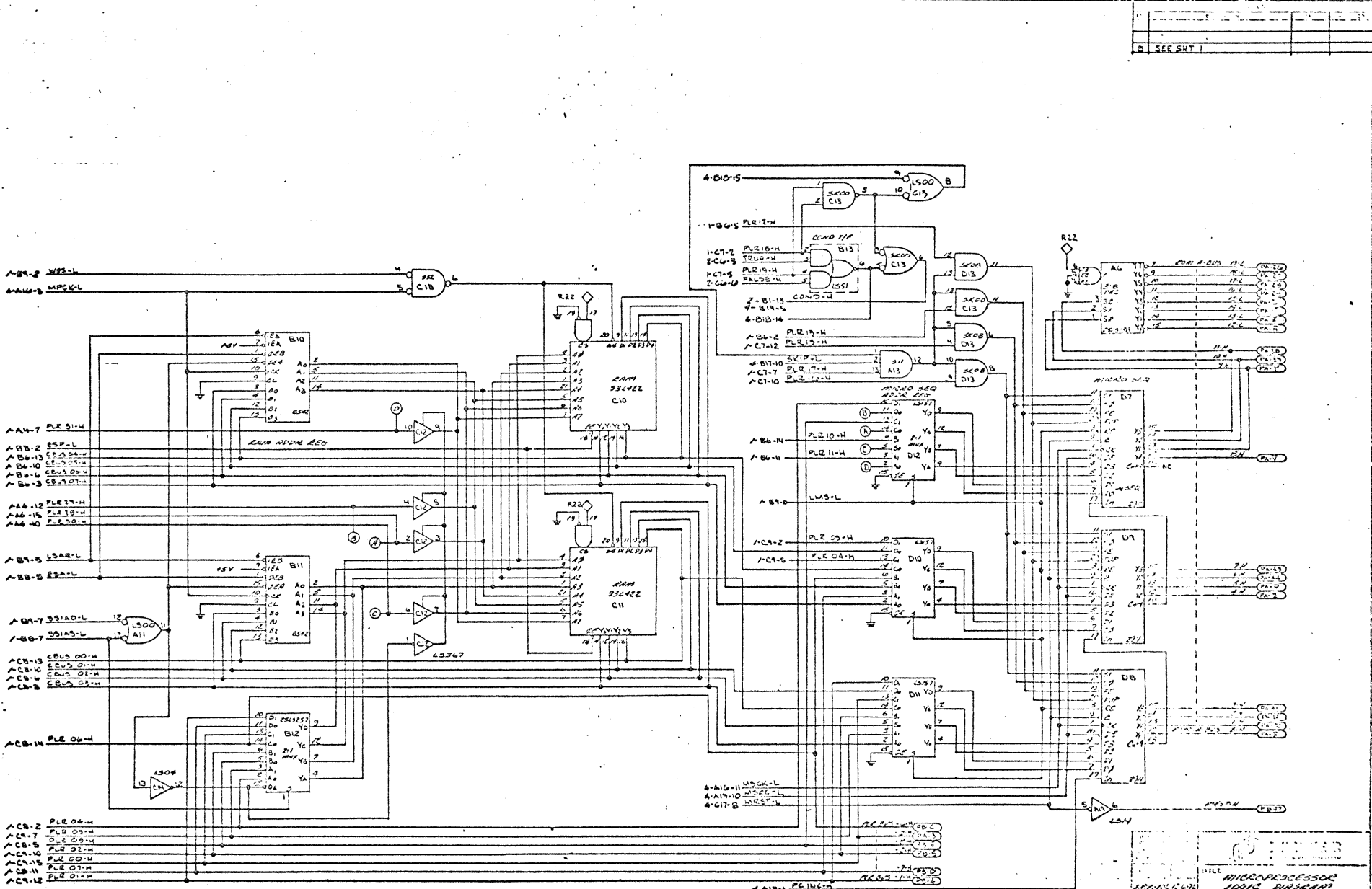
B SCE SMT1

8-AIG-3 MPCK-L

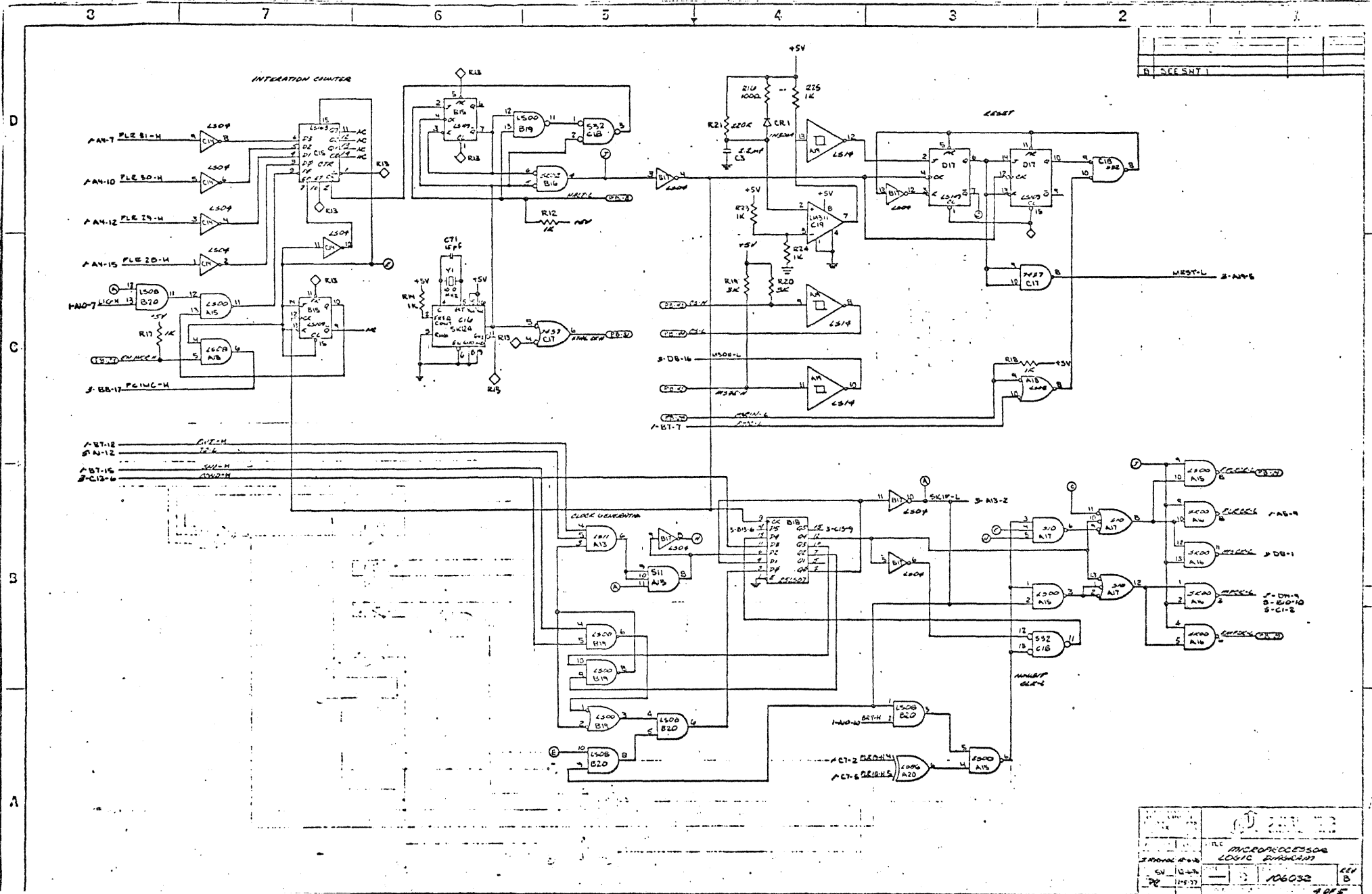


MICROPROCESSOR LOGIC DIAGRAM	
SYMBOL NO.	106032
REV	B

6524
IC BUS
220002



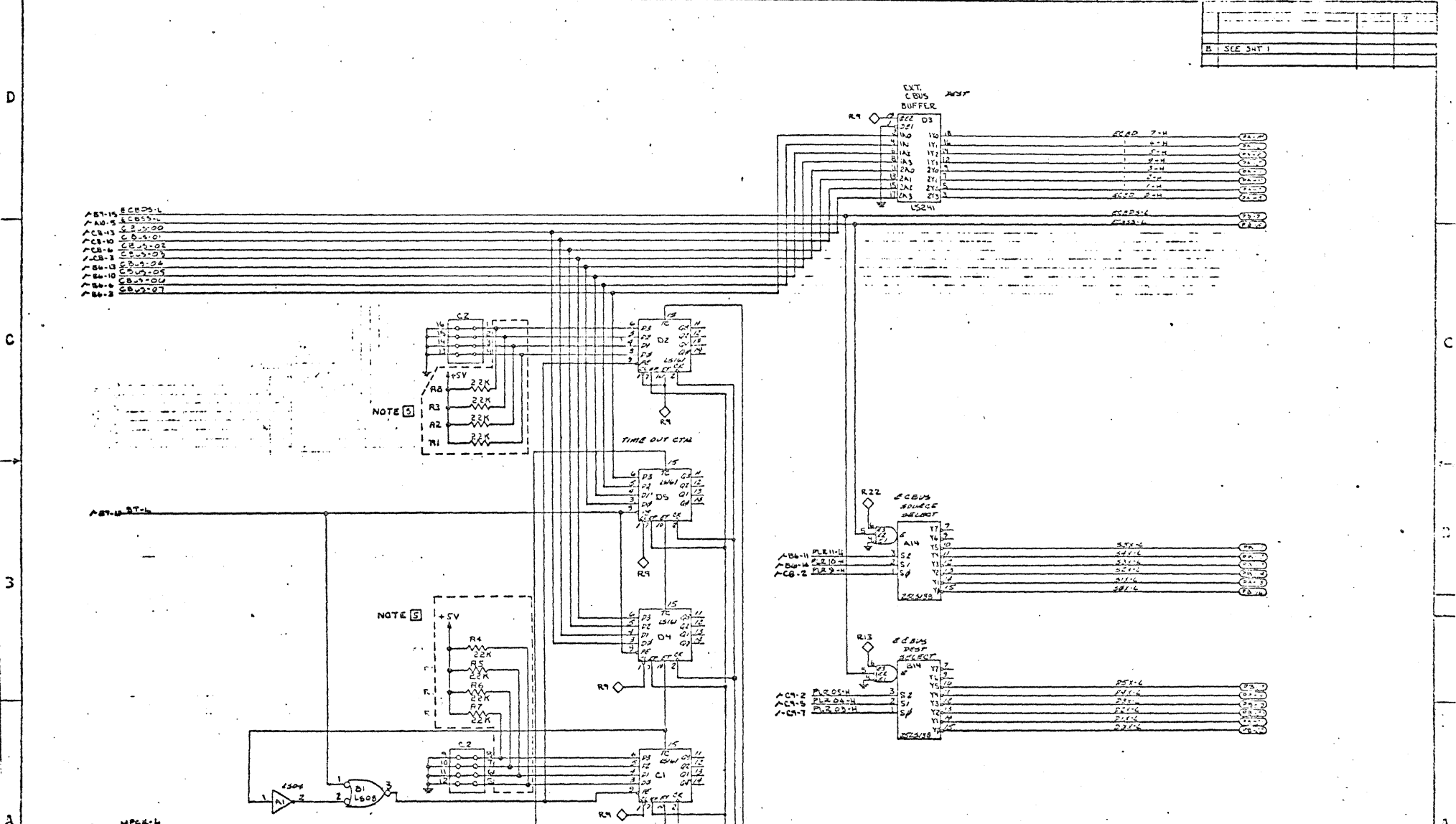
Pin	Signal
1	...
2	...
3	...
4	...
5	...
6	...
7	...
8	...
9	...
10	...
11	...
12	...
13	...
14	...
15	...
16	...
17	...
18	...
19	...
20	...
21	...
22	...
23	...
24	...
25	...
26	...
27	...
28	...
29	...
30	...
31	...
32	...
33	...
34	...
35	...
36	...
37	...
38	...
39	...
40	...



1			2			3			4			5			6			7			8		
B SEE SNT 1																							

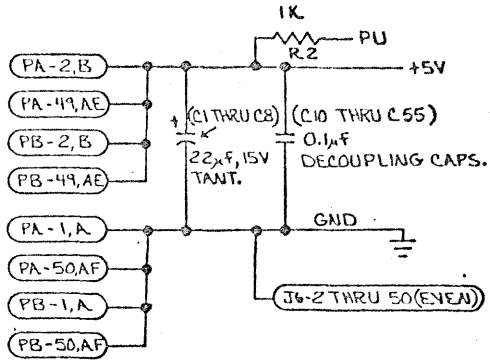
DATE: 2/13/73	
FILE: MICROPROCESSOR LOGIC	
DRAWN: [Signature]	
SW: 10-27	REV: B
BY: 11-77	
106032	

8 7 6 5 4 3 2 1



MICROPROCESSOR LOGIC PINSTRAM	
REV. 10/76	106032
72 12/11	805

REVISIONS		APPROVED
LTR	DESCRIPTION	
1	PROTOTYPE	1-21-76
2	PER ENGR INPUT	5-18-77
A	PRODUCTION RELEASE	5-23-77
B	REVISED PER ECN NO. B10	7-28-77



NOTES: UNLESS OTHERWISE SPECIFIED

1. RESISTORS ARE IN OHMS $\pm 5\%$, 1/4 W
2. LAST USED; C55, R2
3. IC DEVICE TYPE LSXX=74LSXX
4. FOR IC POWER & GND PINS
SEE CHART
5. APPLIES TO ASSEMBLIES USING PC BOARD P/N 106035 REV I
6. APPLIES TO ASSEMBLIES USING PC BOARD P/N 106035 REV A
7. DELETE ON ASSEMBLIES USING PC BOARD P/N 106035 REV A

I.C. VOLTAGE REFERENCE			
	LOCATION	+5	GND
7416	C4	14	7
LS00	A14	14	7
LS02	A12, B13 [5]	14	7
LS08	B14	14	7
LS74	A13	14	7
LS138	A7, A8	16	8
LS173	A6, 9-11, B6, B8-10, B7, B12 [7]	16	8
8837	C3	16	8
8838	C8-10, C7 [7]	16	8
93448	B1-5, A1-5	24	12
LS32	C5 [5], B16 [6]	14	7

KEEBC
SYSTEMS INCORPORATED

MPIC INTERFACE
MODULE

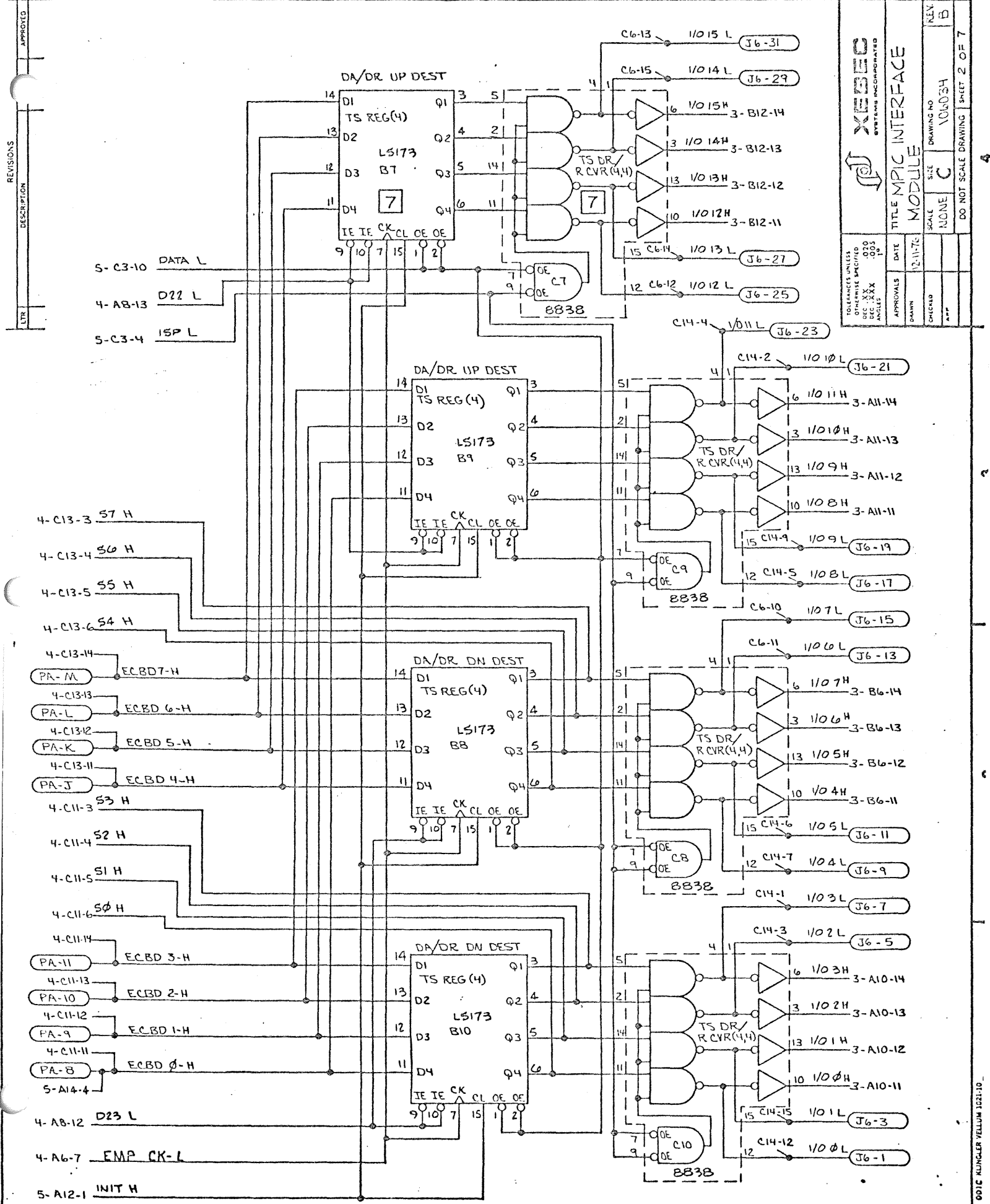
DRAWN: S. VIERP/17-76
CHECKED: []

DATE: 5/17/76

SCALE: NONE
SIZE: C
DRAWING NO: 106034
REV: B

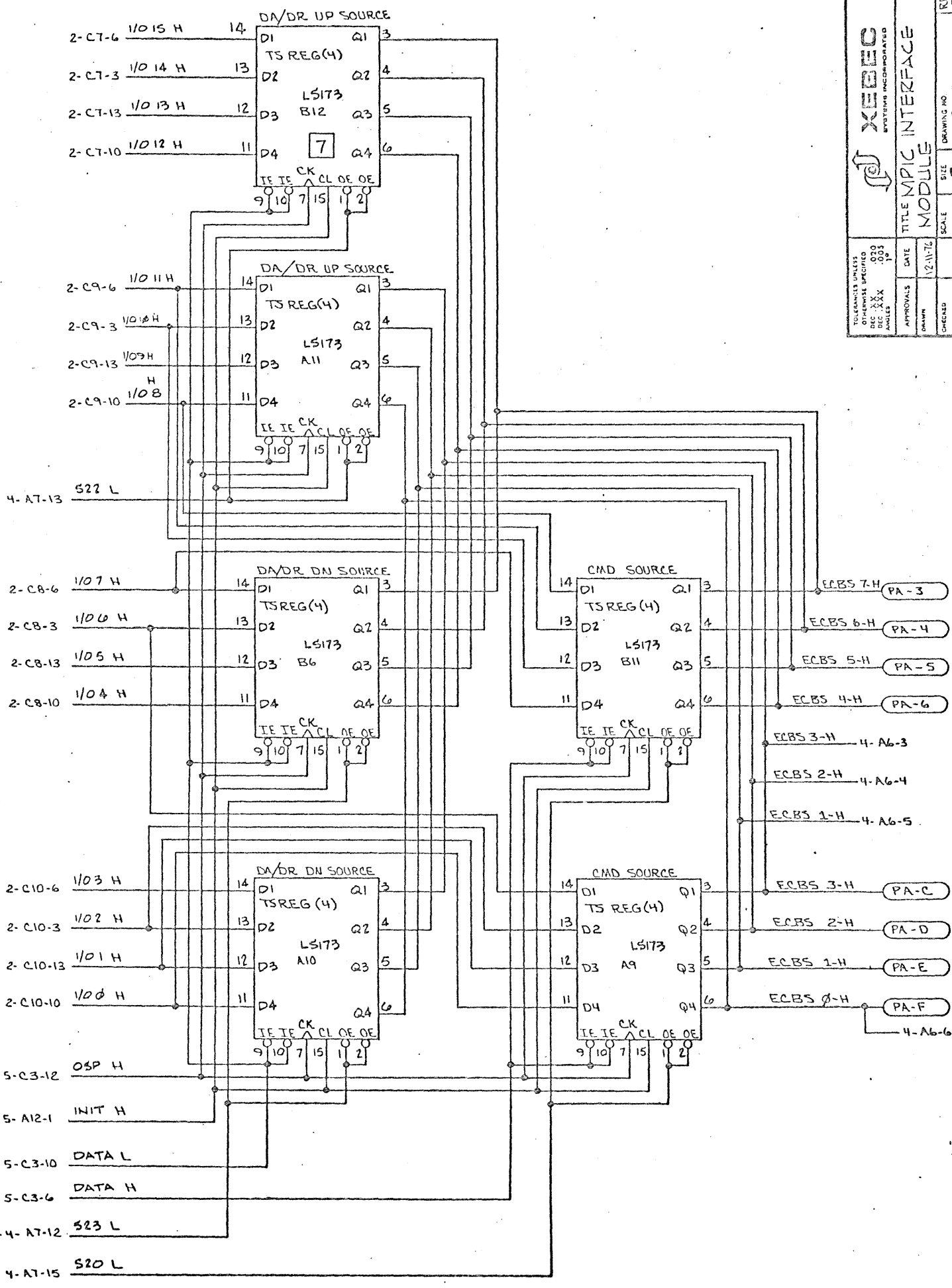
DO NOT SCALE DRAWING | SHEET 1 OF 7

106035 1200 A
NEXT ASSY: USED ON



		TITLE MPIC INTERFACE MODULE	
TOLERANCES UNLESS OTHERWISE SPECIFIED DEC XXXX ANGLES	DATE 12-11-76	SCALE NONE	DRAWING NO. 106034
APPROVALS _____ DRAWN _____ CHECKED _____ APP _____	DATE _____	SIZE C	REV. NO. B DO NOT SCALE DRAWING SHEET 2 OF 7

APPROVED
LTR DESCRIPTION REVISIONS



KEEPC
SYSTEMS INCORPORATED

MPIC INTERFACE MODULE

DATE: 12/11/72
DRAWN: [blank]
CHECKED: [blank]
APP: [blank]

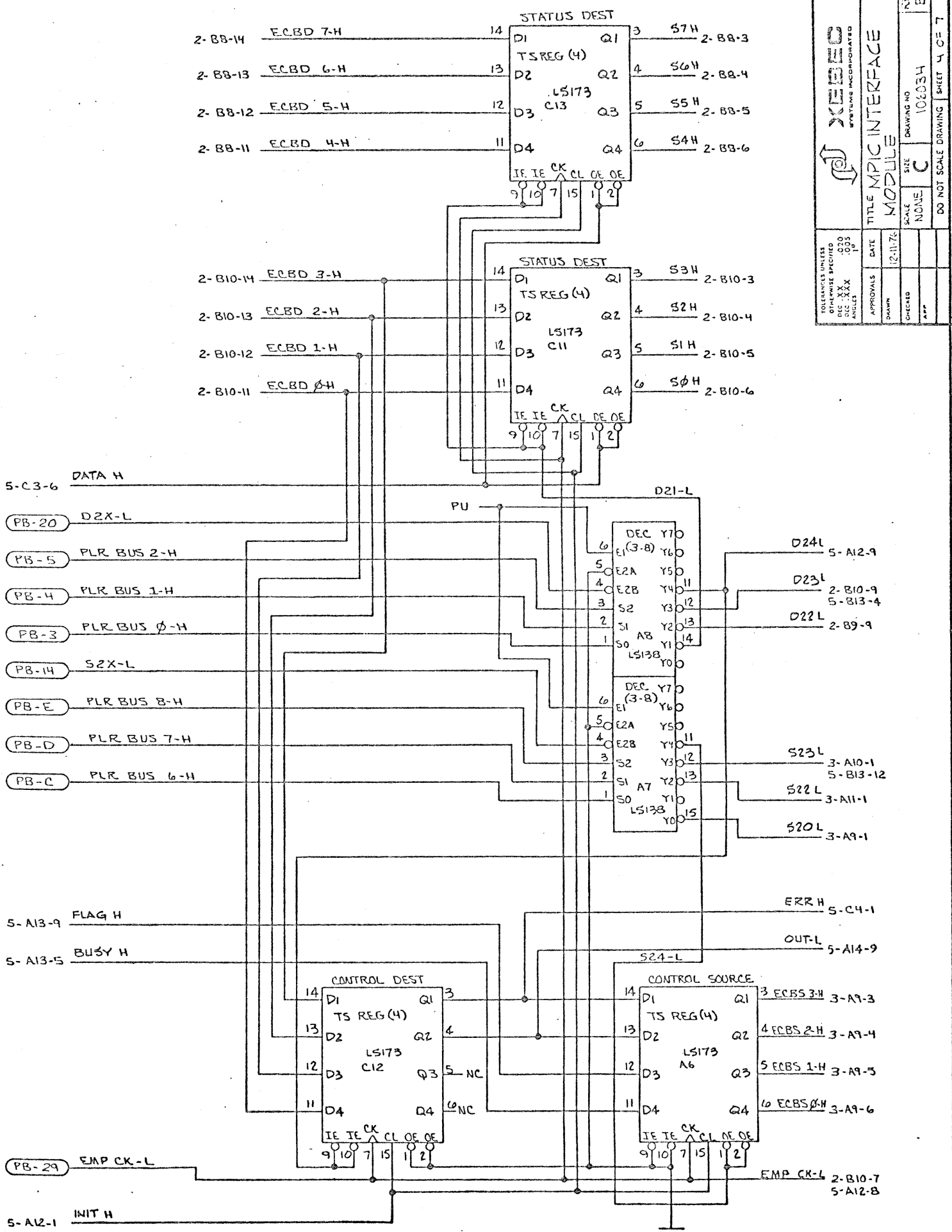
SCALE: NONE
SIZE: C
DRAWING NO: 106034
REV: B

DO NOT SCALE DRAWING SHEET 3 OF 7

TOLERANCES UNLESS OTHERWISE SPECIFIED:
DIM: .003
ANGLES: 1°

APPROVED
DESCRIPTION
LTR

A B C

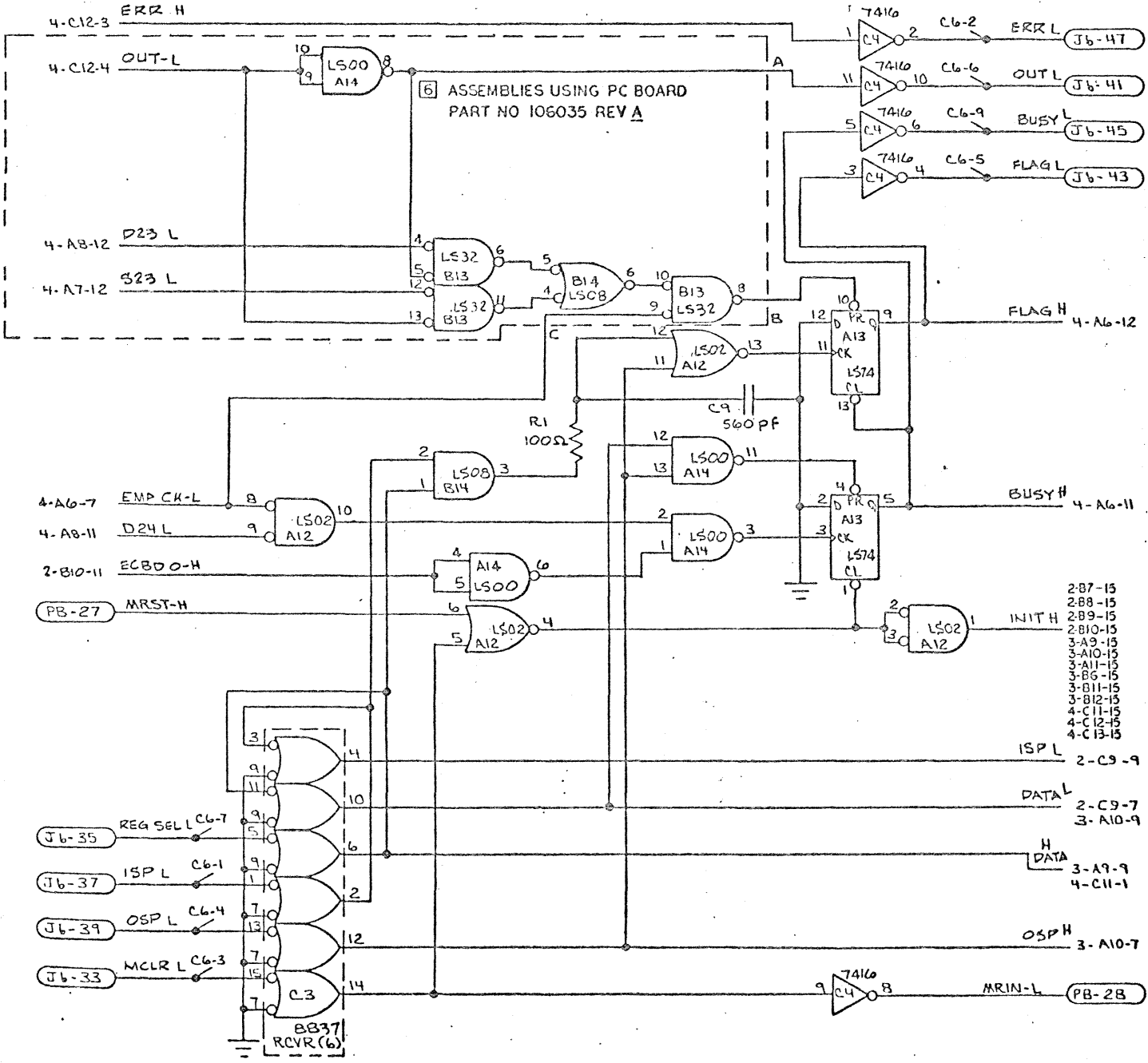
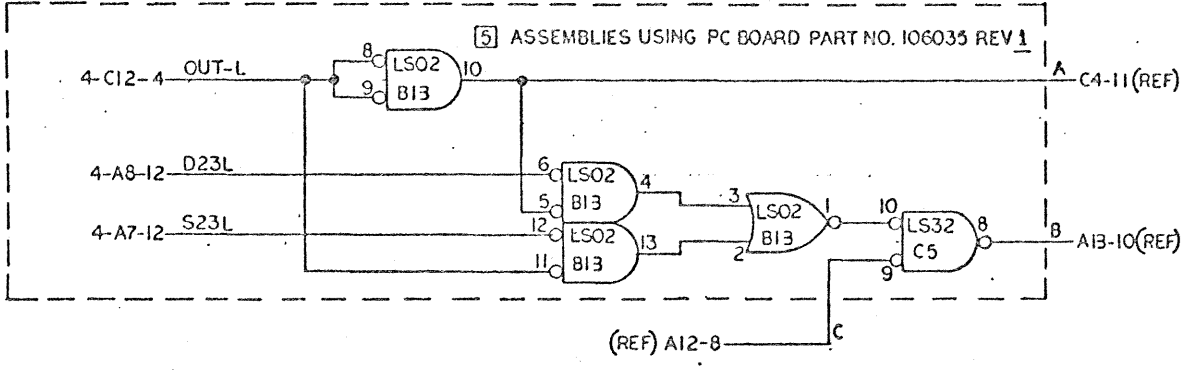


		TITLE MPIC INTERFACE MODULE	DRAWING NO. H0301	SCALE NONE	SIZE C	SHEET 4 OF 7
TOLERANCES UNLESS OTHERWISE SPECIFIED DEC .XX INC .XXX ANGLES .1	DATE 12-11-76	APPROVALS DRAWN CHECKED APP	DATE 12-11-76	CHECKED APP	DO NOT SCALE DRAWING	SHEET 4 OF 7

4
3
2
1
NEW XE 001C KUNGLER VELLUM 1021-10

REVISIONS
DESCRIPTION
LTR

XEROX SYSTEMS INCORPORATED		TITLE MPIC INTERFACE MODULE		REV B	
DATE 12-11-76		DRAWING NO. 106034		SHEET C	
APPROVALS		SCALE NONE		DO NOT SCALE DRAWING	
DESIGNED		PART		SHEET 5 OF 7	

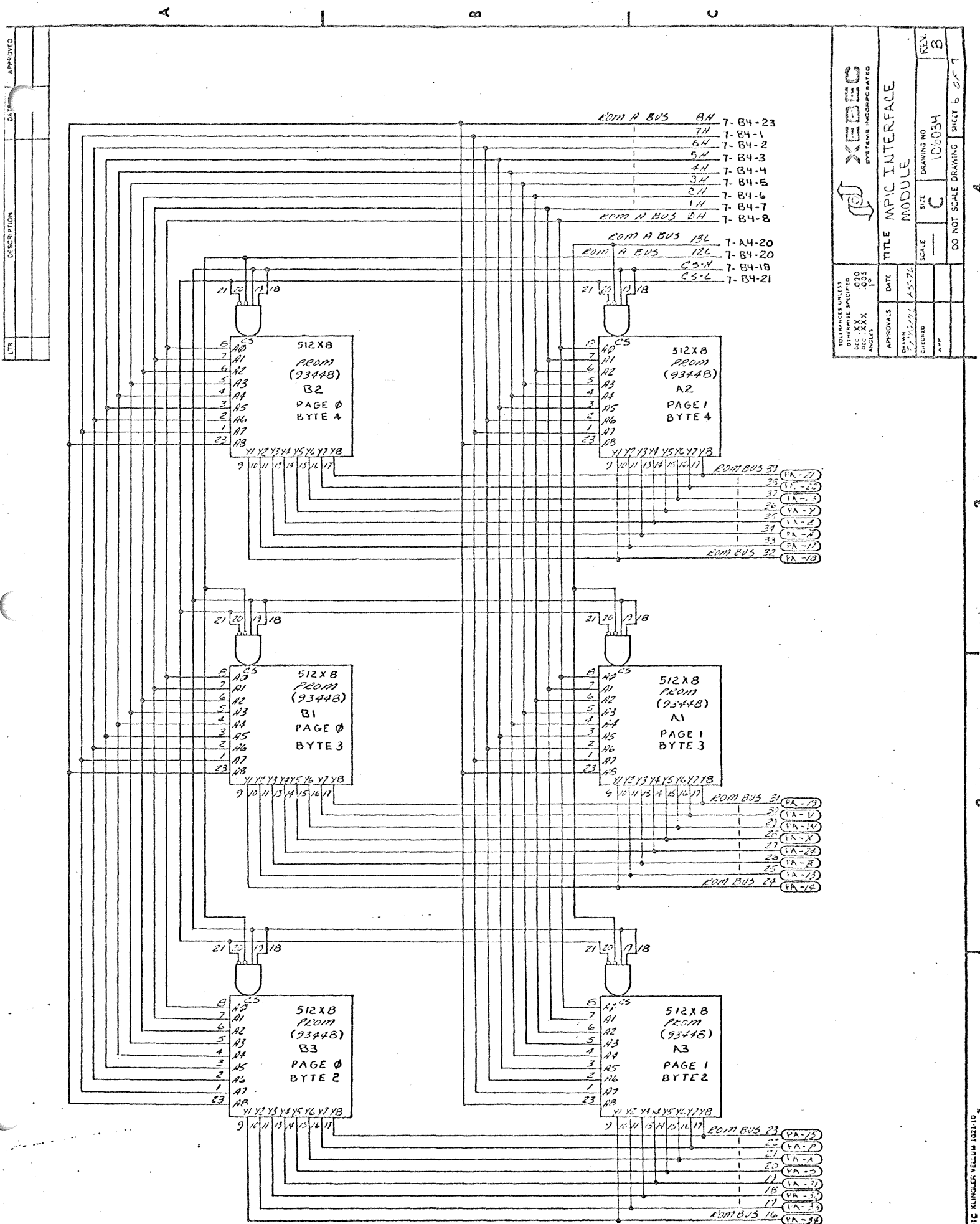


- 2-B7-15
- 2-B8-15
- 2-B9-15
- 2-B10-15
- 3-A9-15
- 3-A10-15
- 3-A11-15
- 3-B5-15
- 3-B11-15
- 3-B12-15
- 4-C11-15
- 4-C12-15
- 4-C13-15
- 2-C9-9
- 2-C9-7
- 3-A10-9
- 3-A9-9
- 4-C11-1
- 3-A10-7
- PB-28

APPROVED DATE

DESCRIPTION

LTR



- ROM A BUS A1 7-84-23
- 7H 7-84-1
- 6H 7-84-2
- 5H 7-84-3
- 4H 7-84-4
- 3H 7-84-5
- 2H 7-84-6
- 1H 7-84-7
- ROM A BUS A2 7-84-8
- ROM A BUS B1 7-A4-20
- ROM A BUS B2 7-84-20
- CS-H 7-84-18
- CS-L 7-84-21

KEEBO
SYSTEMS INCORPORATED

TOLERANCES UNLESS OTHERWISE SPECIFIED
DEC. XX .020
DEC. XXX .003
INCHES

APPROVALS DATE 1-25-72 1-25-72
DESIGN 1-25-72 1-25-72
CHECKED
DATE

TITLE MPIC INTERFACE MODULE


SCALE C

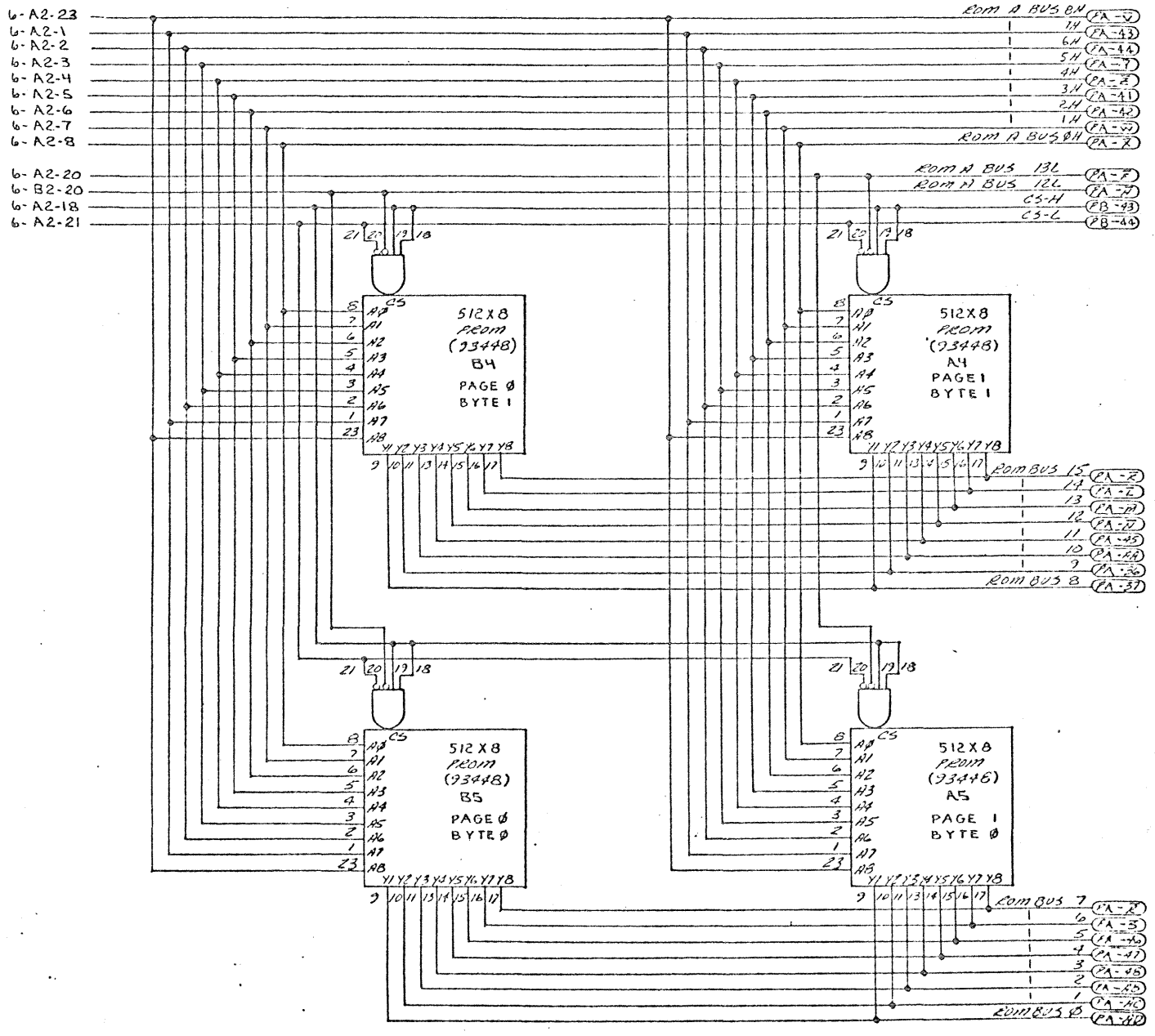
DRAWING NO. 106034

REV. B

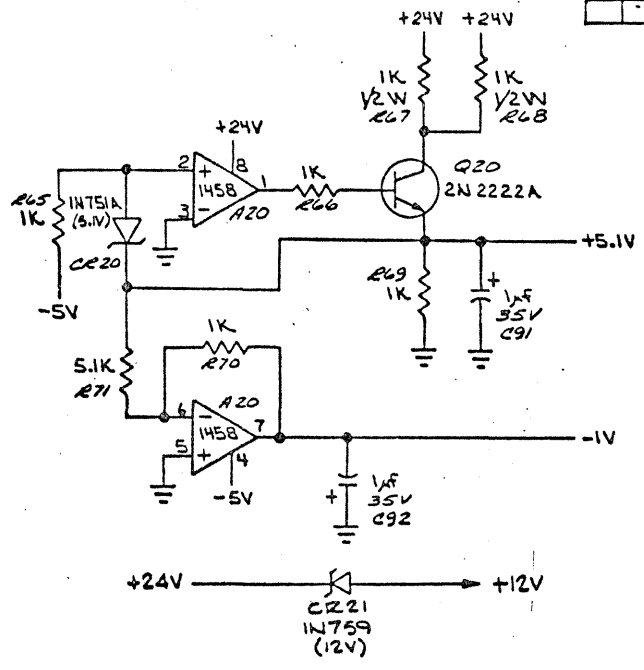
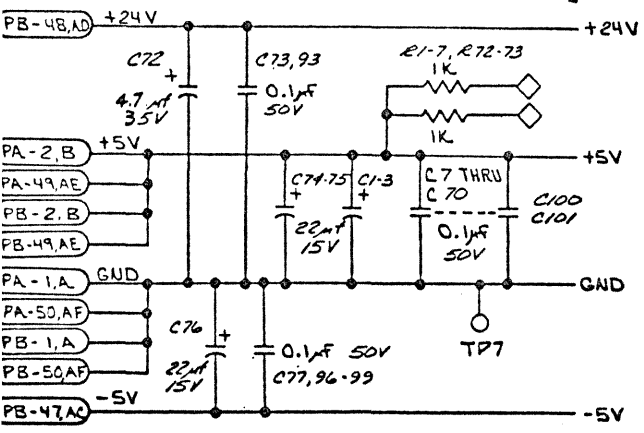
DO NOT SCALE DRAWING SHEET 6 OF 7

REVISIONS	DESCRIPTION	APPROVED
LTR		

 XEROX SYSTEMS INCORPORATED		TITLE	MPIC INTERFACE MODULE
		DATE	1/5/72
APPROVALS	DATE	CHECKED	DATE
SCALE	1	SIZE	C
DRAWING NO.	106034	REV.	5
DO NOT SCALE DRAWING		SHEET 7 OF 7	



REVISIONS		
LTR	DESCRIPTION	APPROVED
B	PROD RELEASE	



ANALOG POWER SUPPLY

- NOTES: UNLESS OTHERWISE SPECIFIED
1. ALL RESISTORS IN OHMS 1/4W, 5%.
 2. IC DEVICE TYPE LSXX = 74LSXX
SKXX = 74SXX

DEVICE	Vcc	GND	DEVICE	Vcc	GND
LS00	14	7	SK337	16	8
LS02	14	7	7410	14	7
LS04	14	7	7417	14	7
LS08	14	7	F9401	14	7
LS32	14	7	DM9602	16	8
LS74	14	7	LS151	16	8
LS85	16	8	LS164	14	7
LS86	14	7	LS193	16	8
LS109	16	8	SK124	5,16	8,9
LS132	14	7			
LS138	16	8			
LS153	16	8			
LS157	16	8			
LS163	16	8			
LS173	16	8			
LS194A	16	8			
LS241	20	10			
LS273	20	10			

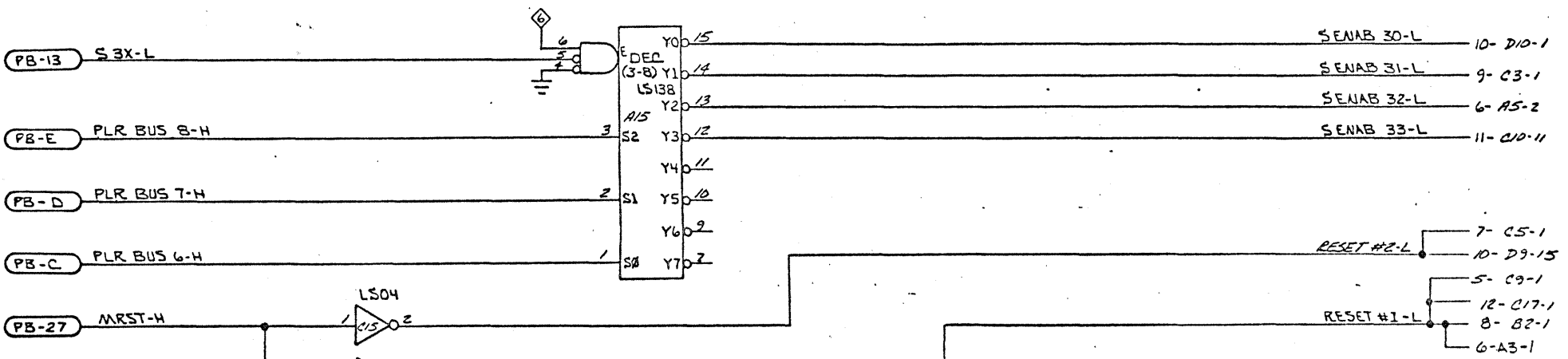
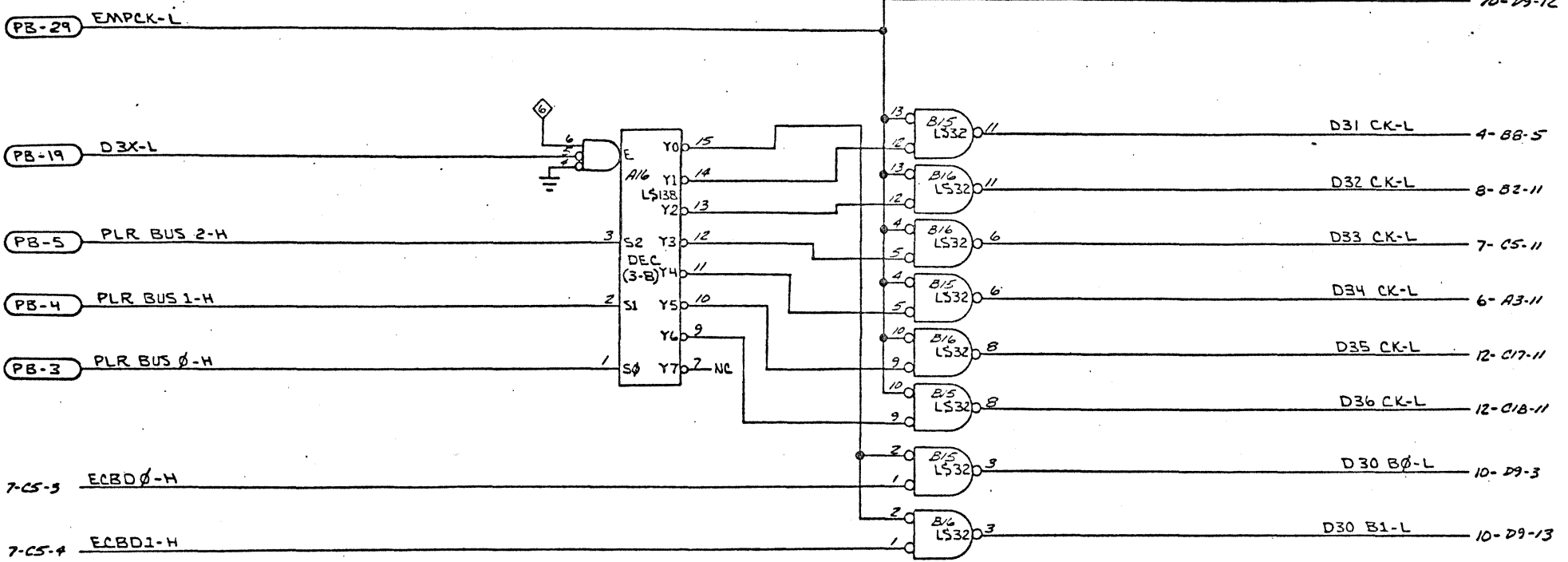
LAST USED	NOT USED
C103	C4, C5, C6
R24	
R79	
CR21	
Q20	
TP8	

TOLERANCES UNLESS OTHERWISE SPECIFIED DEC. XX .020 DEC. XXX .005 ANGLES 10					
APPROVALS	DATE			TITLE PERSONALITY MODULE FLEXIBLE DISK DRIVE	
DRAWN S.V.	12-76	SCALE NONE	SIZE C	DRAWING NO. 106090	REV. B
CHECKED		DO NOT SCALE DRAWING		SHEET 1 OF 14	

106041	1200A
NEXT ASSY.	USED ON

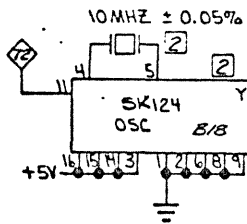
REVISIONS		
LTR	DESCRIPTION	APPROVED

EMPCK-L 10-D9-12

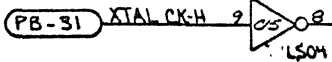


TOLERANCES UNLESS OTHERWISE SPECIFIED DEC .XX .020 DEC .XXX .005 ANGLES 1°			
APPROVALS	DATE	TITLE PERSONALITY MODULE FLEXIBLE DISK DRIVE	
DRAWN S.V.	12-76	SCALE NONE	SIZE C
CHECKED		DRAWING NO. 106090	REV. B
APP		DO NOT SCALE DRAWING SHEET 2 OF 14	

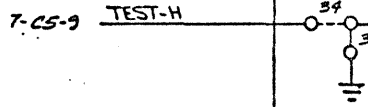
8-81-13 DD SELECT-H



8-81-12 DD SELECT-L



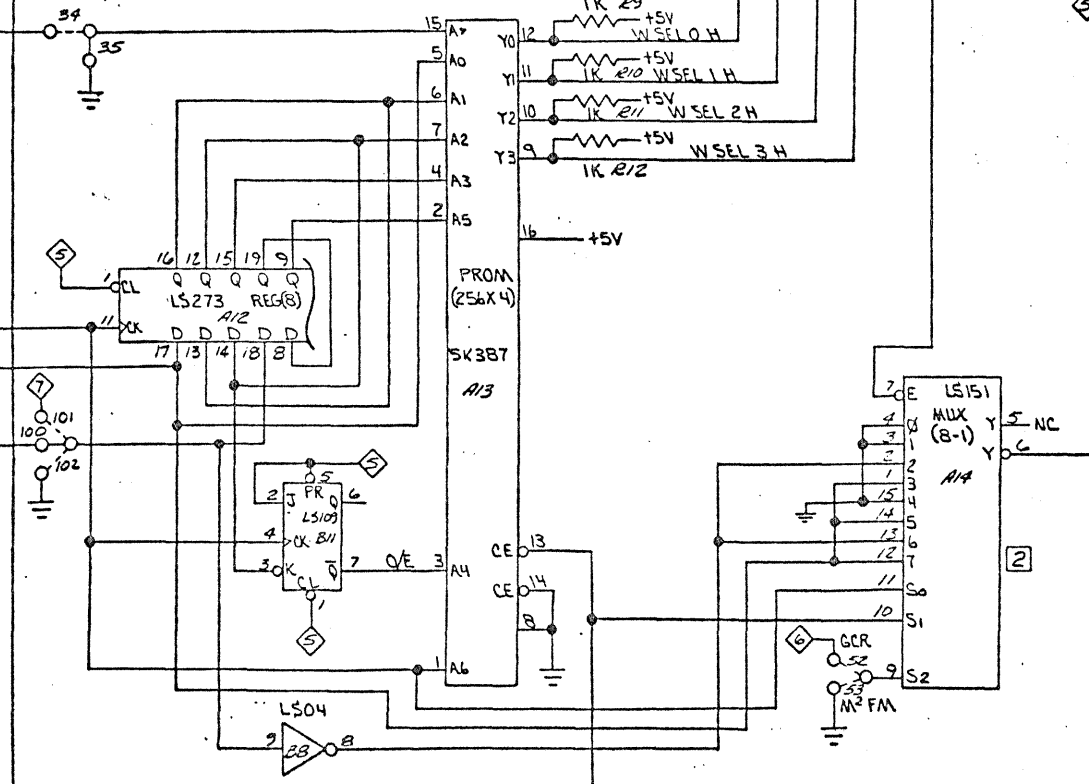
8-81-10 READ SEL-L



4-89-9 DR CK-H

6-A6-7 DATA BIT-H

6-A2-7 CLOCK BIT-H



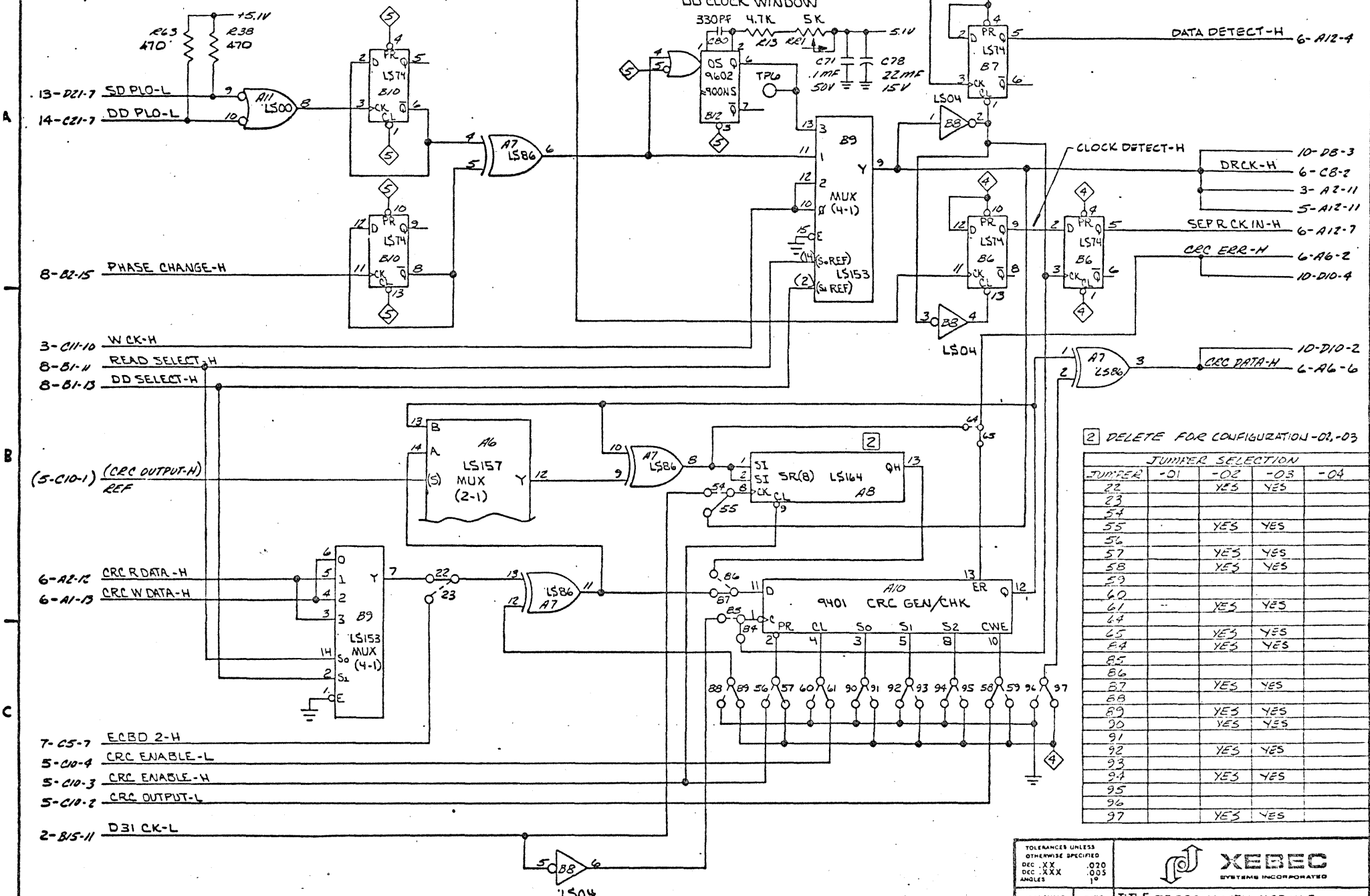
DATE	DESCRIPTION	TE	APPROVED
	GCR-L	5-CB-5	
	GCR-H	5-CB-3	

2 DELETE FOR CONFIGURATION -02, -03

JUMPER SELECTION				
JUMPER	-01	-02	-03	-04
29				
30		YES	YES	
34				
35		YES	YES	
52				
53				
62		YES	YES	
63				
76		YES	YES	
77				
78				
79		YES	YES	
80				
81		YES	YES	
82		YES	YES	
83		YES	YES	
100		YES	YES	
101				
102				
103				
104		YES	YES	

TOLERANCES UNLESS OTHERWISE SPECIFIED DEC .XX .020 DEC .XXX .005 ANGLES 10°			
APPROVALS	DATE	TITLE PERSONALITY MODULE FLEXIBLE DISK DRIVE	
DRAWN S.V.	12-76	SCALE NONE	DRAWING NO. 106040
CHECKED		SIZE C	REVISION B
APP		DO NOT SCALE DRAWING SHEET 3 OF 14	

8-03-3 DATA IN-L



[2] DELETE FOR CONFIGURATION -01, 03

JUMPER SELECTION				
JUMPER	-01	-02	-03	-04
22		YES	YES	
23				
24				
55		YES	YES	
56				
57		YES	YES	
58		YES	YES	
59				
60				
61		YES	YES	
64				
65		YES	YES	
64		YES	YES	
85				
86				
87		YES	YES	
88				
89		YES	YES	
90		YES	YES	
91				
92		YES	YES	
93				
94		YES	YES	
95				
96				
97		YES	YES	

TOLERANCES UNLESS OTHERWISE SPECIFIED		XEBEC SYSTEMS INCORPORATED	
DEC. XX	070	TITLE PERSONALITY MODULE FLEXIBLE DISK DRIVE	
DEC. XXX	005		
ANGLES	10	APPROVALS	DATE
DRAWN	S.V. 12-76	REV. B	
CHECKED		SCALE	SIZE
APP		NONE	C
		DRAWING NO.	106090
DO NOT SCALE DRAWING SHEET 4 OF 14			

-B2-16 SERIAL TRANSFER-H

-B9-9 DR CK-H

-C14-9 GCR-H

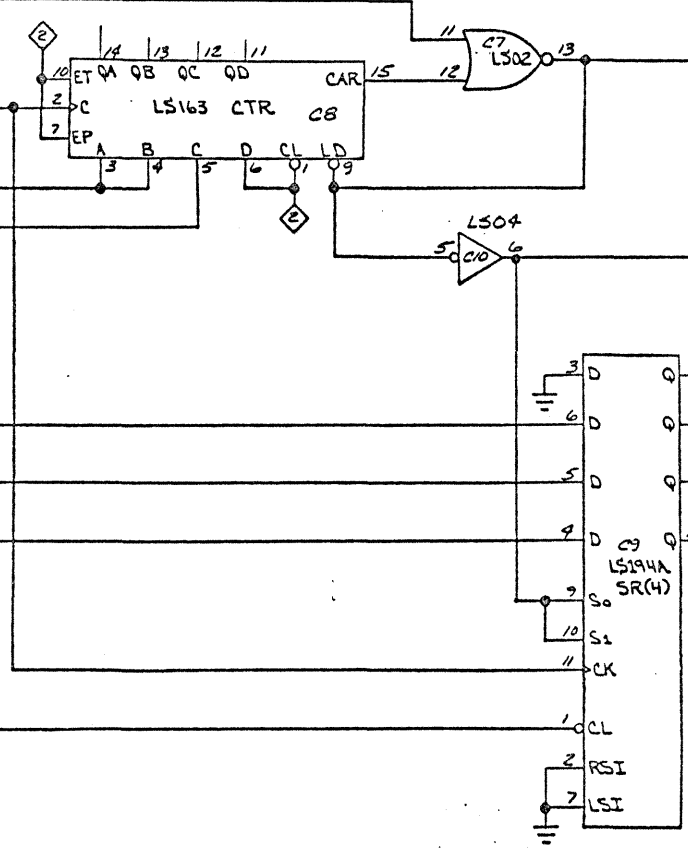
-C14-8 GCR-L

-B2-2 WRITE GATE IN-H

-B2-5 CRC OUTPUT IN-H

-B2-6 CRC ENABLE IN-H

-C15-4 RESET-H/L



REG LOAD-L
6-A11-1
10-C7-3

REG LOAD-H
10-DB-2

WRITE GATE-H
8-B4-1

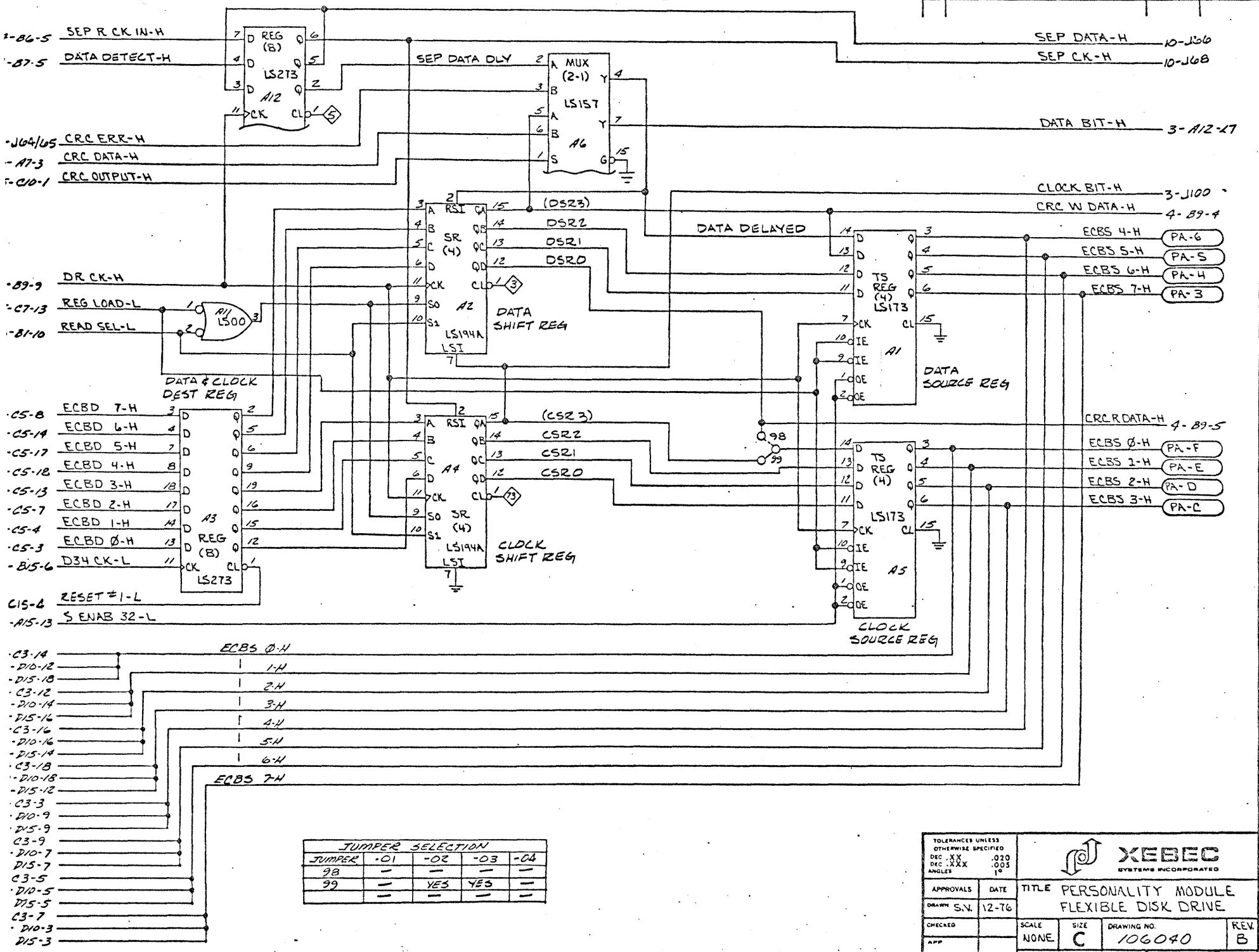
CRC OUTPUT-H
6-A6-1

CRC ENABLE-H
4-AB-9

CRC OUTPUT-L
4-J5B

CRC ENABLE-L
4-J61

TOLERANCES UNLESS OTHERWISE SPECIFIED DEC .XX .020 DEC .XXX .005 ANGLES 1°			
APPROVALS	DATE	TITLE PERSONALITY MODULE FLEXIBLE DISK DRIVE	
DRAWN SV	12-76	SCALE NONE	SIZE C
CHECKED		DRAWING NO. 106040	REV. B
APP		DO NOT SCALE DRAWING SHEET 5 OF 14	

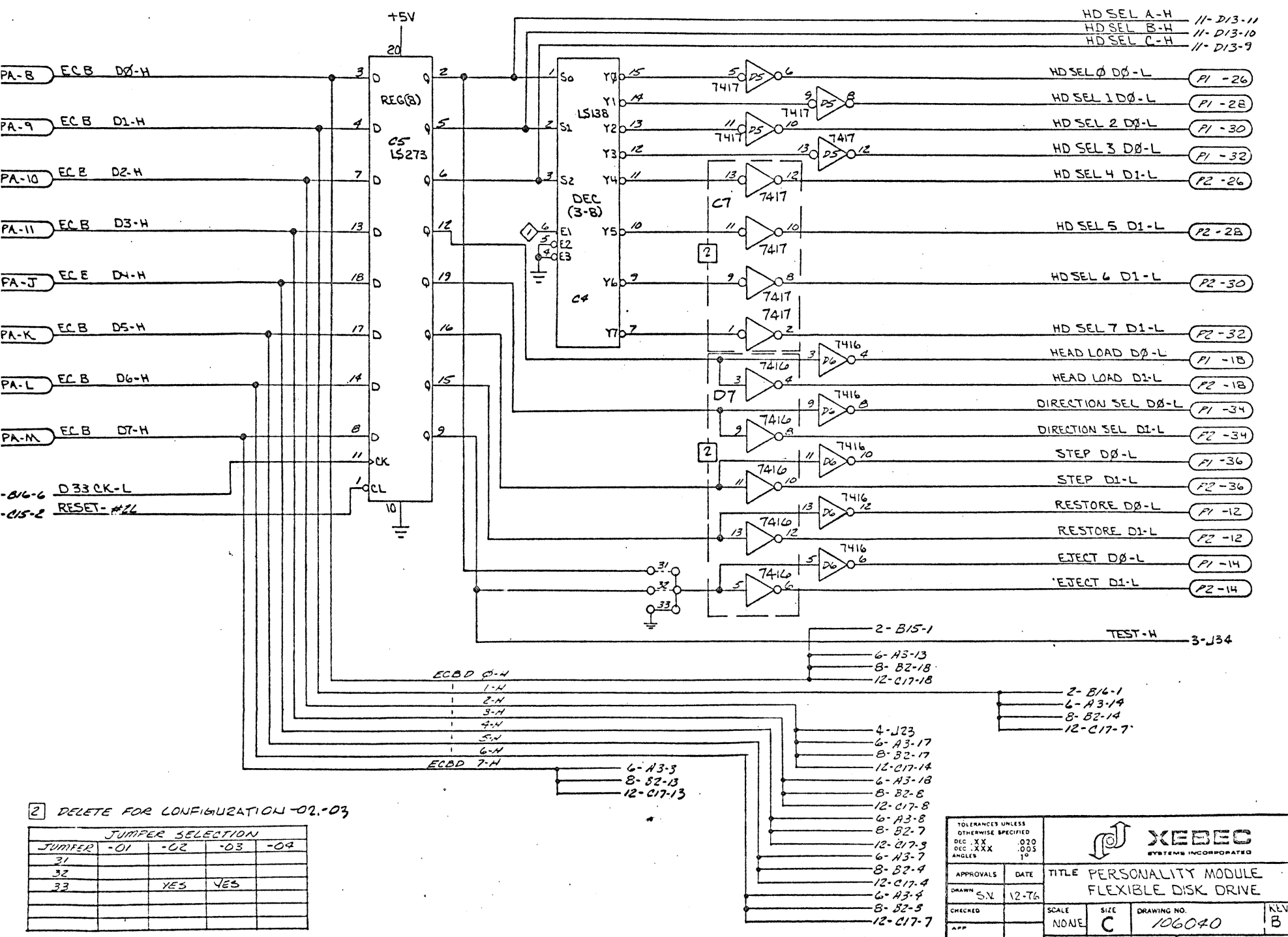


- 1-86-5 SEP R CK IN-H
- 1-87-5 DATA DETECT-H
- J64/J65 CRC ERR-H
- A7-3 CRC DATA-H
- C10-1 CRC OUTPUT-H
- 89-9 DR CK-H
- C7-13 REG LOAD-L
- B1-10 READ SEL-L
- C5-8 ECBD 7-H
- C5-14 ECBD 6-H
- C5-17 ECBD 5-H
- C5-18 ECBD 4-H
- C5-13 ECBD 3-H
- C5-7 ECBD 2-H
- C5-4 ECBD 1-H
- C5-3 ECBD 0-H
- B15-6 D34 CK-L
- C15-4 RESET #1-L
- A15-13 S ENAB 32-L

- C3-14 ECBS 0-H
- D10-12 1-H
- D15-18 2-H
- C3-12 3-H
- D10-14 4-H
- C3-16 5-H
- D10-16 6-H
- D15-14 7-H
- C3-18
- D10-18
- D15-12
- C3-3
- D10-9
- D15-9
- C3-9
- D10-7
- D15-7
- C3-5
- D10-5
- D15-5
- C3-7
- D10-3
- D15-3

JUMPER SELECTION				
JUMPER	-01	-02	-03	-04
98	—	—	—	—
99	—	YES	YES	—

TOLERANCES UNLESS OTHERWISE SPECIFIED					
DEC .XX	.020				
DEC .XXX	.005	PERSONALITY MODULE FLEXIBLE DISK DRIVE			
ANGLES	10°	DRAWING NO. 106040			
APPROVALS	DATE	SCALE	SIZE	DRAWING NO.	REV.
	12-76	NONE	C	106040	B
CHECKED					
APP					
DO NOT SCALE DRAWING SHEET 6 OF 14					

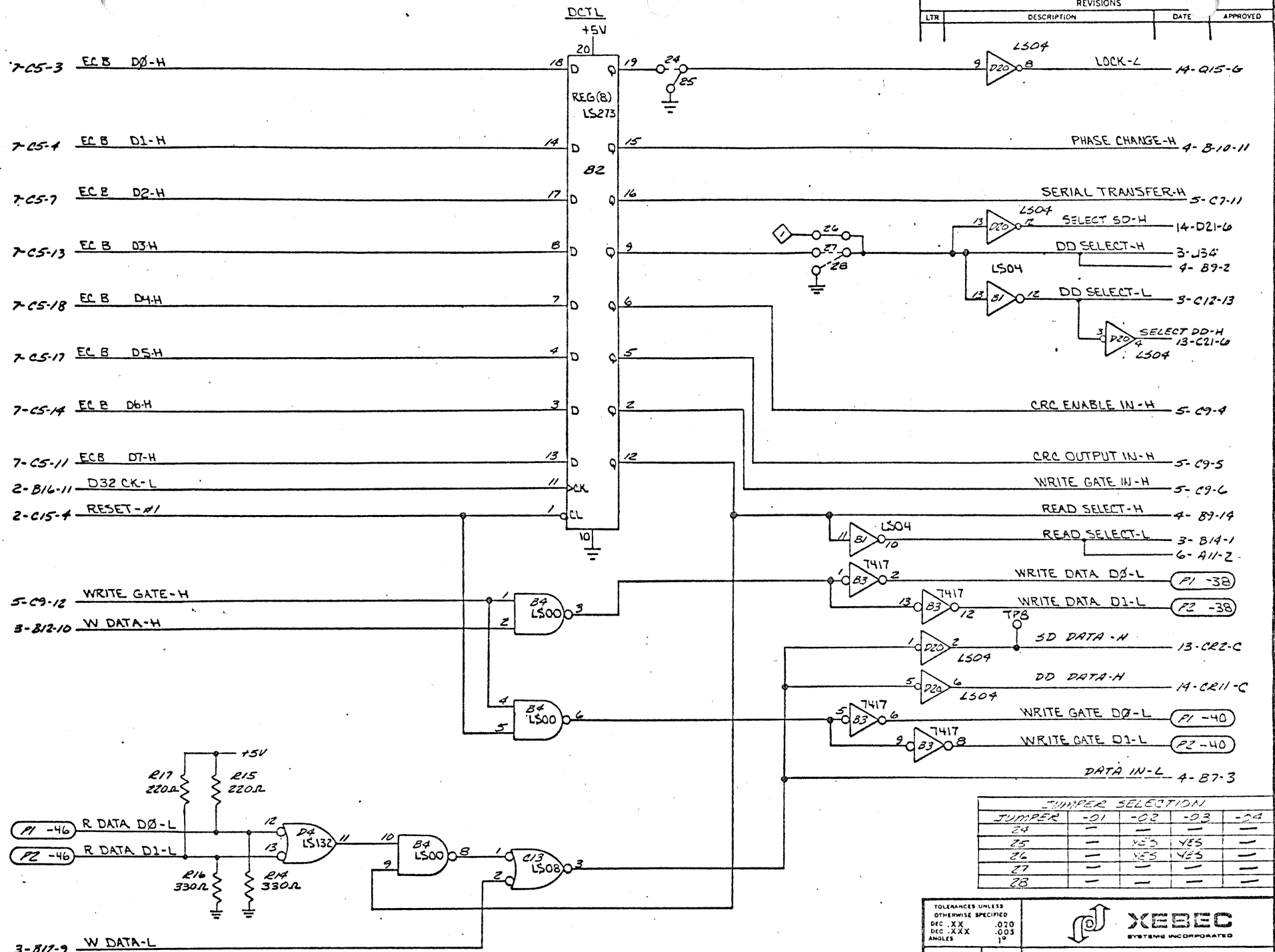


2 DELETE FOR CONFIGURATION 02-03

JUMPER SELECTION				
JUMPER	-01	-02	-03	-04
31				
32				
33		YES	YES	

TOLERANCES UNLESS OTHERWISE SPECIFIED			
DEC .XX	.020		
DEC .XXX	.005	TITLE PERSONALITY MODULE FLEXIBLE DISK DRIVE	
ANGLES	10°	APPROVALS	DATE
		DRAWN S.N.	12-76
CHECKED		SCALE	SIZE
APP		NONE	C
		DRAWING NO.	106040
		KLV	B
DO NOT SCALE DRAWING SHEET 7 OF 14			

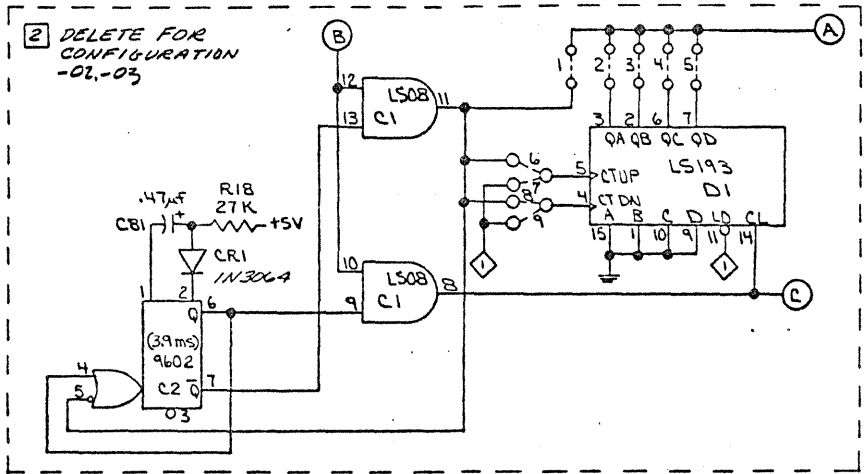
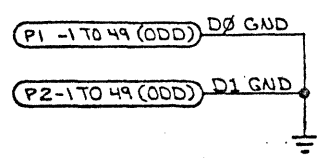
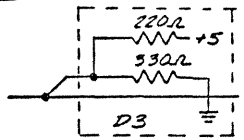
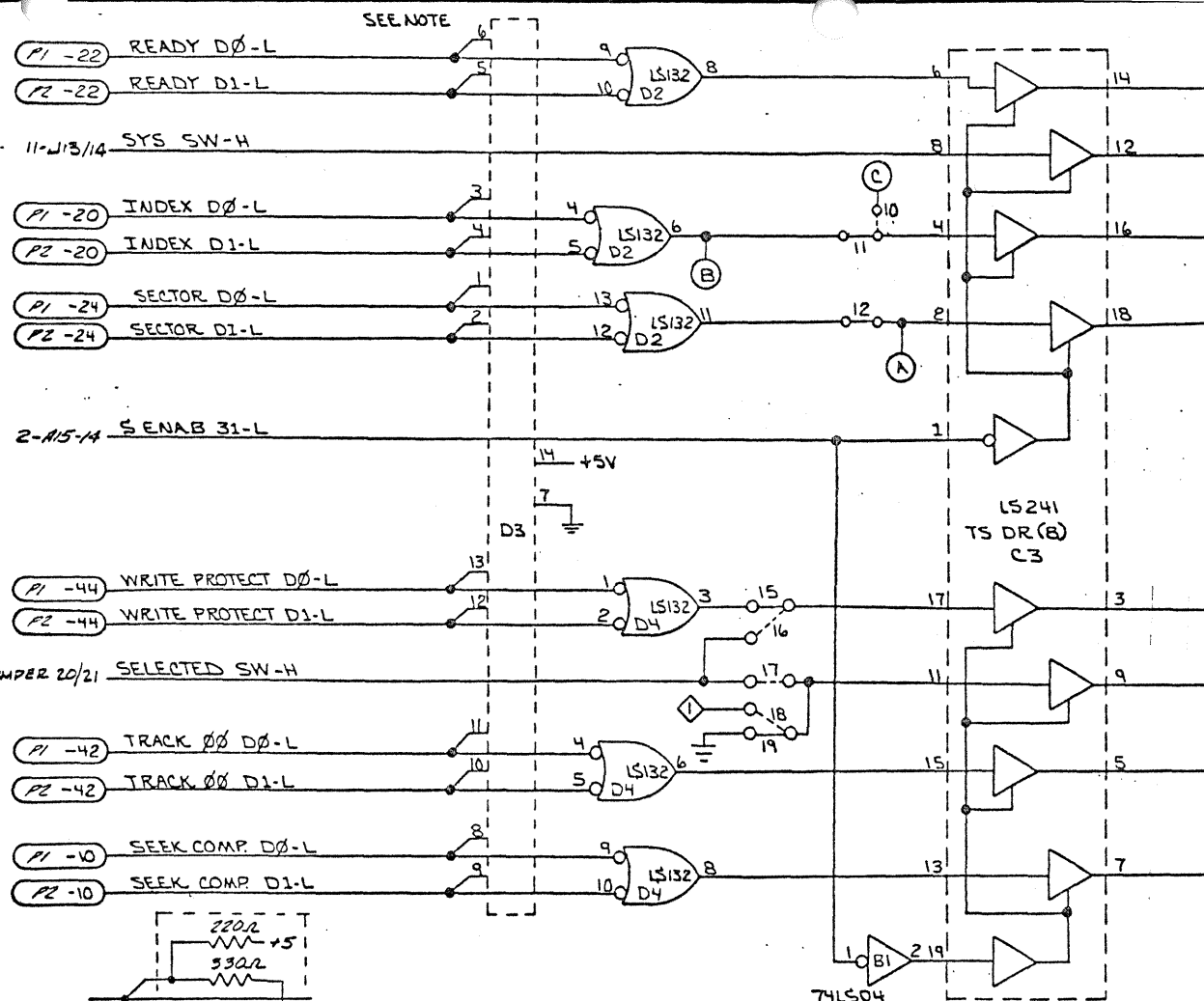
REVISIONS			
LTR	DESCRIPTION	DATE	APPROVED



JUMPER SELECTION				
JUMPER	-01	-02	-03	-04
24	—	—	—	—
25	—	YES	YES	—
26	—	YES	YES	—
27	—	—	—	—
28	—	—	—	—

<small> TOLERANCES UNLESS OTHERWISE SPECIFIED DEC. XX .020 DEC. XXX .005 ANGLES 10° </small>			
APPROVALS	DATE	TITLE PERSONALITY MODULE	
DRAWN S.V.	12-76	FLEXIBLE DISK DRIVE	
CHECKED		SCALE NONE	SIZE C
APP		DRAWING NO. 106040	REV. B
DO NOT SCALE DRAWING SHEET B OF 14			

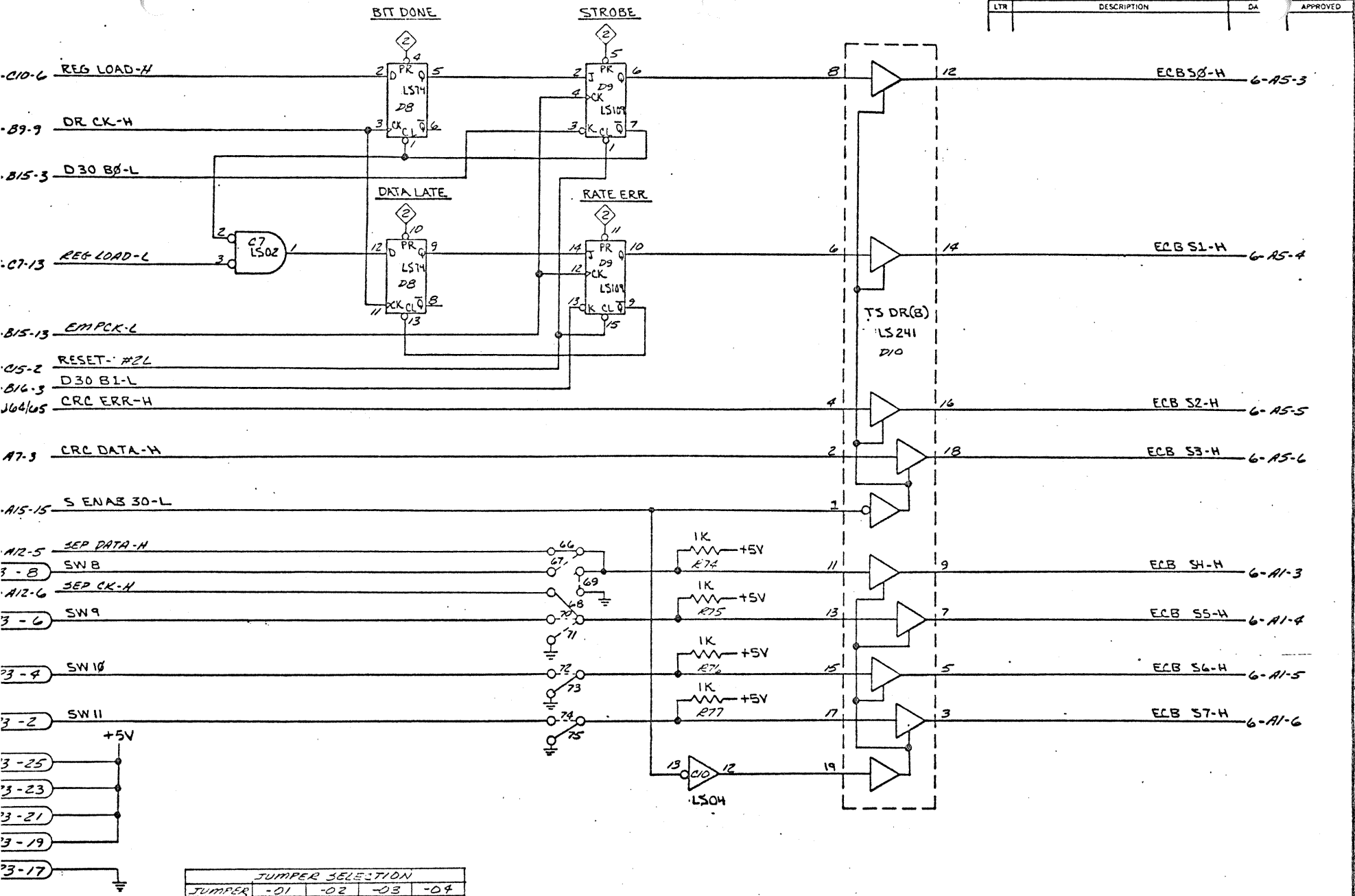
3-812-9 W DATA-L



JUMPER	-01	-02	-03	-04
1				
2				
3				
4				
5				
6				
7				
8				
9				
10				
11		YES	YES	
12		YES	YES	
15		YES	YES	
16				
17				
18			YES	
19		YES		

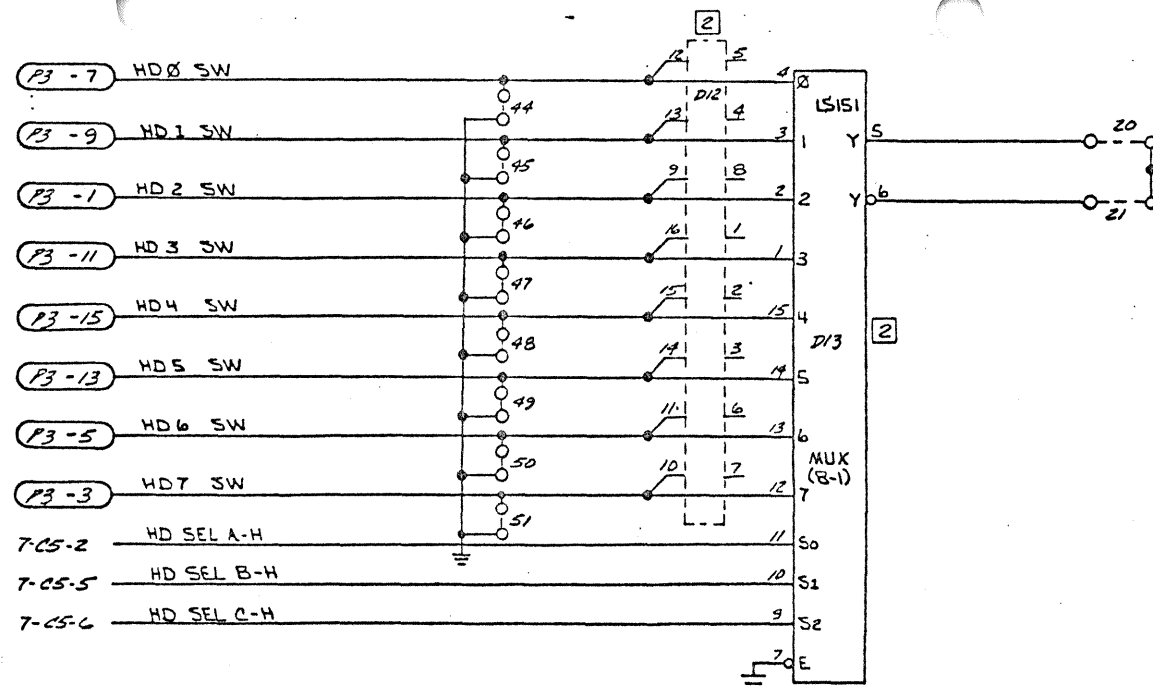
TOLERANCES UNLESS OTHERWISE SPECIFIED DEC .XX .020 DEC .XXX .005 ANGLES 10°					
APPROVALS	DATE			TITLE PERSONALITY MODULE FLEXIBLE DISK DRNE	
DRAWN S.V.	12-76	SCALE NONE	SIZE C	DRAWING NO. 106040	REV. B
CHECKED		DO NOT SCALE DRAWING		SHEET 9 OF 14	

REVISIONS			
LTR	DESCRIPTION	DA	APPROVED



JUMPER	-01	-02	-03	-04
66		YES	YES	
67		YES	YES	
68		YES	YES	
69				
70				
71				
72				
73		YES	YES	
74				
75		YES	YES	

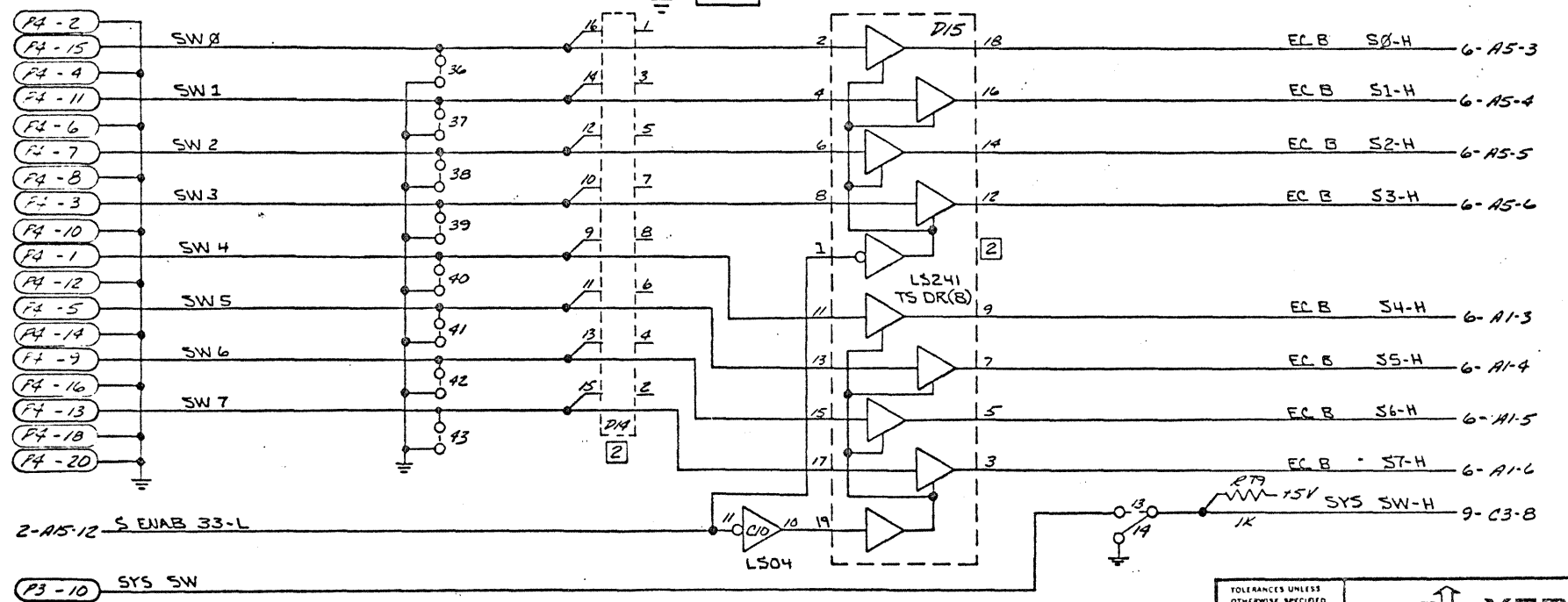
TOLERANCES UNLESS OTHERWISE SPECIFIED			
DEC .XX	.020		
DEC .XXX	.005	TITLE PERSONALITY MODULE FLEXIBLE DISK DRIVE	
ANGLES	15°	APPROVALS	DATE
DRAWN	S.V. 12-76	SCALE	SIZE
CHECKED		NONE	C
APP		DRAWING NO.	REV.
		106090	B
DO NOT SCALE DRAWING			SHEET 10 OF 14



SELECTED SW-H 9-JUNPER 16/17

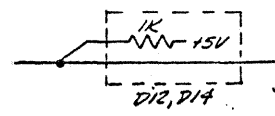
2 DELETE FOR CONFIGURATION -02, -03

JUMPER SELECTION				
JUMPER	-01	-02	-03	-04
13				
14		YES	YES	
20				
21				
36				
37				
38				
39				
40				
41				
42				
43				
44				
45				
46				
47				
48				
49				
50				
51				



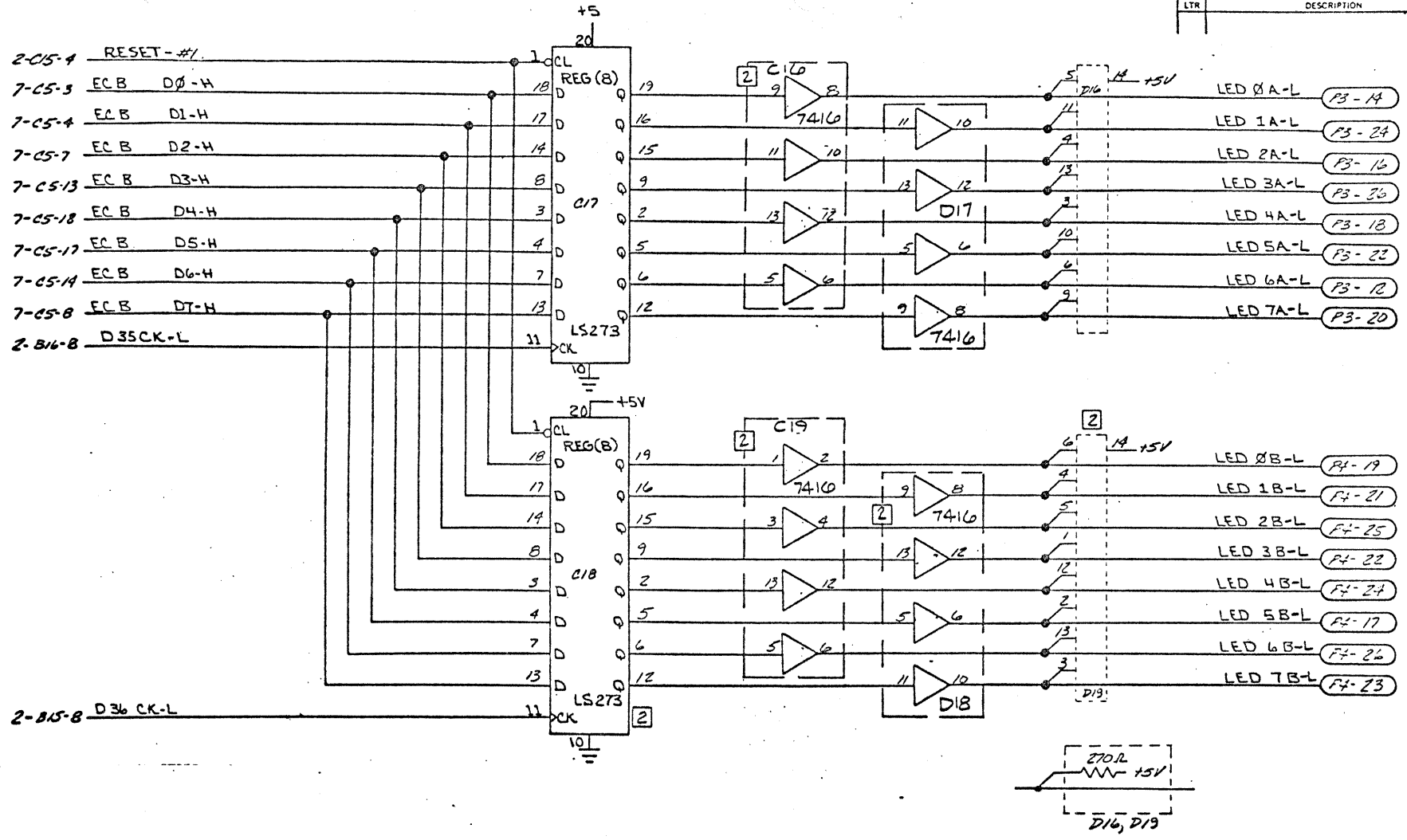
2-A15-12 S ENAB 33-L

P3-10 SYS SW



TOLERANCES UNLESS OTHERWISE SPECIFIED			
DEC .XX	.020		
DEC .XXX	.005	TITLE PERSONALITY MODULE FLEXIBLE DISK DRIVE	
ANGLES	1°	DRAWING NO. 106040	
APPROVALS	DATE	SCALE NONE	SIZE C
DRAWN S.V.	12.7.6	REV. B	
CHECKED		DO NOT SCALE DRAWING	
APP		SHEET 11 OF 14	

REVISIONS			
LTR	DESCRIPTION	DATE	APPROVED

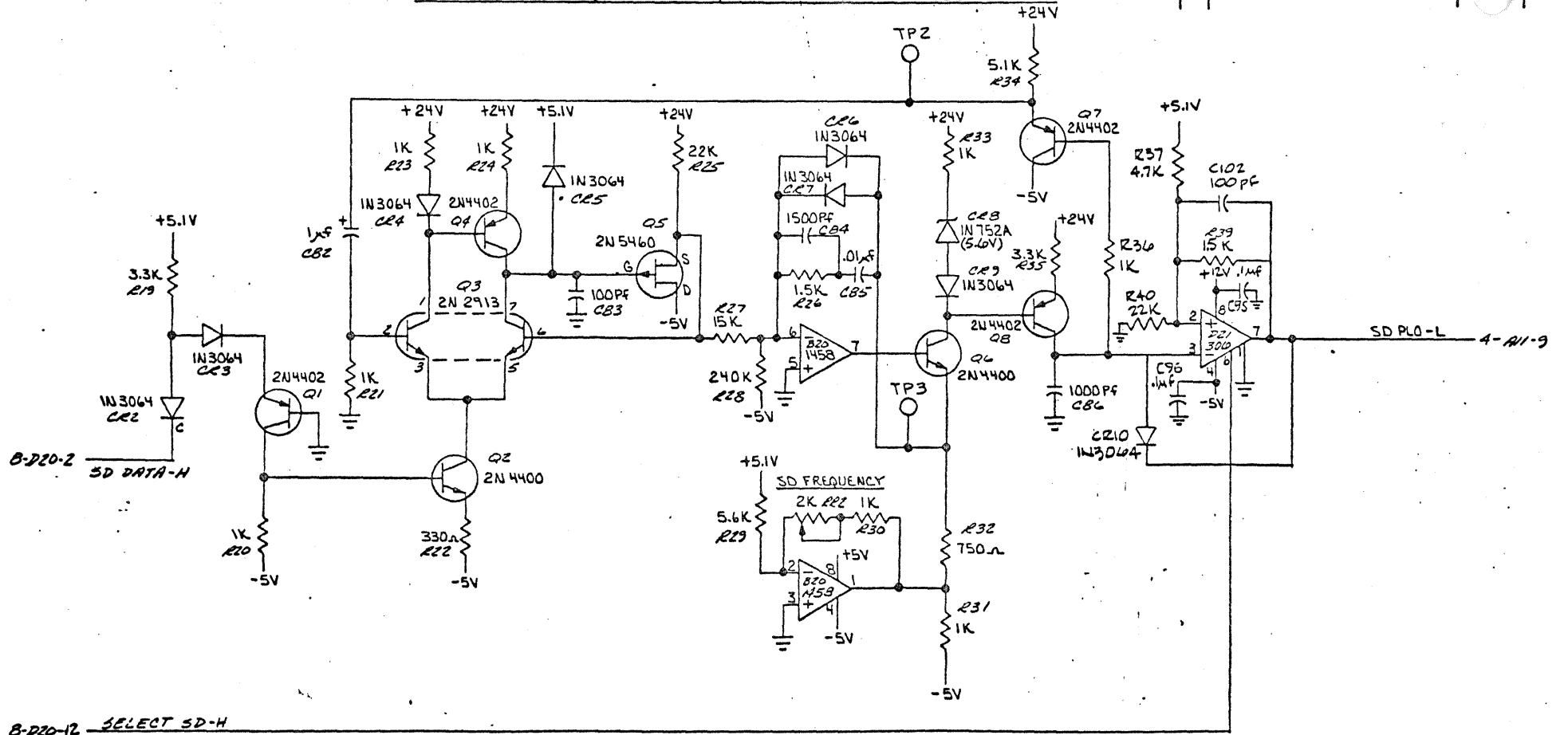


[2] DELETE FOR CONFIGURATION -02,-03

TOLERANCES UNLESS OTHERWISE SPECIFIED DEC .XX .020 DEC .XXX .005 ANGLES 1°					
APPROVALS	DATE			TITLE PERSONALITY MODULE FLEXIBLE DISK DRIVE	
DRAWN	S.V. 12-76	SCALE	SIZE	DRAWING NO.	REV.
CHECKED		NONE	C	106040	B
APP		DO NOT SCALE DRAWING		SHEET 12 OF 14	

SINGLE DENSITY (DOUBLE FREQUENCY) PFM - LOCK OSCILLATOR

LTR	DESCRIPTION	APPROVED
-----	-------------	----------



B-D20-2 SD DATA-H

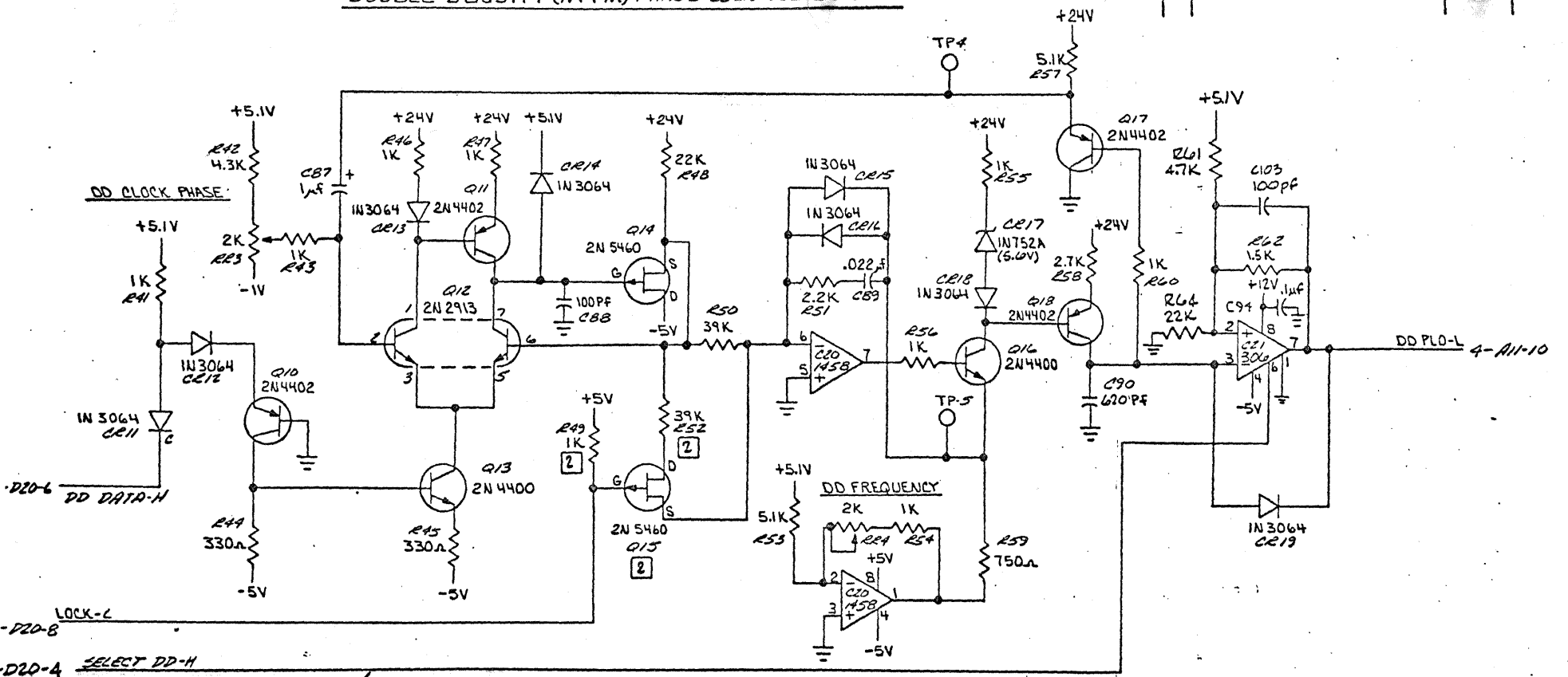
B-D20-12 SELECT SD-H

2 DELETE THIS SHEET FOR CONFIGURATION -02, -03

TOLERANCES UNLESS OTHERWISE SPECIFIED					
DEC. XX	.020				
DEC. XXX	.005				
ANGLES	1°				
APPROVALS	DATE	TITLE PERSONALITY MODULE			
DRAWN S.V.	12-76	FLEXIBLE DISK DRIVE			
CHECKED		SCALE	SIZE	DRAWING NO.	REV.
APP		NONE	C	106040	B
		DO NOT SCALE DRAWING		SHEET 13 OF 14	

DOUBLE DENSITY (M²FM) PHASE LOCK OSCILLATOR

LTR	DESCRIPTION	APPROVED
-----	-------------	----------



2

2 DELETE FOR CONFIGURATION -02, -03

TOLERANCES UNLESS OTHERWISE SPECIFIED			
DEC. XX	.020		
DEC. XXX	.005	TITLE PERSONALITY MODULE FLEXIBLE DISK DRIVE	
ANGLES	1°	APPROVALS	DATE
		SCALE	SIZE
		DRAWN	DRAWING NO.
		CHECKED	REV.
		APP	
		DO NOT SCALE DRAWING SHEET 14 OF 14	