

Automotive Connectors

Overview T-2

OBD-II Connectors T-3 to T-7

1.00mm (.039") Diameter Wire-to-Wire/Wire-to-Board Connectors

Round Crimp Terminals T-8 to T-9

Receptacle and Plug with Seal and Terminal Retainers . . T-10 to T-11

Single and Dual Row Receptacles and Headers T-12 to T-15

2.30mm (.090") Tab-Style Wire-to-Wire Connectors

Terminals T-16 to T-17

Receptacles T-18

Plugs T-19

6.00mm (.236") Tab-Style Wire-to-Wire Connectors

Terminals T-20 to T-22

Receptacles T-23 to T-26

Plugs T-27 to T-30

Mini-T Terminal T-31

Mini Splash Proof Connectors

Terminals T-32 to T-33

Receptacles T-34 to T-35

Plugs T-36 to T-37

Splash Proof Connectors

Terminals T-38 to T-39

Receptacles T-40

Plugs T-41



For more information, please see the last page of the catalog for the location nearest you or contact:

Molex is a major force in the global automotive interconnection business. For good reason. We offer vehicle manufacturers and their suppliers comprehensive capabilities, from extensive research and development to design engineering, rapid prototyping and high-volume production. And, as the world's number two connector manufacturer, we apply breakthroughs in non-automotive technology to the car.

With 115 facilities in 21 countries on six continents, Molex designs, manufactures and services customers everywhere they manufacture and assemble.

Our automotive design teams in Technical Centers around the world are linked electronically to share expertise and expedite development. All of our manufacturing sites are ISO 9000 and QS 9000 certified.

The average new vehicle today contains twice as many Molex connectors as only three years ago. As electronic content increases, Molex is responding with innovative products that simplify the electrical distribution systems in vehicles, significantly reduce weight and packaging space, and boost performance and reliability. Many products incorporate our proprietary technologies in shielding, filtering and assembly.

Our 1999 acquisition of Cardell Corporation further broadened our product range, especially in terminal systems, and gave us a strong Detroit manufacturing base, with particular capability in insert molding. In addition, through Origin Modular Interconnects, Inc.—our joint venture with Sheldahl, Inc.—we are applying new flex circuitry technology to replace wire harnesses with lighter, space-saving flex-based harnessing systems.

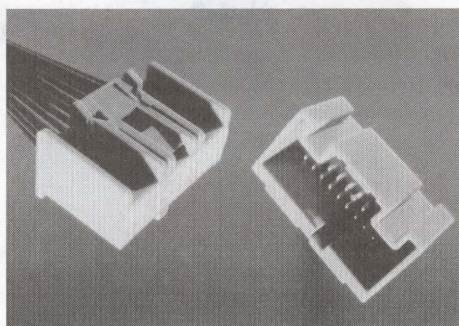
As a technology and new product resource for the world's major vehicle manufacturers and Tier 1 suppliers, Molex provides interconnects and systems for virtually every part of a vehicle, bumper to bumper.



Safety

Air bags, ABS brakes, vehicle stability systems and other passenger safety equipment have become essential to the appeal and function of today's vehicles. Molex connectors provide the reliability and performance demanded by these often life-saving devices.

For that reason, we continuously improve our safety equipment connectors through extensive R&D, stringent quality controls in every phase of development and manufacture, and extensive reliability testing at our internal laboratories. Our engineers employ advanced quality planning disciplines throughout the development process and carefully design and optimize manufacturing systems for high quality and productivity.



Driver Information Systems/Audio/Air Control

Drivers want the comforts of home and the communications technology of an office with them on the road. For that reason, navigation devices, vehicle information centers, cellular phones, audio systems and individual passenger HVAC are reshaping the passenger compartment.

Molex's success in connector miniaturization gives automotive packaging designers space-saving ideas. For example, designers increasingly are choosing Molex connectors for telematic applications such as Driver Information Systems, Intelligent Vehicle Highway Systems, Global Positioning Systems, emergency locator systems and silent anti-theft systems. We also offer connectors for multi-disk CD changers and in-steering-wheel audio and climate controls. In addition, our strong position in cellular phone connectors extends to in-vehicle applications such as phone cradles and headsets that provide hands-free communication while driving.

Molex's groundbreaking work with consumer electronics manufactures over the past decade has led to dramatic reductions in the size and weight of products such as camcorders and cellular phones, while increasing the number of circuits. We have applied these advances to decreasing the space required by connectors in driver information, audio and air-control systems.

Molex is an active participant in a variety of industry standards committees whose focus is telematics, the term for automotive multimedia. Committees such as the SAE/Intelligent Data Bus MOST (media oriented systems transport) and IEEE 1394 are working to define the standards that will enable integrated voice, video and data communication within the vehicle. Drivers and passengers will be able to power devices such as hands-free cellular phones, PDAs, laptops, video games and movies through the vehicle's electronic systems. Whether the devices are embedded into the vehicle or hot plug and play, Molex is at the forefront of developing the proper optical and copper interconnects.

Control Modules

For the next generation of control module connectors, Molex is now addressing design challenges such as reducing pin size to yield higher pin densities and combating the high vibration and temperature conditions of on-engine applications.

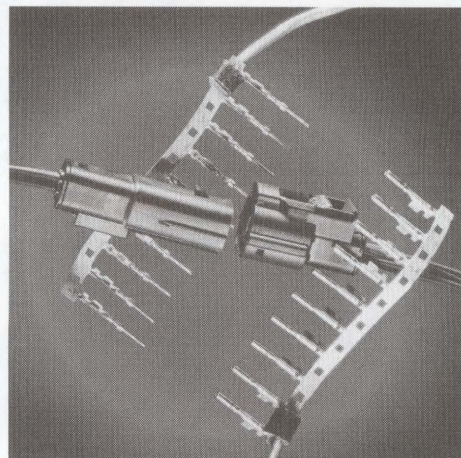
Molex also produces a variety of control module connectors for ABS, electronic hydraulic power steering units, and memory feeds for seats, mirrors and other passenger conveniences.

Body-Chassis

Molex manufactures connectors for body and chassis harnesses that perform under the harshest conditions. We employ the latest technology to advance our molding, stamping, plating and assembly processes to produce rugged, durable connectors that withstand the rigors of the assembly environment and the road.

With the trend toward more electronics-incorporated vehicles, Molex has played a key role in developing connectors for electronic control modules. These include manufacturing the housing and I/O connectors that control alarm systems, door zone functions, trunk openings and mirror movement. In many cases, Molex can combine separate parts into a single insert molding or assembly.

Other Molex products for body and chassis applications include electrical junction boxes that integrate connectors, fuses, busses and relays into a complete system, as well as plastic fuel pump flange assemblies, which are lighter in weight and a cost effective alternative to steel.



FEATURES AND SPECIFICATIONS

Reference Information

Product Specification: PS-50420
 Packaging: Reel
 Use With: 51115 and 51116
 Designed In: Millimeters

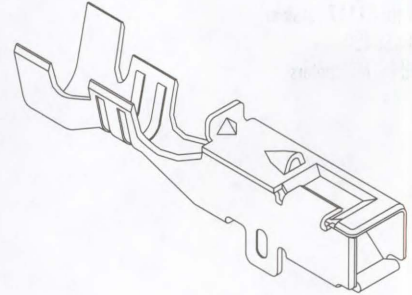
Electrical

Voltage: 30V
 Current: 4.0A
 Contact Resistance: 100mΩ max.
 Dielectric Withstanding Voltage: 1000V
 Insulation Resistance: 100 MΩ min.

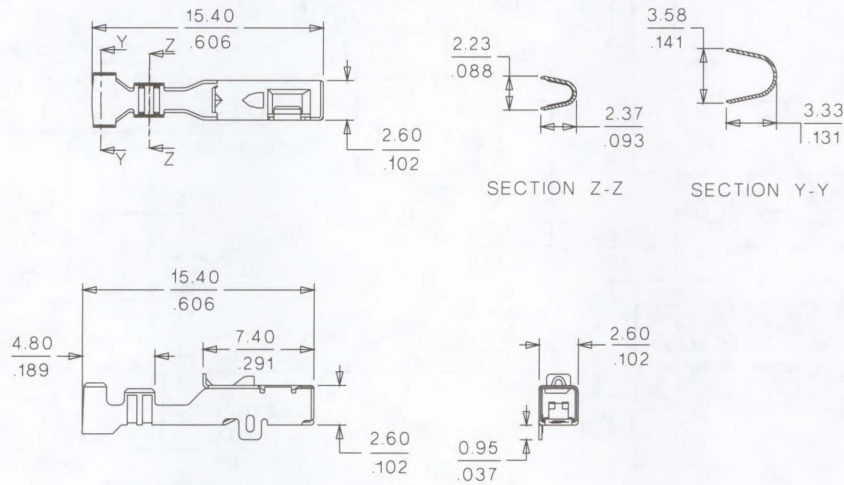
Physical

Contact: Phosphor Bronze
 Plating: Tin
 Operating Temperature: -40 to +85°C

molex® **OBD-II**
Wire-to-Wire
Terminal
50420



CATALOG DRAWING (FOR REFERENCE ONLY)



ORDERING INFORMATION

Order No.	Wire Range
50420-8000	AVS 0.30 to 0.85
	AVS 0.30f to 0.75f
	AVSS 0.50 to 0.85
	AVSS 0.50f to 0.75f
	CAVS 0.50 to 0.85

FEATURES AND SPECIFICATIONS

Features and Benefits

- Size 16 circuit
- Panel mount type

Reference Information

Product Specification: PS-51115
 Packaging: Bag
 Mates With: 51117 retainer
 Use With: 50420
 Designed In: Millimeters

Electrical

Voltage: 30V
 Current: 4.0A
 Contact Resistance: 100mΩ max.
 Dielectric Withstanding Voltage: 1000V
 Insulation Resistance: 100 MΩ min.

Mechanical

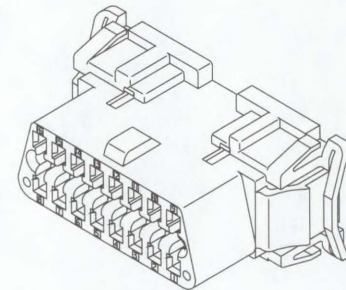
Contact Retention to Housing: 9.0kg min. (with 51117)
 Wire Pull-Out Force: 9.0kg min. (AVS 0.5)
 Mating Force: 11.23kg max./14.49kg max. (with spring)
 Unmating Force: 8.97kg max.
 Durability: 200 cycles

Physical

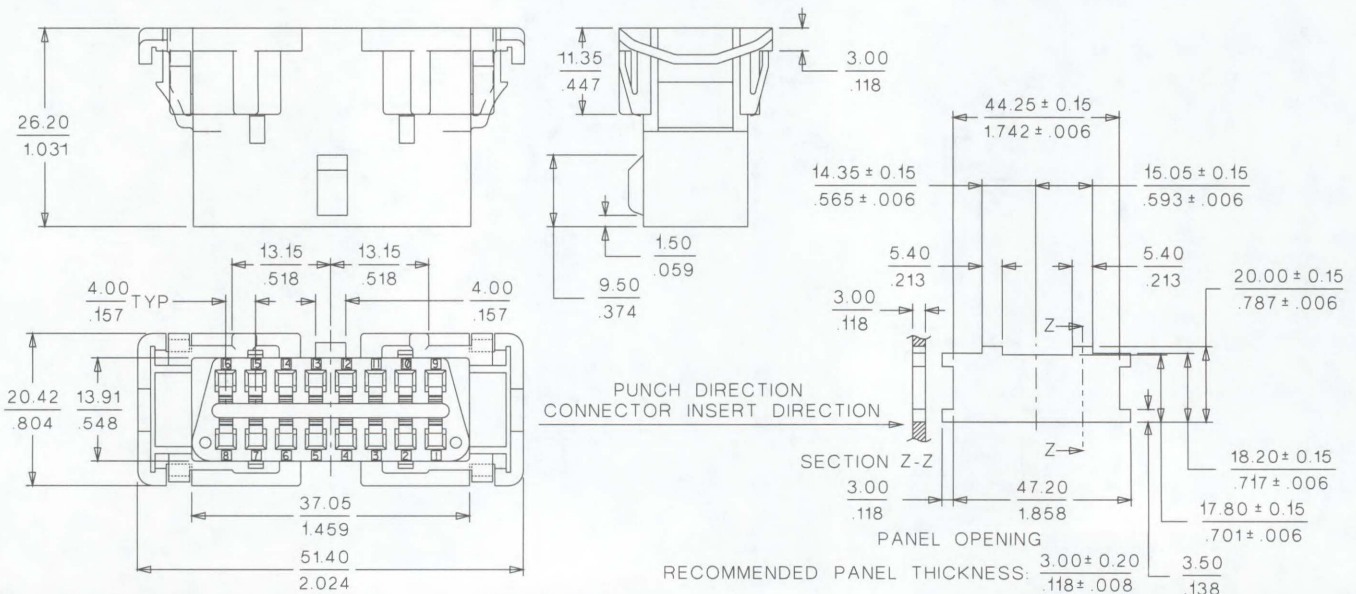
Housing: Black PBTP, UL 94V-0
 Operating Temperature: -40 to +85°C

molex® 4.00mm (.157") Pitch OBD-II Wire-to-Wire Receptacle Housing

51115



CATALOG DRAWING (FOR REFERENCE ONLY)



ORDERING INFORMATION

Circuits	Order No.
16	51115-1601

FEATURES AND SPECIFICATIONS

Features and Benefits

- Size 16 circuit
- Flange type

Reference Information

Product Specification: PS-51116
 Packaging: Bag
 Mates With: 51118 retainer
 Use With: 50420
 Designed In: Millimeters

Electrical

Voltage: 30V
 Current: 4.0A
 Contact Resistance: 100mΩ max.
 Dielectric Withstanding Voltage: 1000V
 Insulation Resistance: 100 MΩ min.

Mechanical

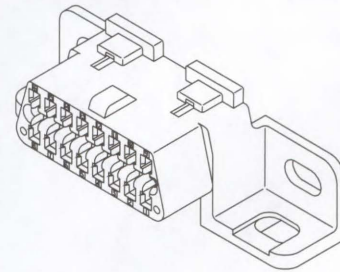
Contact Retention to Housing: 9.0kg min. (with 51118)
 Wire Pull-Out Force: 9.0kg min. (AVS 0.5)
 Mating Force: 11.23kg max./14.49kg max. (with spring)
 Unmating Force: 8.97kg max.
 Durability: 200 cycles

Physical

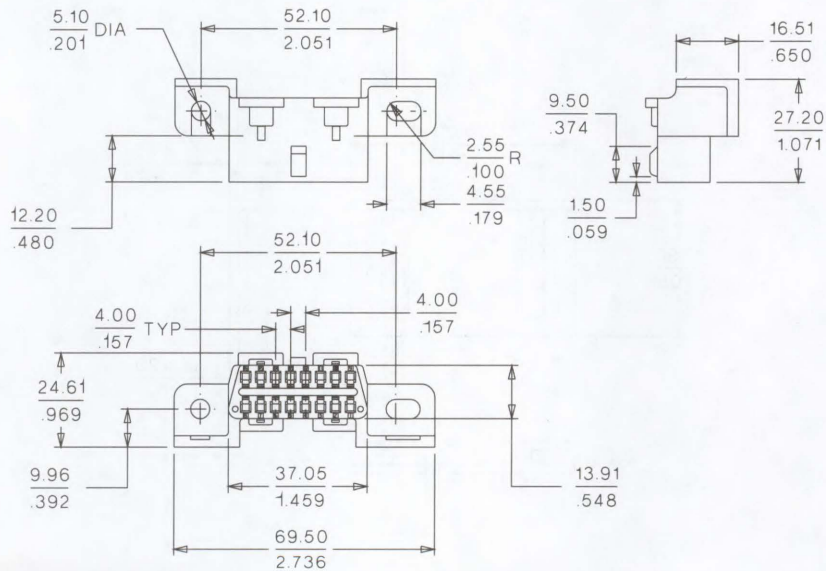
Housing: Black PBTP, UL 94V-0
 Operating Temperature: -40 to +85°C

molex® OBD-II Wire-to-Wire Receptacle Housing

51116



CATALOG DRAWING (FOR REFERENCE ONLY)



ORDERING INFORMATION

Circuits	Order No.
16	51116-1601

FEATURES AND SPECIFICATIONS

Features and Benefits

- Terminal positioning assurance

Reference Information

Packaging: Bag
Use With: 51115 housing
Designed In: Millimeters

Electrical

Voltage: 30V
Current: 4.0A
Contact Resistance: 100mΩ max.
Dielectric Withstanding Voltage: 1000V
Insulation Resistance: 100 MΩ min.

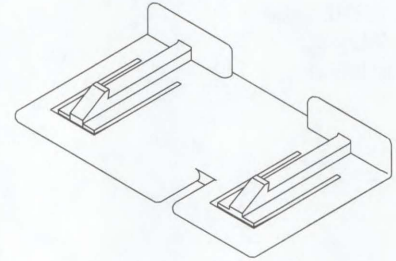
Physical

Housing: Gray PBTP, UL 94V-0
Operating Temperature: -40 to +85°C

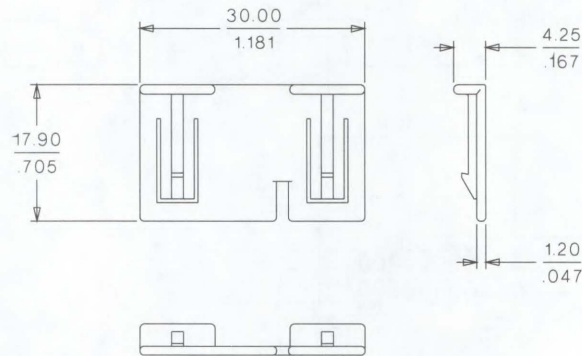


OBD-II Wire-to-Wire Retainer

51117



CATALOG DRAWING (FOR REFERENCE ONLY)



ORDERING INFORMATION

Circuits	Order No.
16	51117-1605

FEATURES AND SPECIFICATIONS

Features and Benefits

- Terminal positioning assurance

Reference Information

Packaging: Bag

Use With: 51116 housing

Designed In: Millimeters

Electrical

Voltage: 30V

Current: 4.0A

Contact Resistance: 100mΩ max.

Dielectric Withstanding Voltage: 1000V

Insulation Resistance: 100 MΩ min.

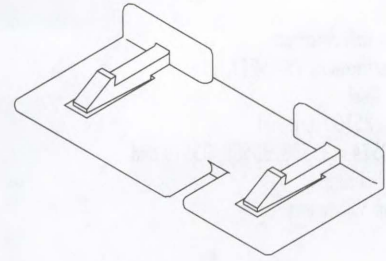
Physical

Housing: Gray PBTP, UL 94V-0

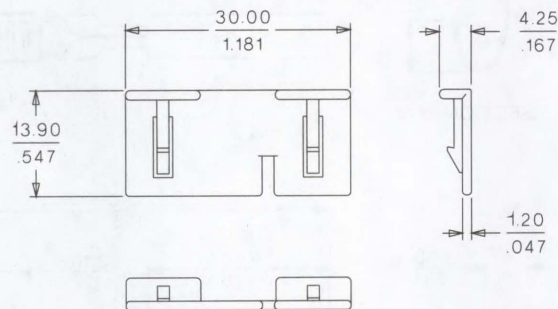
Operating Temperature: -40 to +85°C

molex® Wire-to-Wire Retainer

51118



CATALOG DRAWING (FOR REFERENCE ONLY)



ORDERING INFORMATION

Circuits	Order No.
16	51118-1605

FEATURES AND SPECIFICATIONS

Features and Benefits

- Copper Alloy terminal and Brass sleeve provide protection to contact area
- Round shape protects against damage on wire seal during insertion

Reference Information

Product Specification: PS-35241
 Packaging: Reel
 Mates With: 35100 terminal
 Use With: 35245, 35508, 35509, 35510 and 35200 housings
 Designed In: Millimeters

Electrical

Voltage: 300V
 Current: 5.0A max.
 Contact Resistance: 6mΩ max.
 Dielectric Withstanding Voltage: 1000V
 Insulation Resistance: 100 MΩ min.

Mechanical

Contact Retention to Housing: With TPA—6.0kgf min.
 Wire Pull-Out Force: 10.0kgf min.
 Mating Force: 0.6kgf max.
 Unmating Force: 0.1kgf min.
 Durability: 50 cycles

Physical

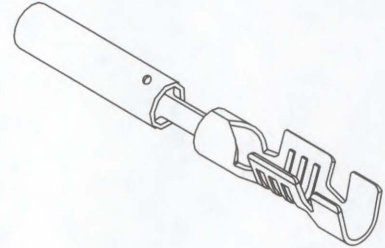
Contact: Copper Alloy
 Sleeve: Brass
 Plating: Tin
 Insulation Diameter: See Table
 Wire Range: See Table
 Operating Temperature: -40 to +120°C



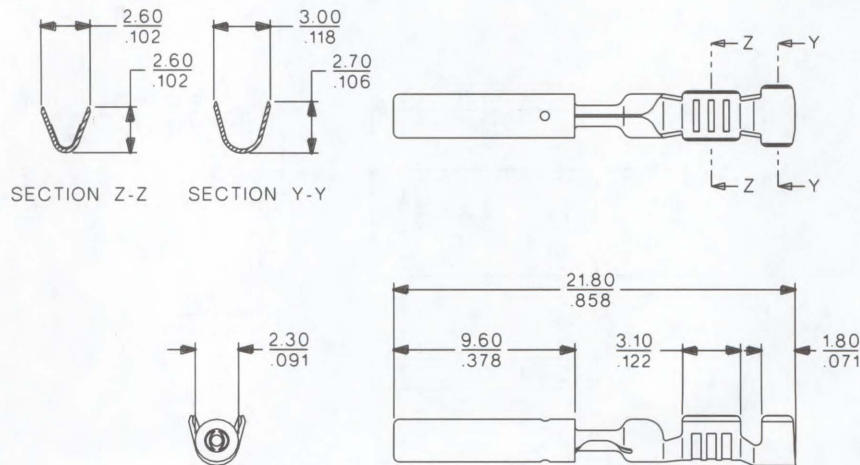
1.00mm (.039") Diameter Terminal

35403

Female Crimp, Round



CATALOG DRAWING (FOR REFERENCE ONLY)



ORDERING INFORMATION AND DIMENSIONS

Order No.	Wire Range (mm ²)	Insulation Dia. Range
35403-1002	AVSS 0.30 to 0.85 (.012 to .034)	1.40-1.90 (.055-.075)

FEATURES AND SPECIFICATIONS

Features and Benefits

- Round terminal design provides low insertion force
- Long mating area provides secure contact

Reference Information

Product Specification: PS-35241
 Packaging: Reel
 Mates With: 35403 terminal
 Use With: 35241 housing
 Designed In: Millimeters

Electrical

Voltage: 300V
 Current: 5.0A max.
 Contact Resistance: 6mΩ max.
 Dielectric Withstanding Voltage: 1000V
 Insulation Resistance: 100 MΩ min.

Mechanical

Contact Retention to Housing: With TPA—6.0kgf min.
 Wire Pull-Out Force: 10.0kgf min.
 Mating Force: 0.6kgf. max.
 Unmating Force: 0.1kgf min.
 Durability: 50 cycles

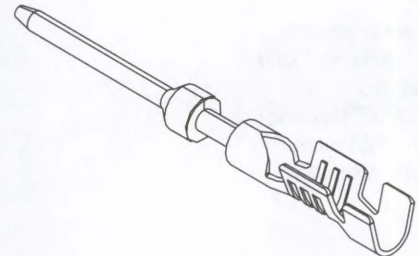
Physical

Contact: Brass
 Plating: Tin
 Insulation Diameter: See Table
 Wire Range: See Table
 Operating Temperature: -40 to +120°C

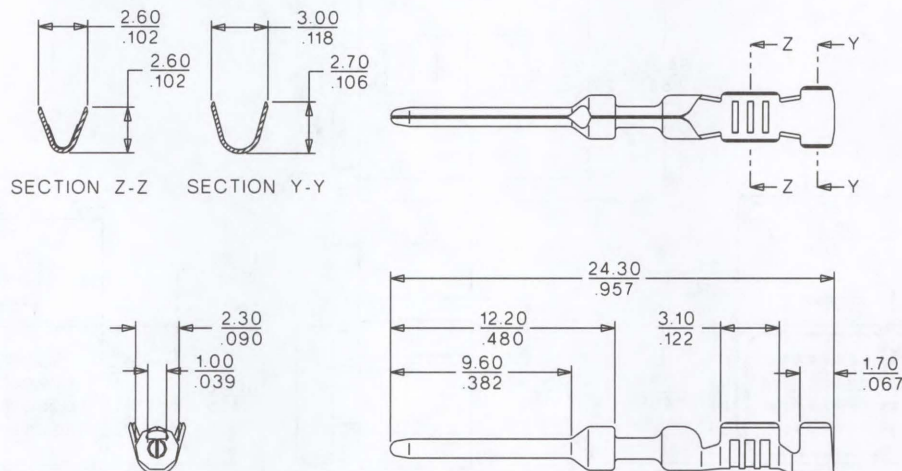
molex® 1.00mm (.039") Diameter Terminal

35100

Male Crimp, Round



CATALOG DRAWING (FOR REFERENCE ONLY)



ORDERING INFORMATION AND DIMENSIONS

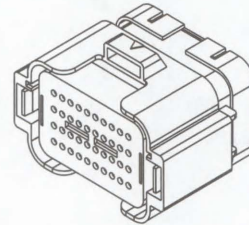
Order No.	Wire Range (mm ²)	Insulation Dia. Range
35100-9002	AWSS 0.30 to 0.85 (.012 to .034)	1.40-1.90 (.055-.075)



1.00mm (.039") Diameter Wire-to-Wire Receptacle

35245

With Seal and Terminal Retainers



FEATURES AND SPECIFICATIONS

Features and Benefits

- Size 40 circuits
- Waterproof system ideal for harsh environments
- High-density modular design for space savings and easy assembly
- Preloaded seal, seal retainer and TPA
- Preloaded wire seal eliminates need for seal crimping
- Bracket mounting features on both sides of housing for secure retention

Reference Information

Product Specification: PS-35241
Packaging: Bag
Mates With: 35241 housing
Use With: 35403 terminal
Designed In: Millimeters

Electrical

Voltage: 300V
Current: 5.0A max.
Contact Resistance: 6mΩ max.
Dielectric Withstanding Voltage: 1000V
Insulation Resistance: 100 MΩ min.

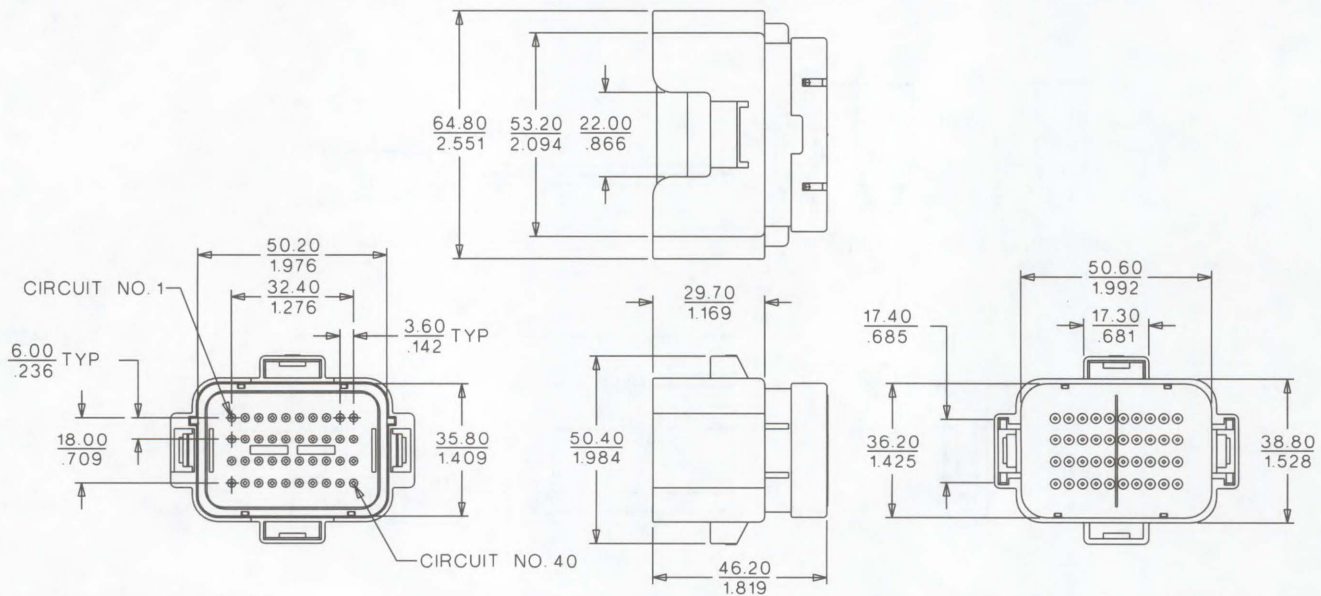
Mechanical

Contact Retention to Housing: 6.0kgf min.
Mating Force: 20.0kgf max.
Unmating Force: 20.0kgf max.
Durability: 50 cycles

Physical

Housing: Glass-filled polyester, UL 94-HB
TPA: Glass-filled polyester, UL 94-HB
Seal Retainer: Glass-filled polyester, UL 94-HB
Seal: Lubricated Silicone
Operating Temperature: -40 to +120°C

CATALOG DRAWING (FOR REFERENCE ONLY)



ORDERING INFORMATION

Circuits	Order No.
40	35245-4011

FEATURES AND SPECIFICATIONS

Features and Benefits

- Size 40 circuits
- Waterproof system ideal for harsh environments
- High-density modular design for space savings and easy assembly
- Preloaded seal, seal retainer and TPA
- Preloaded wire seal eliminates need for seal crimping
- Bracket mounting features on both sides of housing for secure retention

Reference Information

Product Specification: PS-35241

Packaging: Bag

Mates With: 35245 housing

Use With: 35100 terminal

Designed In: Millimeters

Electrical

Voltage: 300V

Current: 5.0A max.

Contact Resistance: 6mΩ max.

Dielectric Withstanding Voltage: 1000V

Insulation Resistance: 100 MΩ min.

Mechanical

Contact Retention to Housing: 6.0kgf min.

Mating Force: 20.0kgf max.

Unmating Force: 20.0kgf max.

Durability: 50 cycles

Physical

Housing: Glass-filled polyester, UL 94-HB

TPA: Glass-filled polyester, UL 94-HB

Seal Retainer: Glass-filled polyester, UL 94-HB

Seal: Lubricated Silicone

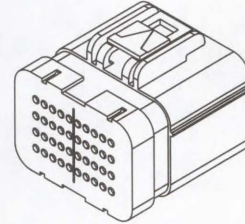
Operating Temperature: -40 to +120°C



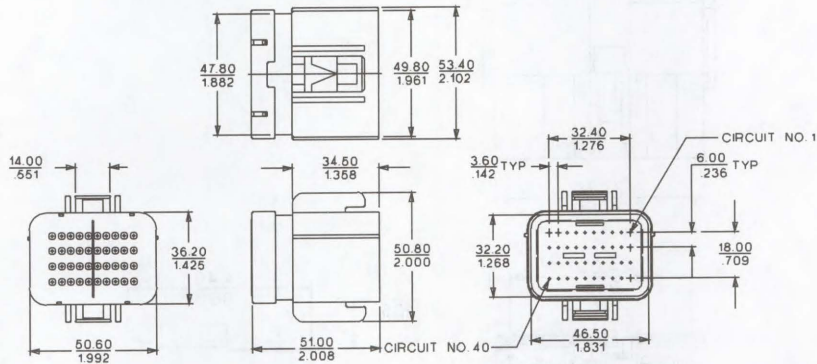
1.00mm (.039") Diameter Wire-to-Wire Plug

35241

With Seal and Terminal Retainers



CATALOG DRAWING (FOR REFERENCE ONLY)



ORDERING INFORMATION

Circuits	Order No.
40	35241-4011

FEATURES AND SPECIFICATIONS

Features and Benefits

- Size 7 circuits
- Low profile for tight packaging applications
- Molded-in TPA eliminates assembly process
- Locking latch for secure retention
- Polarizing guide walls facilitate mating

Reference Information

Product Specification: PS-35354
 Packaging: Bag
 Mates With: 35354 header
 Use With: 35403 terminal
 Designed In: Millimeters

Electrical

Voltage: 300V
 Current: 6.0A max.
 Contact Resistance: 6mΩ max.
 Dielectric Withstanding Voltage: 1000V
 Insulation Resistance: 100 MΩ min.

Mechanical

Contact Retention to Housing: With TPA—6.0kgf min.
 Mating Force: 12.0kgf max.
 Unmating Force: 12.0kgf max.
 Durability: 50 cycles

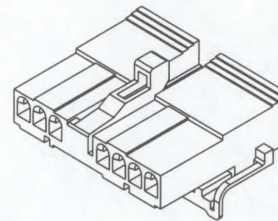
Physical

Contact: Polyester, UL94-HB
 Operating Temperature: -40 to +120°C

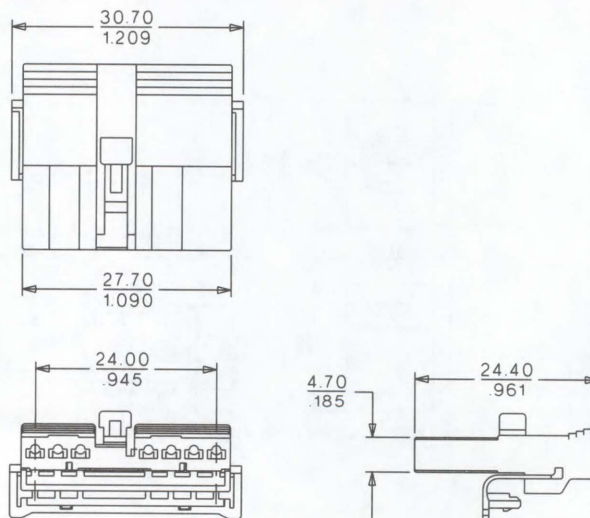
molex® 1.00mm (.039") Diameter Wire-to-Board Housing

35508

Single Row



CATALOG DRAWING (FOR REFERENCE ONLY)



ORDERING INFORMATION

Circuits	Order No.
7	35508-0700

FEATURES AND SPECIFICATIONS

Features and Benefits

- Sizes 8, 10 and 22 circuits
- Low profile for tight packaging applications
- Molded-in TPA eliminates assembly process
- Locking latch for secure retention
- Polarizing guide walls facilitate mating

Reference Information

Product Specification: PS-35354
 Packaging: Bag
 Mates With: 35356, 35009 and 35358 headers
 Use With: 35403 terminal
 Designed In: Millimeters

Electrical

Voltage: 300V
 Current: 6.0A max.
 Contact Resistance: 6mΩ max.
 Dielectric Withstanding Voltage: 1000V
 Insulation Resistance: 100 MΩ min.

Mechanical

Contact Retention to Housing: 6.0kgf min.
 Mating Force: 12.0kgf max.
 Unmating Force: 12.0kgf max.
 Durability: 50 cycles

Physical

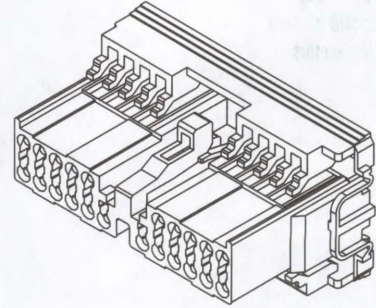
Contact: Polyester, UL94-HB
 Operating Temperature: -40 to +120°C



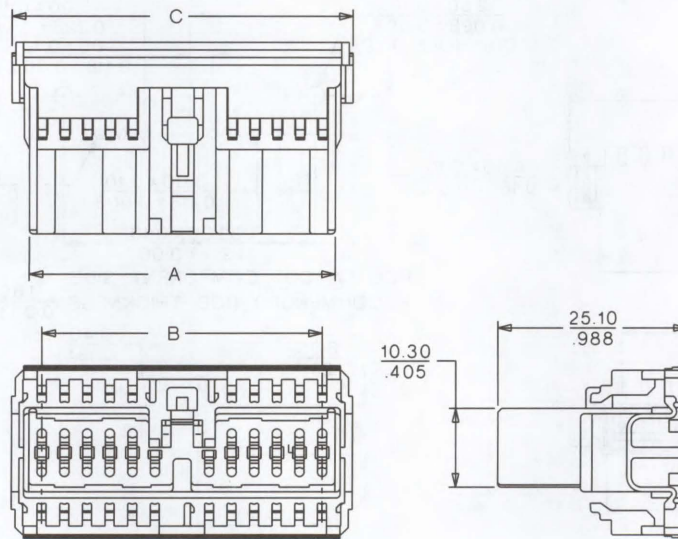
1.00mm (.039") Diameter Wire-to-Board Housing

35509/35200/35510

Dual Row



CATALOG DRAWING (FOR REFERENCE ONLY)



ORDERING INFORMATION AND DIMENSIONS

Circuits	Order No.	Dimension		
		A	B	C
8	35509-0800	15.70 (.618)	12.00 (.472)	20.30 (.799)
10	35200-1000	18.70 (.736)	15.00 (.591)	23.30 (.917)
22	35510-2200	40.40 (1.591)	37.20 (1.465)	45.00 (1.772)

FEATURES AND SPECIFICATIONS

Features and Benefits

- Size 7 circuits
- Low profile for tight packaging applications
- Low insertion force and secure mating retention
- Flanges for screw mounting
- Optional metal peg for quick assembly

Reference Information

Product Specification: PS-35354
 Packaging: Tray or bag
 Mates With: 35508 housing
 Designed In: Millimeters

Electrical

Voltage: 300V
 Current: 6.0A max.
 Contact Resistance: 6mΩ max.
 Dielectric Withstanding Voltage: 1000V
 Insulation Resistance: 100 MΩ min.

Mechanical

Mating Force: 12.0kgf max.
 Unmating Force: 12.0kgf max.
 Durability: 50 cycles

Physical

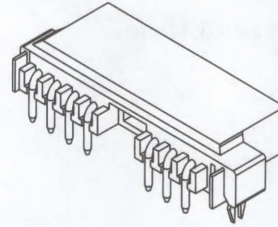
Housing: Polyester, UL94-HB
 Pin: Brass
 Plating: Tin
 Operating Temperature: -40 to +120°C



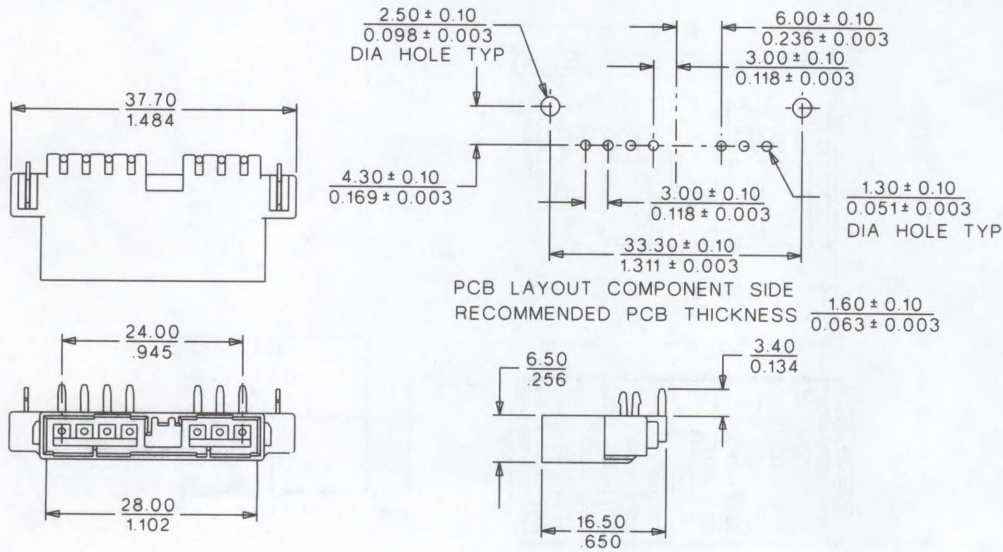
1.00mm (.039") Diameter Wire-to-Board Header

35354

Single Row



CATALOG DRAWING (FOR REFERENCE ONLY)



ORDERING INFORMATION

Circuits	Order No.
7	35354-0710

FEATURES AND SPECIFICATIONS

Features and Benefits

- Sizes 8, 10 and 22 circuits
- Low profile for tight packaging applications
- Low insertion force and secure mating retention
- Flanges for screw mounting
- Optional metal peg for quick assembly

Reference Information

Product Specification: PS-35354
 Packaging: Tray or bag
 Mates With: 35509, 35200 and 35510 housings
 Designed In: Millimeters

Electrical

Voltage: 300V
 Current: 6.0A max.
 Contact Resistance: 6mΩ max.
 Dielectric Withstanding Voltage: 1000V
 Insulation Resistance: 100 MΩ min.

Mechanical

Mating Force: 12.0kgf max.
 Unmating Force: 12.0kgf max.
 Durability: 50 cycles

Physical

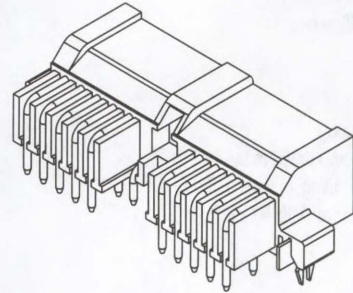
Housing: Polyester, UL 94-HB
 Pin: Brass
 Plating: Tin
 Operating Temperature: -40 to +120°C



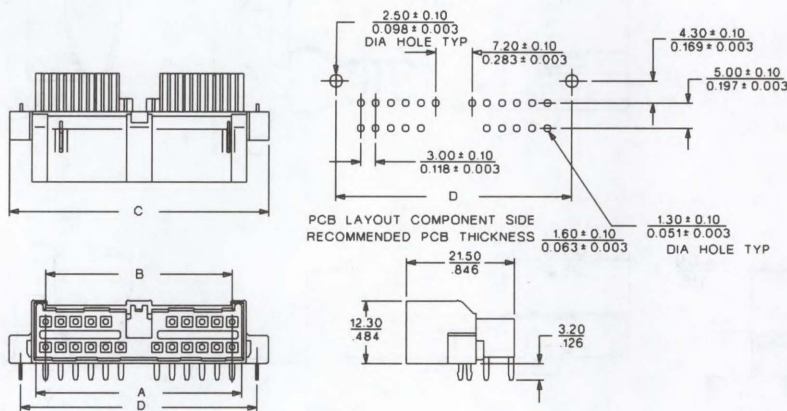
1.00mm (.039") Diameter Wire-to-Board Header

35356/35009/35358

Dual Row



CATALOG DRAWING (FOR REFERENCE ONLY)



ORDERING INFORMATION AND DIMENSIONS

Circuits	Order No.	Dimension			
		A	B	C	D
8	35356-0810	16.00 (.630)	12.00 (.472)	26.60 (1.047)	22.10 (.870)
10	35009-2011	18.90 (.744)	15.00 (.591)	30.50 (1.201)	25.20 (.992)
22	35358-2210	40.90 (1.610)	37.20 (1.465)	51.30 (2.020)	46.80 (1.843)

FEATURES AND SPECIFICATIONS

Features and Benefits

- Housing-locking feature avoids deformation of terminal
- Accepts wide wire range (0.3 to 2.0mm²)

Reference Information

Product Specification: PS-35282
 Packaging: Reel
 Mates With: 35420 terminal
 Use With: 35284 housing
 Designed In: Millimeters

Electrical

Voltage: 300V
 Current: 3.0A max.
 Contact Resistance: 10mΩ max.
 Dielectric Withstanding Voltage: 1000V
 Insulation Resistance: 100 MΩ min.

Mechanical

Contact Retention to Housing: With TPA—10.0kgf min.
 Wire Pull-Out Force: 6.0kgf min.
 Mating Force: 10 circuits—14.0kgf max.
 Unmating Force: 10 circuits—14.0kgf max.
 Durability: 50 cycles

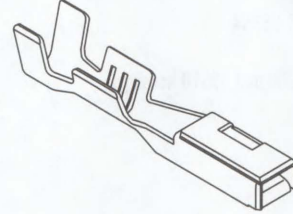
Physical

Contact: Copper Alloy
 Plating: Tin
 Operating Temperature: -40 to +80°C

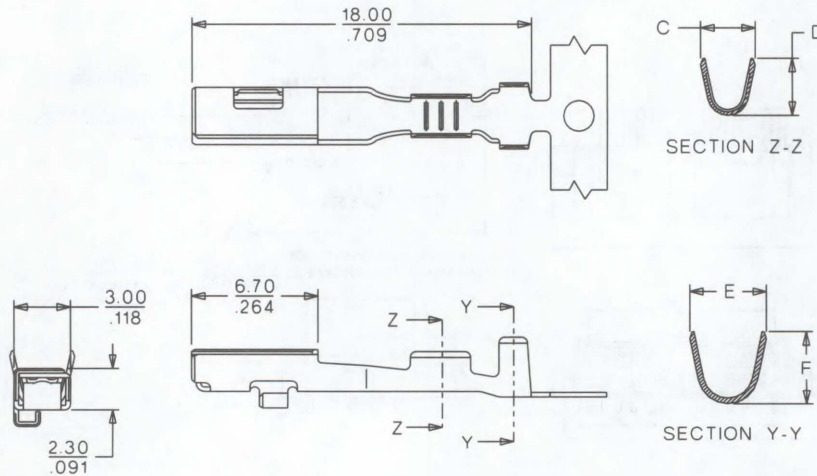
molex® 2.30mm (.090") Tab Terminal

35421

Female



CATALOG DRAWING (FOR REFERENCE ONLY)



ORDERING INFORMATION AND DIMENSIONS

Order No.	Wire Range (mm ²)	Dimension			
		C	D	E	F
35421-6702	AVS (CAVS) 0.30 to 0.50 (.012 to .020)	2.10 (.083)	2.20 (.087)	3.40 (.134)	3.25 (.128)
35421-6802	AVS (CAVS) 0.50 to 1.25 (.020 to .050)	2.60 (.102)	2.95 (.116)	4.00 (.157)	3.80 (.150)
35421-6902	AVSS 2F	3.60 (.142)	4.00 (.157)	4.30 (.169)	3.90 (.153)

FEATURES AND SPECIFICATIONS

Features and Benefits

- Housing-locking feature avoids deformation of terminal
- Accepts wide wire range (0.3 to 2.0mm²)
- Flat tab design offers low insertion force and good mating contact

Reference Information

Product Specification: PS-35282
 Packaging: Reel
 Mates With: 35421 terminal
 Use With: 35282 housing
 Designed In: Millimeters

Electrical

Voltage: 300V
 Current: 3.0A max.
 Contact Resistance: 10mΩ max.
 Dielectric Withstanding Voltage: 1000V
 Insulation Resistance: 100 MΩ min.

Mechanical

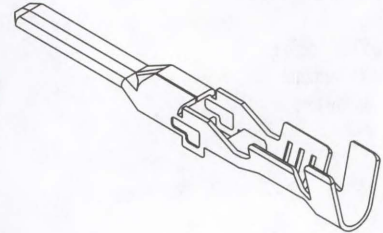
Contact Retention to Housing: With TPA— 10.0kgf min.
 Wire Pull-Out Force: 6.0kgf min.
 Mating Force: 10 circuits—14.0kgf max.
 Unmating Force: 10 circuits—14.0kgf max.
 Durability: 50 cycles

Physical

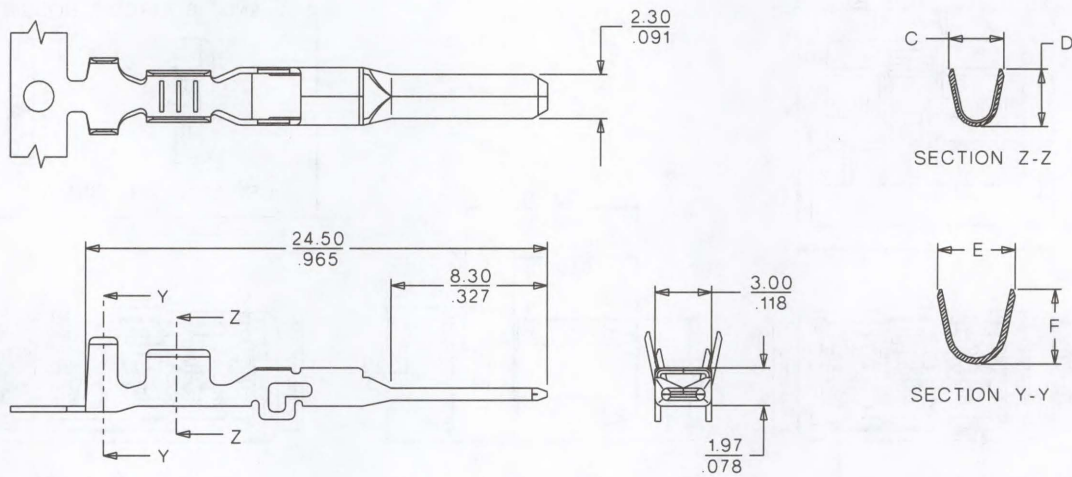
Contact: Brass
 Plating: Tin
 Operating Temperature: -40 to +80°C

molex® 2.30mm (.090") Tab Terminal

35420
Male



CATALOG DRAWING (FOR REFERENCE ONLY)



ORDERING INFORMATION AND DIMENSIONS

Order No.	Wire Range (mm ²)	Dimension			
		C	D	E	F
35420-9702	AVS (CAVS) 0.30 to 0.50 (.012 to .020)	2.20 (.087)	2.30 (.091)	3.70 (.147)	3.30 (.130)
35420-9802	AVS (CAVS) 0.50 to 1.25 (.020 to .050)	2.80 (.110)	3.00 (.118)	4.20 (.165)	4.00 (.157)
35420-9902	AVSS 2f	3.90 (.153)	4.10 (.161)	4.90 (.193)	4.20 (.165)

FEATURES AND SPECIFICATIONS

Features and Benefits

- Sizes 6, 8, 10, 12 and 16 circuits
- Preloaded TPA
- Inertia lock mechanism for secure mating retention: 6, 8 and 10 circuits

Reference Information

Product Specification: PS-35282

Packaging: Bag

Mates With: 35282 housing

Use With: 35421 terminal

Designed In: Millimeters

Electrical

Voltage: 300V

Current: 3.0A max.

Contact Resistance: 10mΩ max.

Dielectric Withstanding Voltage: 1000V

Insulation Resistance: 100 MΩ min.

Mechanical

Contact Retention to Housing: With TPA—10.0kgf min.

Mating Force: 10 circuits—14.1kgf max.

Unmating Force: 10 circuits—14.1kgf max.

Durability: 50 cycles

Physical

Contact: Polyester, UL 94-HB

TPA: Polyester

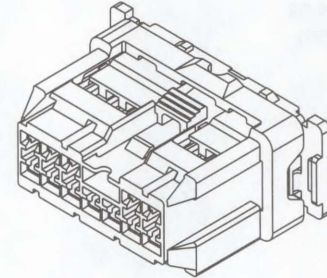
Operating Temperature: -40 to +80°C



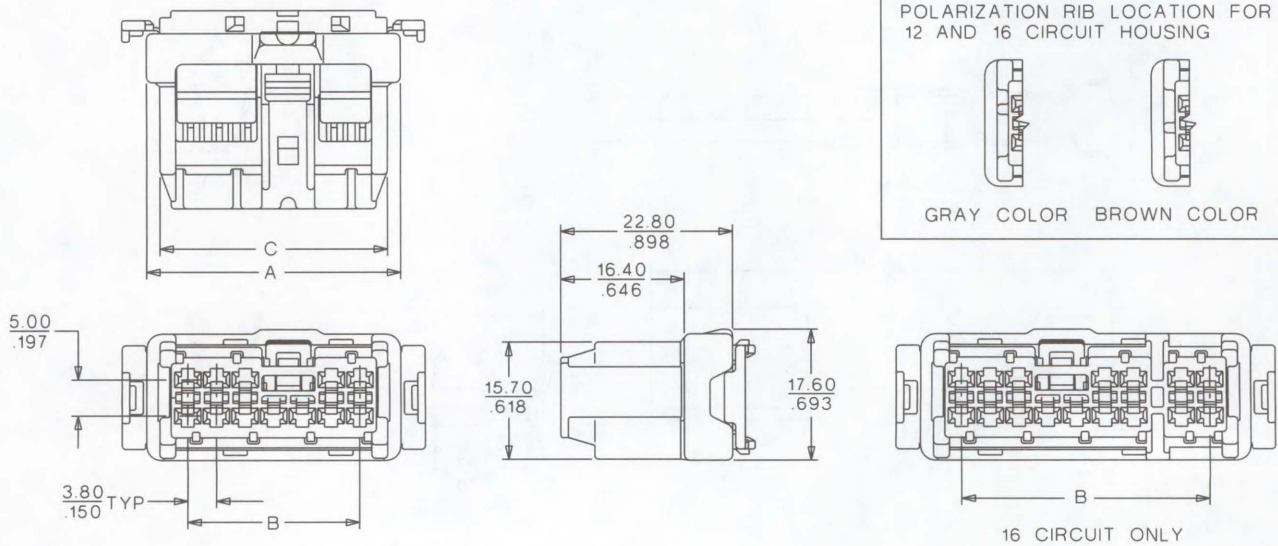
2.30mm (.090") Tab Wire-to-Wire Receptacle

35284

With Secondary Terminal Retention



CATALOG DRAWING (FOR REFERENCE ONLY)



ORDERING INFORMATION AND DIMENSIONS

Circuits	Order No.	Color	Dimension		
			A	B	C
6	35284-0610	Natural	22.30 (.878)	11.40 (.449)	18.80 (.740)
8	35284-0810	Natural	26.10 (1.028)	15.20 (.598)	22.60 (.890)
10	35284-1010	Natural	29.90 (1.177)	19.00 (.748)	26.40 (1.039)
12	35284-1210	Natural	33.70 (1.327)	22.80 (.898)	30.20 (1.189)
	35284-1215	Gray			
	35284-1217	Brown			
16	35284-1610	Natural	43.80 (1.724)	32.90 (1.295)	40.30 (1.587)
	35284-1615	Gray			
	35284-1617	Brown			

FEATURES AND SPECIFICATIONS

Features and Benefits

- Sizes 6, 8, 10, 12 and 16 circuits
- Preloaded TPA
- Inertia lock mechanism for secure mating retention: 6, 8 and 10 circuits
- Clip mounting feature on plug housing

Reference Information

Product Specification: PS-35282

Packaging: Bag

Mates With: 35284 housing

Use With: 35420 terminal

Designed In: Millimeters

Electrical

Voltage: 300V

Current: 3.0A max.

Contact Resistance: 10mΩ max.

Dielectric Withstanding Voltage: 1000V

Insulation Resistance: 100 MΩ min.

Mechanical

Contact Retention to Housing: With TPA—10.0kgf min.

Mating Force: 10 circuits—14.1kgf max.

Unmating Force: 10 circuits—14.1kgf max.

Durability: 50 cycles

Physical

Contact: Polyester, UL 94-HB

TPA: Polyester

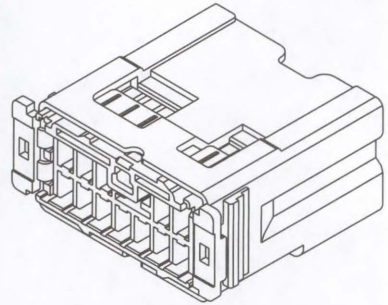
Operating Temperature: -40 to +80°C



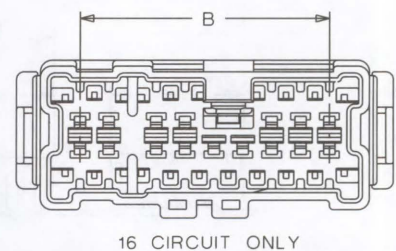
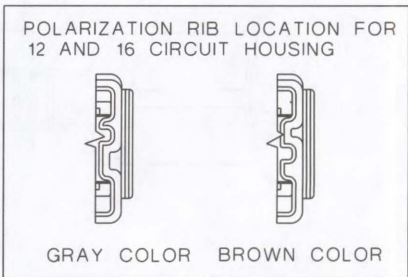
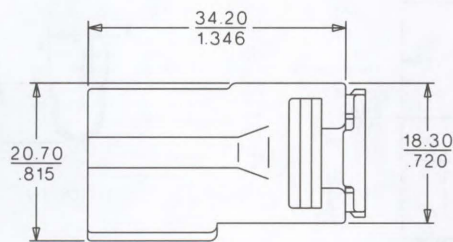
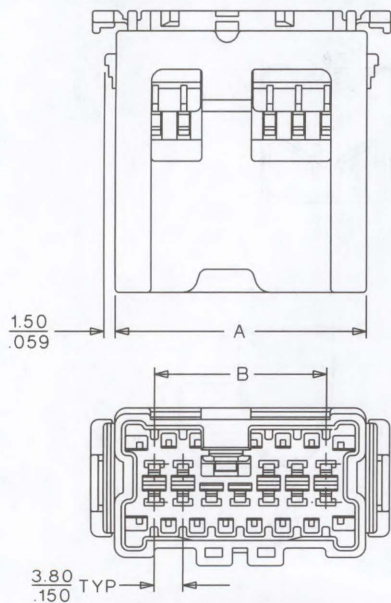
2.30mm (.090") Tab Wire-to-Wire Plug

35282

With Secondary Terminal Retention



CATALOG DRAWING (FOR REFERENCE ONLY)



ORDERING INFORMATION AND DIMENSIONS

Circuits	Order No.	Color	Dimension	
			A	B
6	35282-0610	Natural	21.90 (.862)	11.40 (.449)
8	35282-0810	Natural	25.70 (1.012)	15.20 (.598)
10	35282-1010	Natural	29.50 (1.161)	19.00 (.748)
12	35282-1210	Natural	33.30 (1.311)	22.80 (.898)
	35282-1215	Gray		
	35282-1217	Brown		
16	35282-1610	Natural	43.40 (1.709)	32.90 (1.295)
	35282-1615	Gray		
	35282-1617	Brown		

FEATURES AND SPECIFICATIONS

Features and Benefits

- Low mating force for easy insertion/extraction
- Used with TPA for secure terminal retention

Reference Information

Product Specification: PS-35270-001
 Packaging: Reel
 Mates With: 35725
 Use With: 35270
 Designed In: Millimeters

Electrical

Voltage: 300V
 Current: 20.0A max.
 Contact Resistance: 3mΩ max.
 Dielectric Withstanding Voltage: 1000V
 Insulation Resistance: 100 MΩ min.

Mechanical

Contact Retention to Housing: 98.1N (22.0 lb) min.
 Wire Pull-Out Force: 343.2N (77.2 lb) min.

Physical

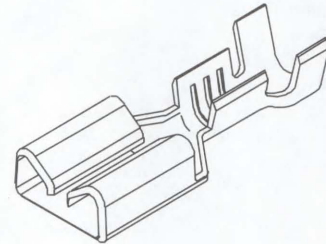
Contact: Brass
 Plating: See Table
 Operating Temperature: -40 to +80°C



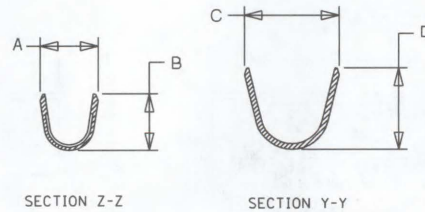
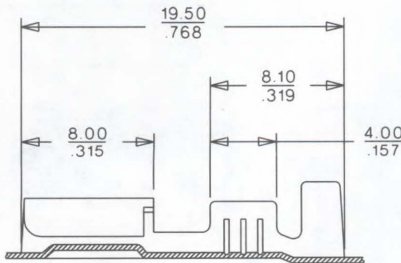
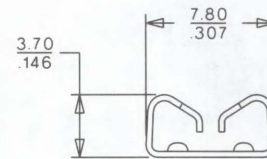
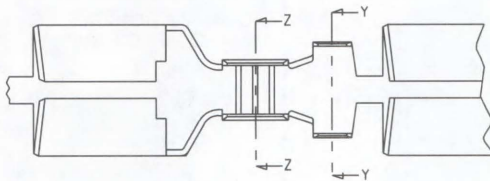
6.00mm (.236") Tab Wire-to-Wire Terminal

35427

Female One-Piece Type



CATALOG DRAWING (FOR REFERENCE ONLY)



ORDERING INFORMATION AND DIMENSIONS

Order No.	Wire Range	Dimension			
		A	B	C	D
35427-970X	AVS (CAVS) 0.30 to 0.50 (.012-.020) mm ²	2.80 (.110)	2.80 (.110)	3.80 (.150)	3.80 (.150)
35427-980X	AVS (CAVS) 0.85 to 1.25 (.033-.049) mm ²	3.00 (.118)	3.50 (.138)	5.00 (.197)	5.00 (.197)
35427-990X	AVS (CAVS) 2.00 to 3.00 (.079-.118) mm ²	5.20 (.205)	4.60 (.181)	6.30 (.248)	6.30 (.248)

Note: Replace X with
 0 = Unplated
 2 = Pre-Tin plated

FEATURES AND SPECIFICATIONS

Features and Benefits

- Two-piece assembled version for high current applications
- Low mating force for easy insertion/extraction
- Used with TPA for secure terminal retention

Reference Information

Product Specification: PS-35270-001
 Packaging: Reel
 Mates With: 35725
 Use With: 35270
 Designed In: Millimeters

Electrical

Voltage: 300V
 Current: 30.0A max.
 Contact Resistance: 3mΩ max.
 Dielectric Withstanding Voltage: 1000V
 Insulation Resistance: 100 MΩ min.

Mechanical

Contact Retention to Housing: 98.1N (22.0 lb) min.
 Wire Pull-Out Force: 343.2N (77.2 lb) min.

Physical

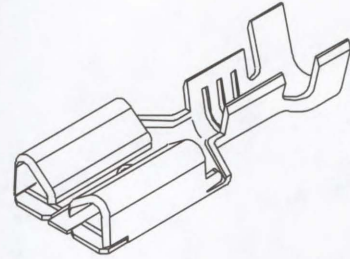
Contact: Copper Alloy
 Plating: Body—Pre-Tin
 Contact Area—Unplated
 Operating Temperature: -40 to +80°C



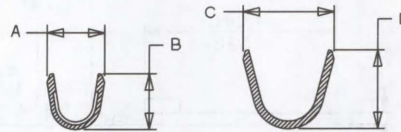
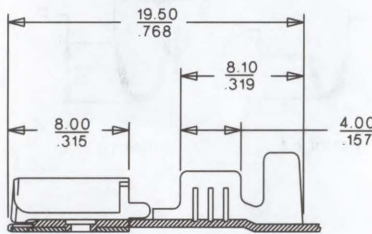
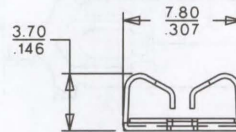
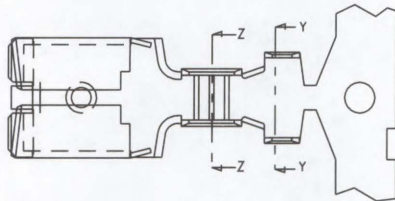
6.00mm (.236") Tab Wire-to-Wire Terminal

35430

Female Two-Piece Type



CATALOG DRAWING (FOR REFERENCE ONLY)



SECTION Z-Z

SECTION Y-Y

ORDERING INFORMATION AND DIMENSIONS

Order No.	Wire Range	Dimension			
		A	B	C	D
35430-1700	AVS (CAVS) 0.30 to 0.50 (.012-.020) mm ²	3.10 (.122)	3.00 (.118)	4.10 (.161)	4.00 (.157)
35430-1800	AVS (CAVS) 0.85 to 1.25 (.033-.049) mm ²	3.50 (.138)	3.50 (.138)	5.50 (.217)	5.20 (.205)
35430-1900	AVS (CAVS) 2.00 to 3.00 (.079-.118) mm ²	5.50 (.217)	4.80 (.189)	6.60 (.260)	6.50 (.256)

FEATURES AND SPECIFICATIONS

Features and Benefits

- Slip-On terminal locks into housing lance
- Wide tab area for stable contact

Reference Information

Product Specification: PS-35270-001
 Packaging: Reel
 Mates With: 35427 and 35430
 Use With: 35272
 Designed In: Millimeters

Electrical

Voltage: 300V
 Current: 20.0A max.
 Contact Resistance: 3mΩ max.
 Dielectric Withstanding Voltage: 1000V
 Insulation Resistance: 100MΩ min.

Mechanical

Contact Retention to Housing: 98.1N (22.0 lb) min.
 Wire Pull-out Force: 343.2N (77.2 lb) min.

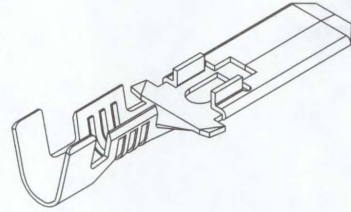
Physical

Contact: Brass
 Plating: See Table
 Wire Range: 12 to 22 AWG
 Operating Temperature: -40 to +80°C

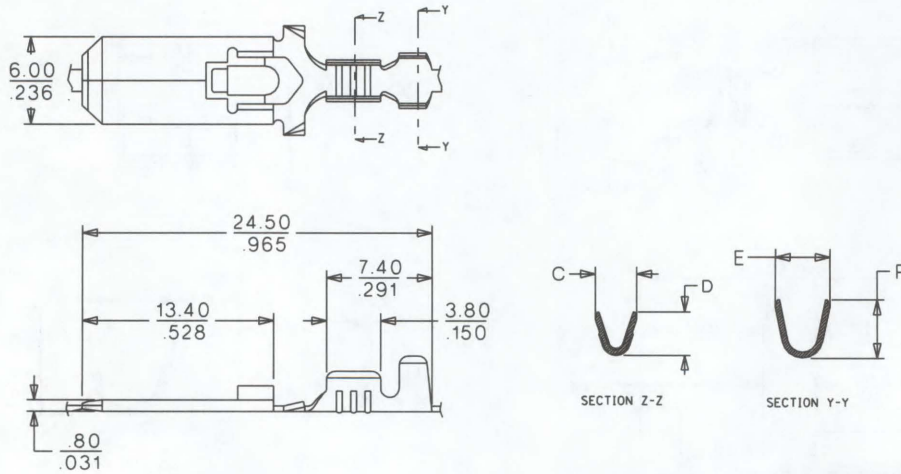
molex® 6.00mm (.236") Tab Wire-to-Wire Terminal

35725

Male



CATALOG DRAWING (FOR REFERENCE ONLY)



ORDERING INFORMATION AND DIMENSIONS

Order No.	Wire Range	Dimension			
		C	D	E	F
35725-30X0	20 to 22 AWG	2.85 (.112)	2.90 (.114)	3.80 (.150)	4.00 (.157)
35725-18X0	14 to 18 AWG	3.40 (.134)	3.60 (.142)	5.20 (.205)	5.20 (.205)
35725-19X0	12 to 14 AWG	5.30 (.209)	4.50 (.177)	6.20 (.244)	5.60 (.220)

Note: Replace X with
 0 = Unplated
 1 = Post-tin plated

FEATURES AND SPECIFICATIONS

Features and Benefits

- Pre-loaded TPA for secure terminal retention
- Low mating force
- Guide wall protects locking feature

Reference Information

Product Specification: PS-35270-001
 Packaging: Bag
 Mates With: 35272-0120
 Use With: 35427, 35430
 Designed In: Millimeters

Electrical

Voltage: 300V
 Current: 20.0A max.
 Contact Resistance: 3mΩ max.
 Dielectric Withstanding Voltage: 1000V
 Insulation Resistance: 100MΩ min.

Mechanical

Contact Retention to Housing: 98.1N (22.0 lb) min.
 Mating Force: 90.2N (20.3 lb) max.
 Unmating Force: 90.2N (20.3 lb) max.

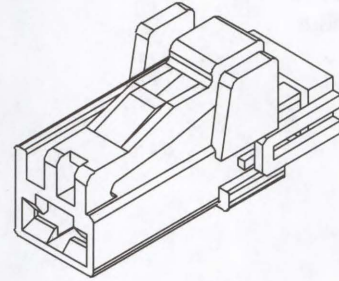
Physical

Housing: Natural polyester, UL 94-HB
 Operating Temperature: -40 to +80°C

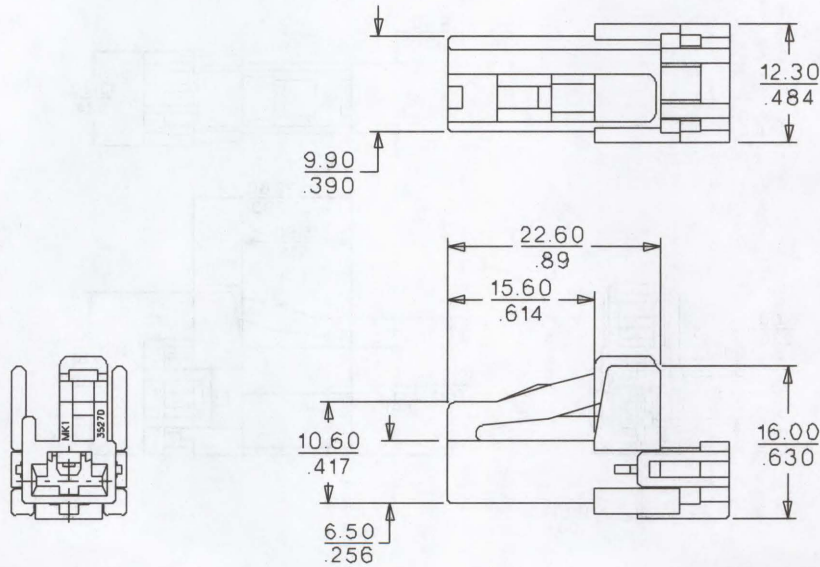
molex® 6.00mm (.236") Tab Wire-to-Wire Receptacle

35270

Secondary Lock, 1 Circuit



CATALOG DRAWING (FOR REFERENCE ONLY)



ORDERING INFORMATION

Order No.
35270-0120

FEATURES AND SPECIFICATIONS

Features and Benefits

- Pre-loaded TPA for secure terminal retention
- Low mating force
- Guide wall protects locking feature

Reference Information

Product Specification: PS-35270-001
 Packaging: Bag
 Mates With: 35272-0210
 Use With: 35427, 35430
 Designed In: Millimeters

Electrical

Voltage: 300V
 Current: 20.0A max.
 Contact Resistance: 3mΩ max.
 Dielectric Withstanding Voltage: 1000V
 Insulation Resistance: 100MΩ min.

Mechanical

Contact Retention to Housing: 98.1N (22.0 lb) min.
 Mating Force: 90.2N (20.3 lb) max.
 Unmating Force: 90.2N (20.3 lb) max.

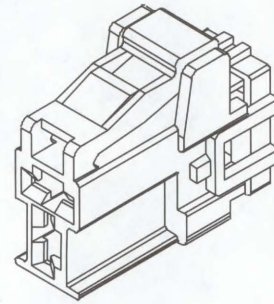
Physical

Housing: Natural polyester, UL 94-HB
 Operating Temperature: -40 to +80°C

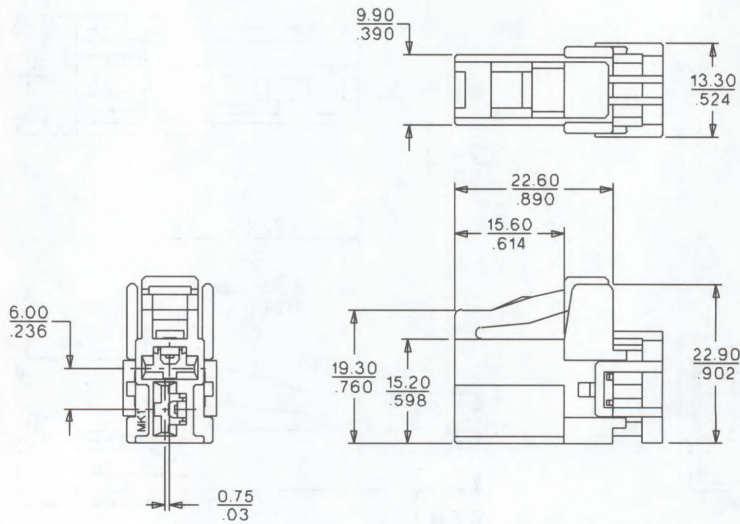
molex® 6.00mm (.236") Tab Wire-to-Wire Receptacle

35270

Secondary Lock, 2 Circuits



CATALOG DRAWING (FOR REFERENCE ONLY)



ORDERING INFORMATION

Order No.
35270-0210

FEATURES AND SPECIFICATIONS

Features and Benefits

- Pre-loaded TPA for secure terminal retention
- Low mating force
- Guide wall protects locking feature

Reference Information

Product Specification: PS-35270-001

Packaging: Bag

Mates With: 35272-0310

Use With: 35427, 35430

Designed In: Millimeters

Electrical

Voltage: 300V

Current: 20.0A max.

Contact Resistance: 3mΩ max.

Dielectric Withstanding Voltage: 1000V

Insulation Resistance: 100MΩ min.

Mechanical

Contact Retention to Housing: 98.1N (22.0 lb) min.

Mating Force: 90.2N (20.3 lb) max.

Unmating Force: 90.2N (20.3 lb) max.

Physical

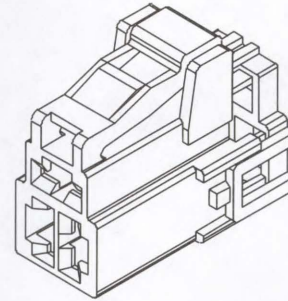
Housing: Natural polyester, UL 94-HB

Operating Temperature: -40 to +80°C

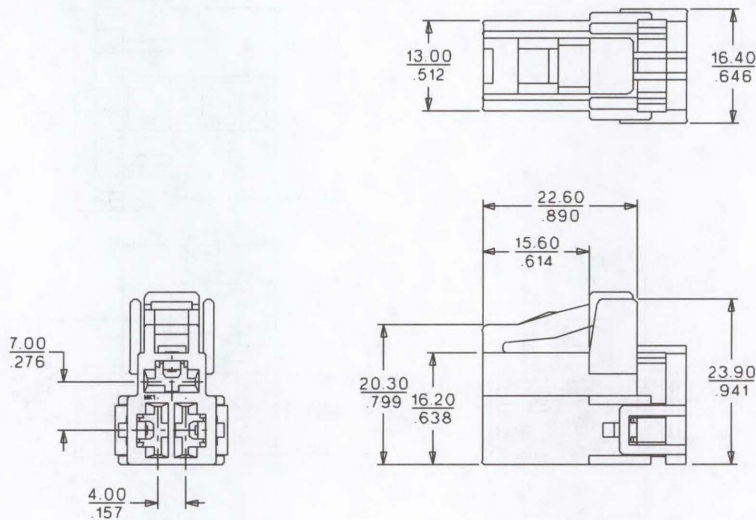
molex® 6.00mm (.236") Tab Wire-to-Wire Receptacle

35270

Secondary Lock, 3 Circuits



CATALOG DRAWING (FOR REFERENCE ONLY)



ORDERING INFORMATION

Order No.
35270-0310

FEATURES AND SPECIFICATIONS

Features and Benefits

- Pre-loaded TPA for secure terminal retention
- Low mating force
- Guide wall protects locking feature

Reference Information

Product Specification: PS-35270-001
 Packaging: Bag
 Mates With: 35272
 Use With: 35427, 35430
 Designed In: Millimeters

Electrical

Voltage: 300V
 Current: 20.0A max.
 Contact Resistance: $3m\Omega$ max.
 Dielectric Withstanding Voltage: 1000V
 Insulation Resistance: $100M\Omega$ min.

Mechanical

Contact Retention to Housing: 98.1N (22.0 lb) min.
 Mating Force: 90.2N (20.3 lb) max.
 Unmating Force: 90.2N (20.3 lb) max.

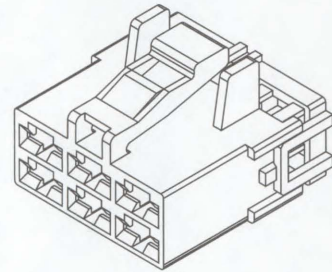
Physical

Housing: Natural polyester, UL 94-HB
 Operating Temperature: -40 to +80°C

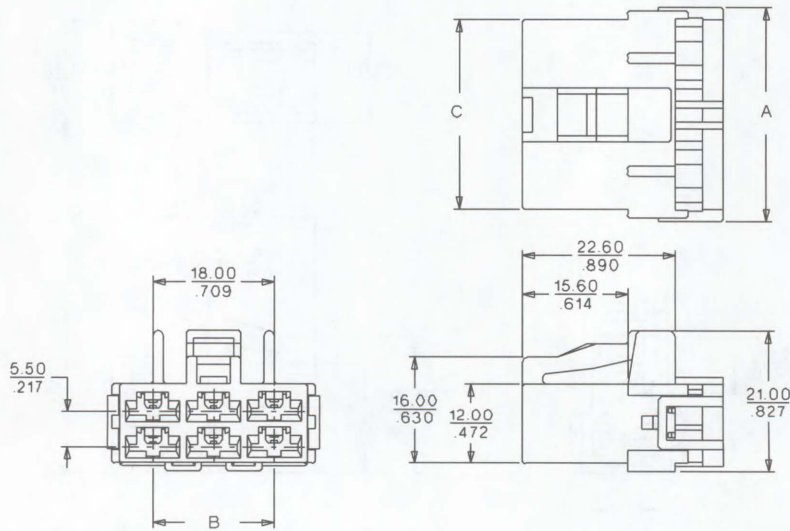
molex® 6.00mm (.236") Tab Wire-to-Wire Receptacle

35270

Secondary Lock 4 and 6 Circuits



CATALOG DRAWING (FOR REFERENCE ONLY)



ORDERING INFORMATION AND DIMENSIONS

Circuits	Order No.	Dimension		
		A	B	C
4	35270-0410	22.40 (.882)	9.00 (.354)	18.80 (.740)
6	35270-0610	31.40 (1.236)	18.00 (.709)	27.80 (1.094)

FEATURES AND SPECIFICATIONS

Features and Benefits

- Pre-loaded TPA for secure terminal retention
- Low mating force
- Clip mounting feature fastens mated harness securely to vehicle

Reference Information

Product Specification: PS-35270-001

Packaging: Bag

Mates With: 35270-0120

Use With: 35725

Designed In: Millimeters

Electrical

Voltage: 300V

Current: 20.0A max.

Contact Resistance: 3mΩ max.

Dielectric Withstanding Voltage: 1000V

Insulation Resistance: 100MΩ min.

Mechanical

Contact Retention to Housing: 98.1N (22.0 lb) min.

Mating Force: 90.2N (20.3 lb) max.

Unmating Force: 90.2N (20.3 lb) max.

Physical

Housing: Natural polyester, UL 94-HB

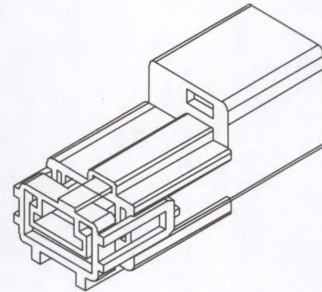
Operating Temperature: -40 to +80°C



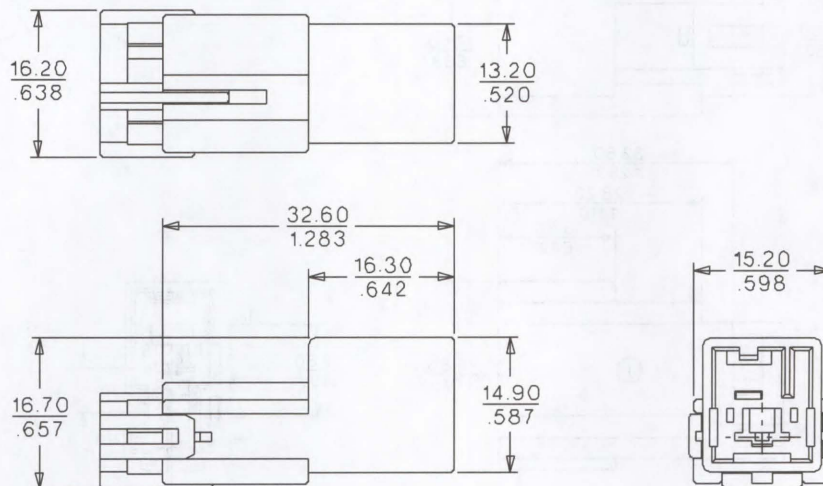
6.00mm (.236") Tab Wire-to-Wire Plug

35272

Secondary Lock, 1 Circuit



CATALOG DRAWING (FOR REFERENCE ONLY)



ORDERING INFORMATION

Order No.
35272-0120

FEATURES AND SPECIFICATIONS

Features and Benefits

- Pre-loaded TPA for secure terminal retention
- Low mating force
- Clip mounting feature fastens mated harness securely to vehicle

Reference Information

Product Specification: PS-35270-001
Packaging: Bag
Mates With: 35270-0210
Use With: 35725
Designed In: Millimeters

Electrical

Voltage: 300V
Current: 20.0A max.
Contact Resistance: 3mΩ max.
Dielectric Withstanding Voltage: 1000V
Insulation Resistance: 100MΩ min.

Mechanical

Contact Retention to Housing: 98.1N (22.0 lb) min.
Mating Force: 90.2N (20.3 lb) max.
Unmating Force: 90.2N (20.3 lb) max.

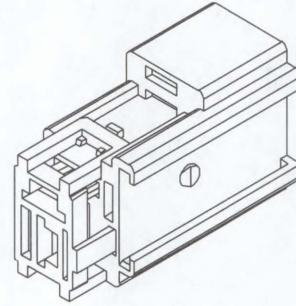
Physical

Housing: Natural polyester, UL 94-HB
Operating Temperature: -40 to +80°C

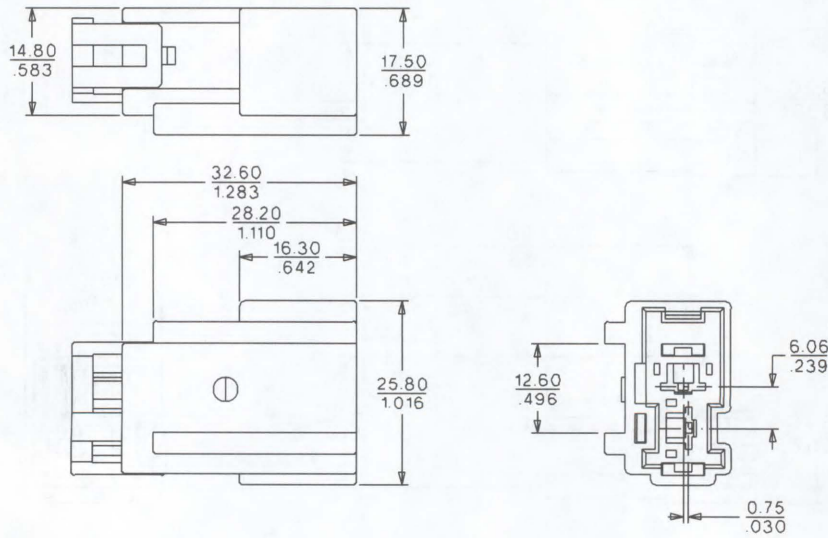
molex® 6.00mm (.236") Tab Wire-to-Wire Plug

35272

Secondary Lock, 2 Circuits



CATALOG DRAWING (FOR REFERENCE ONLY)



ORDERING INFORMATION

Order No.
35272-0210

FEATURES AND SPECIFICATIONS

Features and Benefits

- Pre-loaded TPA for secure terminal retention
- Low mating force
- Clip mounting feature fastens mated harness securely to vehicle

Reference Information

Product Specification: PS-35270-001

Packaging: Bag

Mates With: 35270-0310

Use With: 35725

Designed In: Millimeters

Electrical

Voltage: 300V

Current: 20.0A max.

Contact Resistance: $3m\Omega$ max.

Dielectric Withstanding Voltage: 1000V

Insulation Resistance: $100M\Omega$ min.

Mechanical

Contact Retention to Housing: 98.1N (22.0 lb) min.

Mating Force: 90.2N (20.3 lb) max.

Unmating Force: 90.2N (20.3 lb) max.

Physical

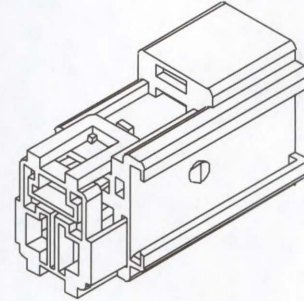
Housing: Natural polyester, UL 94-HB

Operating Temperature: -40 to +80°C

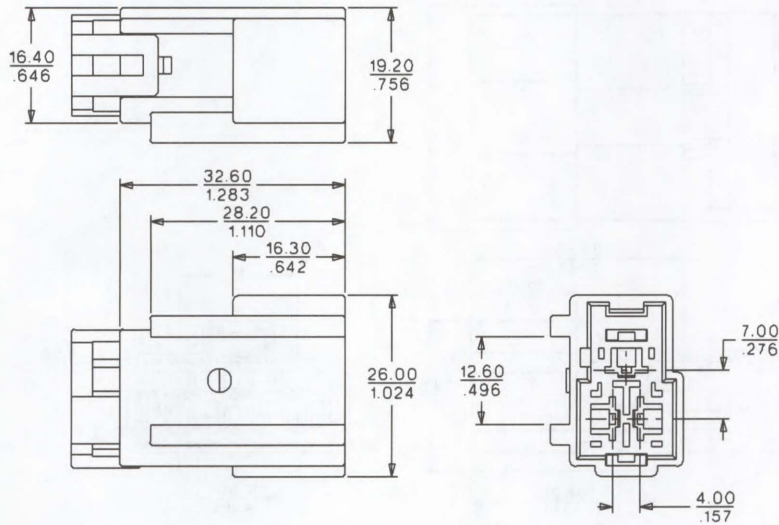
molex® 6.00mm (.236") Tab Wire-to-Wire Plug

35272

Secondary Lock, 3 Circuits



CATALOG DRAWING (FOR REFERENCE ONLY)



ORDERING INFORMATION

Order No.
35272-0310

FEATURES AND SPECIFICATIONS

Features and Benefits

- Pre-loaded TPA for secure terminal retention
- Low mating force
- Clip mounting feature fastens mated harness securely to vehicle

Reference Information

Product Specification: PS-35270-001
 Packaging: Bag
 Mates With: 35270
 Use With: 35725
 Designed In: Millimeters

Electrical

Voltage: 300V
 Current: 20.0A max.
 Contact Resistance: 3mΩ max.
 Dielectric Withstanding Voltage: 1000V
 Insulation Resistance: 100MΩ min.

Mechanical

Contact Retention to Housing: 98.1N (22.0 lb) min.
 Mating Force: 90.2N (20.3 lb) max.
 Unmating Force: 90.2N (20.3 lb) max.

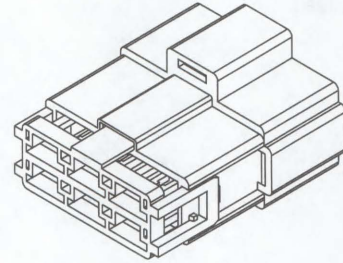
Physical

Housing: Natural polyester, UL 94-HB
 Operating Temperature: -40 to +80°C

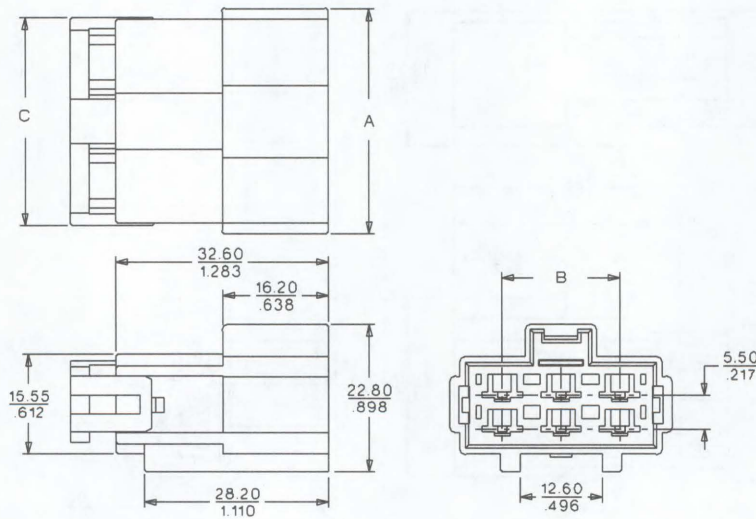
molex® 6.00mm (.236") Tab Wire-to-Wire Plug

35272

Secondary Lock 4 and 6 Circuits



CATALOG DRAWING (FOR REFERENCE ONLY)



ORDERING INFORMATION AND DIMENSIONS

Circuits	Order No.	Dimension		
		A	B	C
4	35272-0410	25.20 (.992)	9.00 (.354)	22.60 (.890)
6	35272-0610	34.20 (1.346)	18.00 (.709)	31.60 (1.244)

FEATURES AND SPECIFICATIONS

Features and Benefits

- For direct insertion into printed circuit board
- Tulip-shape mouth for easy front entry
- 4 independent contact springs
- High resistance to vibration
- Low engagement force
- High current carrying capacity

Reference Information

Product Specification: PS-90030
 Mates With: Flat tabs 2.80 x 0.80"
 Designed In: Millimeters

Electrical

Voltage: 200V
 Current: 11.0A
 Contact Resistance: 1.5mΩ max.

Mechanical

Mating Force: 10N max.
 Unmating Force: 2N min.
 Durability: 25 cycles

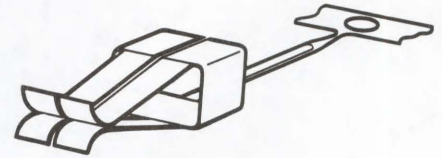
Physical

Contact: Phosphor Bronze
 Plating: Hot Tin dipped
 Operating Temperature: -40 to +100°C

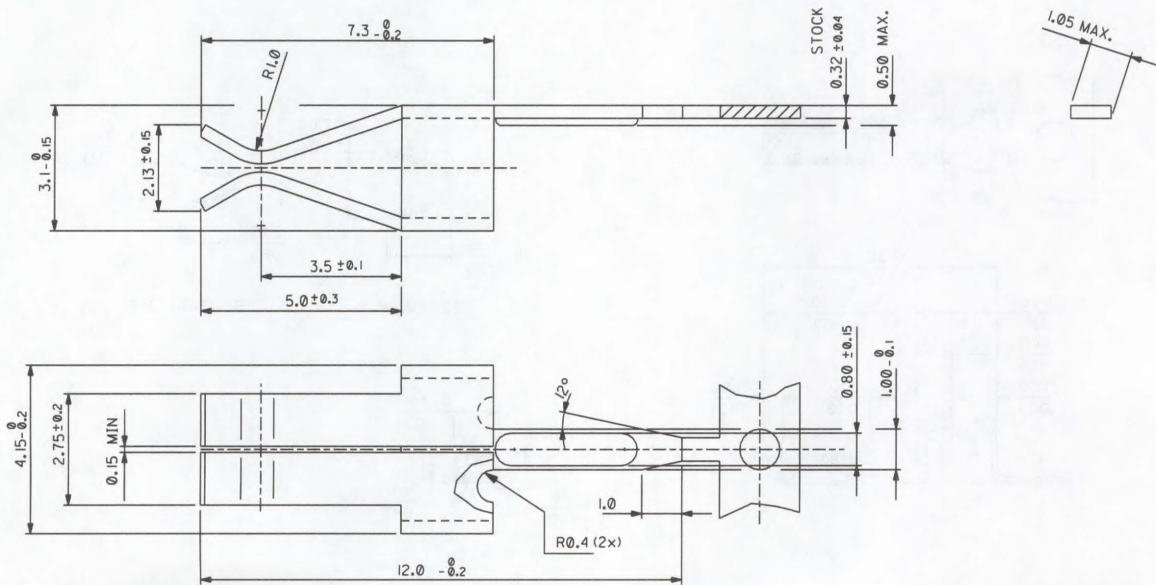
molex® Mini-T Terminal

90030

**Standard Terminal
 With Solder Post**



CATALOG DRAWING (FOR REFERENCE ONLY)



ORDERING INFORMATION

Order No.	
Reel Form	Bag Form
90030-0001	90030-1001

FEATURES AND SPECIFICATIONS

Features and Benefits

- Unique spring-beam design provides high pressure and small deflection for high vibration applications
- Stabilizing bump at tip keeps terminal in place during mating

Reference Information

Packaging: Reel or bag

Use With: 52213

Designed In: Millimeters

Electrical

Voltage: 25V

Current: AVSS/CAVS 0.50 sq. (20 AWG)—4.0A

AVSS/CAVS 0.30 sq. (22 AWG)—3.0A

Physical

Contact: Phosphor Bronze

Plating: Tin

Wire Range: AVSS/CAVS 0.30 sq., 0.50 sq. (20 to 22 AWG)

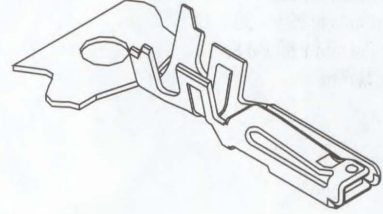
Insulation Range: 1.40 to 1.90mm

Strip Length: 2.00 to 2.50mm

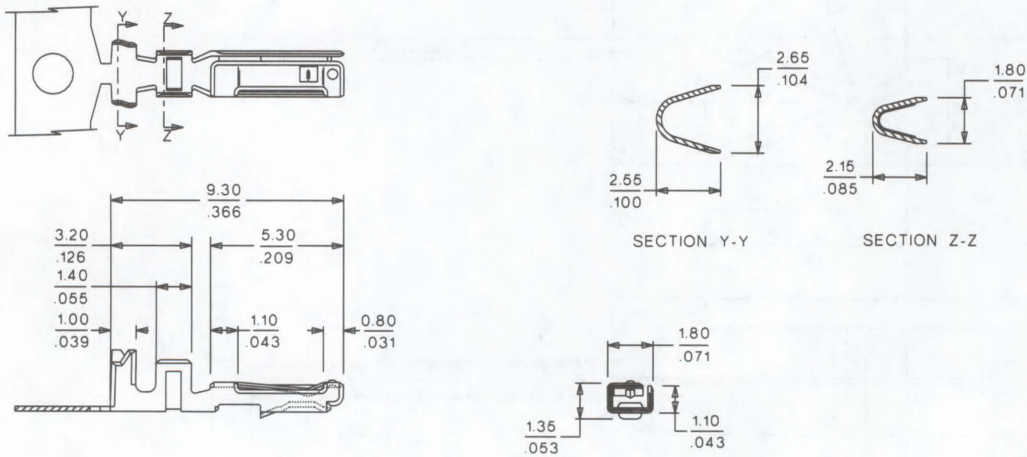


2.50mm (.098") Pitch Splash Proof Wire-to-Wire Crimp Terminal

50148



CATALOG DRAWING (FOR REFERENCE ONLY)



ORDERING INFORMATION

Order No.	Packaging
50148-8000	Reel
50148-8100	Bag

FEATURES AND SPECIFICATIONS

Features and Benefits

- Seal is in housing to simplify crimping process
- Raised split-beam design provides polarization

Reference Information

Packaging: Reel or bag
 Use With: 52266
 Designed In: Millimeters

Electrical

Voltage: 25V
 Current: AVSS/CAVS 0.50 sq. (20 AWG)—4.0A
 AVSS/CAVS 0.30 sq. (22 AWG)—3.0A

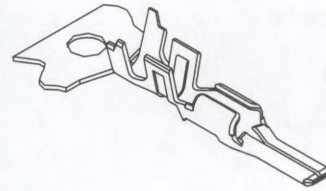
Physical

Contact: Phosphor Bronze
 Plating: Tin
 Wire Range: AVSS/CAVS 0.30 sq., 0.50 sq. (20 to 22 AWG)
 Insulation Range: 1.40 to 1.90mm
 Strip Length: 2.00 to 2.50mm

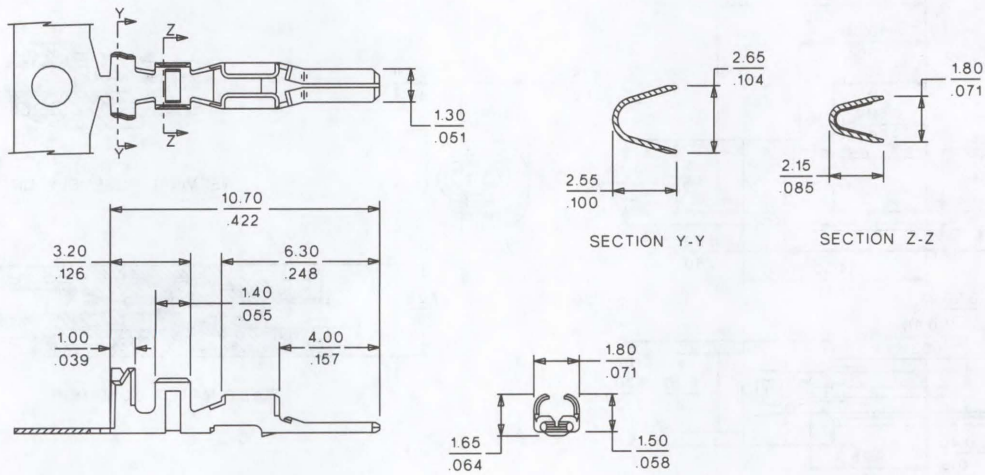


2.50mm (.098") Pitch Splash Proof Wire-to-Wire Crimp Terminal

50147



CATALOG DRAWING (FOR REFERENCE ONLY)



ORDERING INFORMATION

Order No.	Packaging
50147-8000	Reel
50147-8100	Bag

FEATURES AND SPECIFICATIONS

Features and Benefits

- Size 2 circuits
- JIS D0203 S2 waterproof compliant
- Unique seal stopper design provides low insertion force
- For tight packaging applications
- User-friendly friction lock saves space and protects locking latch area
- Polarizing rib to ensure proper mating

Reference Information

Packaging: Tray
 Mates With: 52266
 Use With: 50148
 Designed In: Millimeters

Electrical

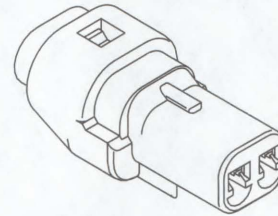
Voltage: 25V
 Current: 4.0A
 Contact Resistance: 10mΩ max.
 Dielectric Withstanding Voltage: 500V AC/1 min.
 Insulation Resistance: 250 MΩ min.

Physical

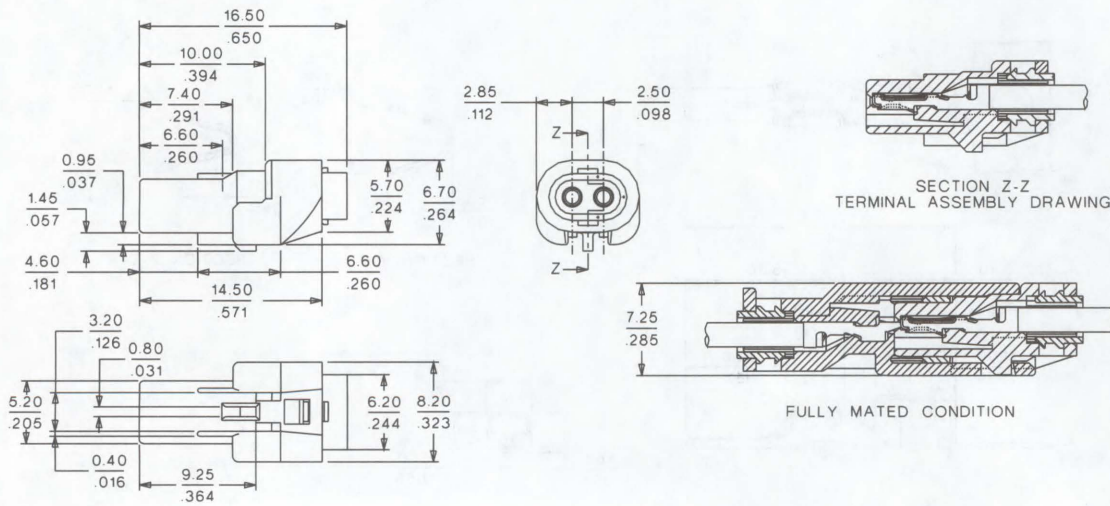
Housing: Black glass-filled PBTP
 Cap: Glass-filled PBTP
 Wire End Seal: Silicone
 Operating Temperature: -40 to +105°C

molex® 2.50mm (.098") Pitch Splash Proof Wire-to-Wire Receptacle

52213 2-Circuit Version



CATALOG DRAWING (FOR REFERENCE ONLY)



ORDERING INFORMATION

Circuits	Order No.
2	52213-0211

FEATURES AND SPECIFICATIONS

Features and Benefits

- Sizes 3 and 4 circuits
- JIS D0203 S2 waterproof compliant
- Unique seal stopper design provides low insertion force
- For tight packaging applications
- User-friendly friction lock saves space and protects locking latch area
- One-body wire and seal enables tighter spacing between terminals

Reference Information

Packaging: Tray
 Mates With: 52266
 Use With: 50148
 Designed In: Millimeters

Electrical

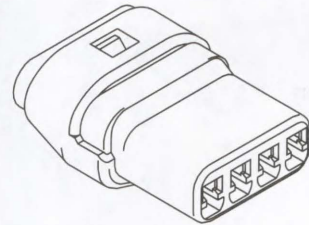
Voltage: 25V
 Current: 4.0A
 Contact Resistance: 10mΩ max.
 Dielectric Withstanding Voltage: 500V AC/1 min.
 Insulation Resistance: 250 MΩ min.

Physical

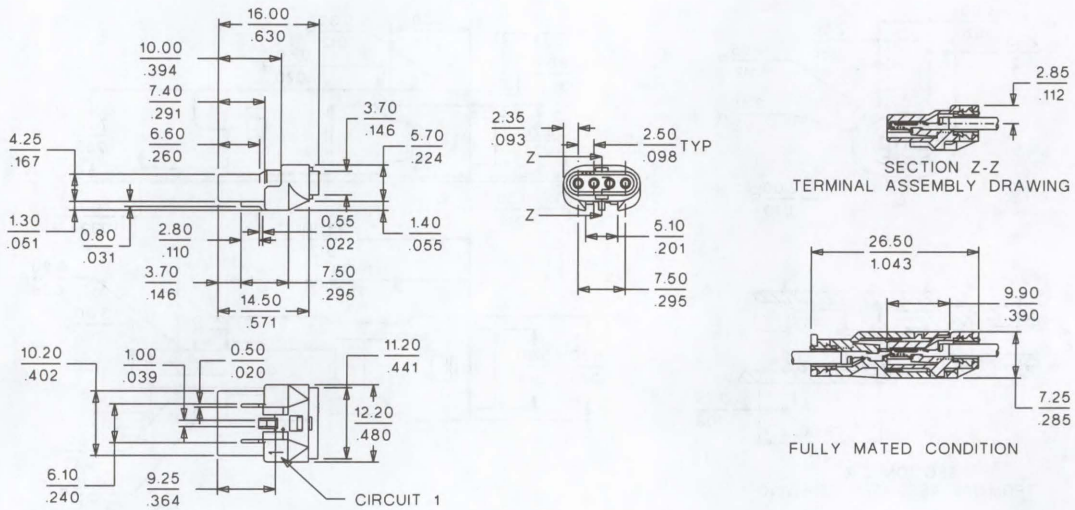
Housing/Cap: Glass-filled PBTP
 Wire End Seal: Silicone
 Operating Temperature: -40 to +105°C

molex® 2.50mm (.098") Pitch Splash Proof Wire-to-Wire Receptacle

52213 3 and 4-Circuit Version



CATALOG DRAWING (FOR REFERENCE ONLY)



ORDERING INFORMATION

Circuits	Order No.	Housing/Cap Color
3	52213-0311	Black
4	52213-0417	Brown

FEATURES AND SPECIFICATIONS

Features and Benefits

- Size 2 circuits
- JIS D0203 S2 waterproof compliant
- Unique seal stopper design provides low insertion force
- For tight packaging applications
- User-friendly friction lock saves space and protects locking latch area
- One-body wire and seal enables tighter spacing between terminals

Reference Information

Packaging: Tray
 Mates With: 52213
 Use With: 50147
 Designed In: Millimeters

Electrical

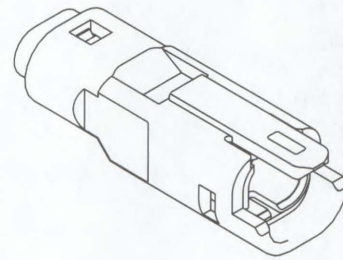
Voltage: 25V
 Current: 4.0A
 Contact Resistance: 10mΩ max.
 Dielectric Withstanding Voltage: 500V AC/1 min.
 Insulation Resistance: 250 MΩ min.

Physical

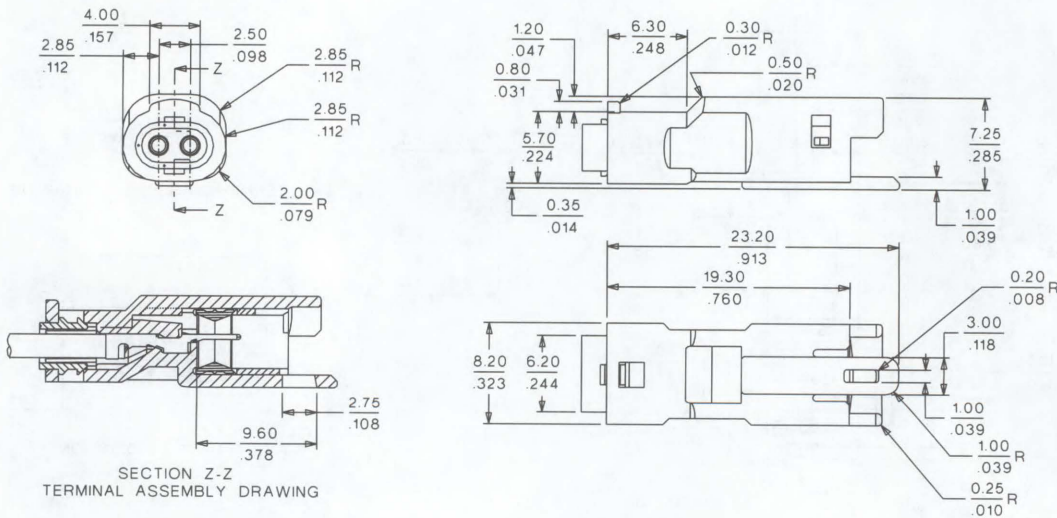
Housing: Black glass-filled PBTP
 Cap: Glass-filled PBTP
 Wire End Seal: Silicone
 Seal Stopper: Glass-filled PBTP
 Seal: Silicone
 Operating Temperature: -40 to +105°C

molex® 2.50mm (.098") Pitch Splash Proof Wire-to-Wire Plug

52266 2-Circuit Version



CATALOG DRAWING (FOR REFERENCE ONLY)



ORDERING INFORMATION

Circuits	Order No.
2	52266-0211

FEATURES AND SPECIFICATIONS

Features and Benefits

- Sizes 3 and 4 circuits
- JIS D0203 S2 waterproof compliant
- Unique seal stopper design provides low insertion force
- For tight packaging applications
- User-friendly friction lock saves space and protects locking latch area
- One-body wire and seal enables tighter spacing between terminals

Reference Information

Packaging: Tray
 Mates With: 52213
 Use With: 50147
 Designed In: Millimeters

Electrical

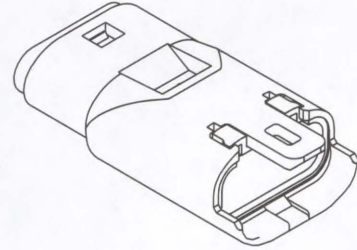
Voltage: 25V
 Current: 4.0A
 Contact Resistance: 10mΩ max.
 Dielectric Withstanding Voltage: 500V AC/1 min.
 Insulation Resistance: 250 MΩ min.

Physical

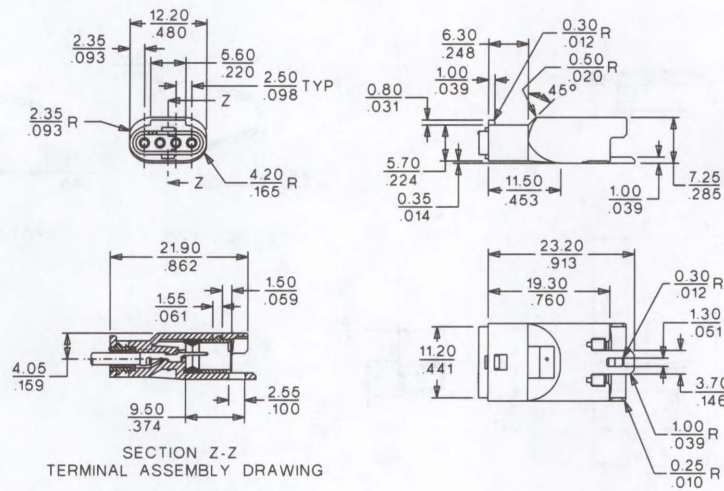
Housing/Cap: Glass-filled PBTP
 Wire End Seal: Silicone
 Seal Stopper: Glass-filled PBTP
 Seal: Silicone
 Operating Temperature: -40 to +105°C

molex® 2.50mm (.098") Pitch Splash Proof Wire-to-Wire Plug

52266 3 and 4-Circuit Version



CATALOG DRAWING (FOR REFERENCE ONLY)



ORDERING INFORMATION

Circuits	Order No.	Housing/Cap Color
3	52266-0311	Black
4	52266-0417	Brown

FEATURES AND SPECIFICATIONS

Features and Benefits

- Unique spring-beam design provides high pressure and small deflection for high vibration applications

Reference Information

Packaging: Chain or loose
 Use With: 52117
 Designed In: Millimeters

Electrical

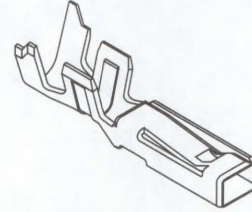
Voltage: 250V
 Current: 3.0A

Physical

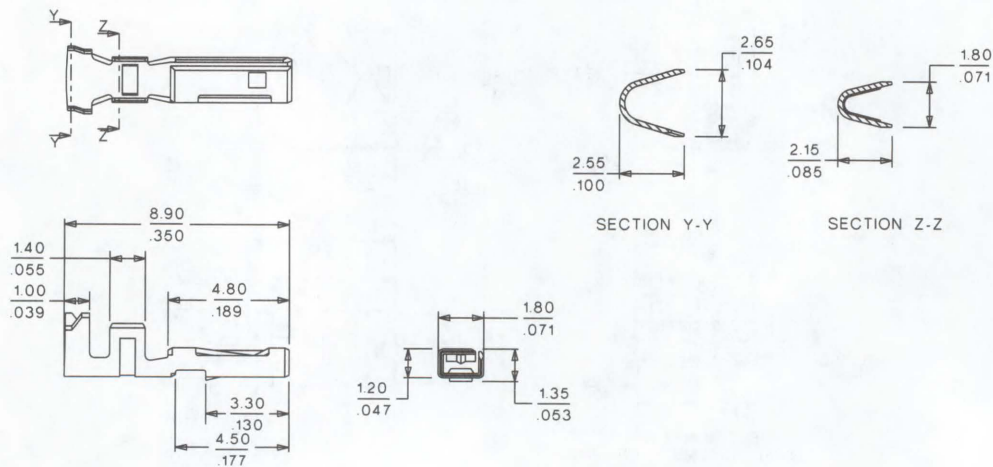
Contact: Phosphor Bronze
 Plating: Tin
 Wire Range: AVS 0.30 sq., CAVS 0.50 sq. (20 to 22 AWG)
 Insulation Range: 1.50 to 1.90mm
 Strip Length: 2.00 to 2.50mm

molex® 2.50mm (.098") Pitch Splash Proof Wire-to-Wire Crimp Terminal

50039



CATALOG DRAWING (FOR REFERENCE ONLY)



ORDERING INFORMATION

Order No.	Packaging
50039-8000	Chain
50039-8100	Loose

FEATURES AND SPECIFICATIONS

Features and Benefits

- Seal is in housing to simplify crimping process
- Raised body design provides polarization

Reference Information

Packaging: Chain or loose
 Use With: 52116
 Designed In: Millimeters

Electrical

Voltage: 250V
 Current: 3.0A

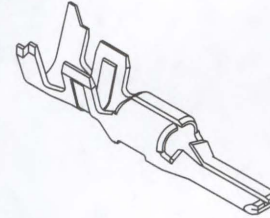
Physical

Contact: Phosphor Bronze
 Plating: Tin
 Wire Range: AVS 0.30 sq., CAVS 0.50 sq. (20 to 22 AWG)
 Insulation Range: 1.50 to 1.90mm
 Strip Length: 2.00 to 2.50mm

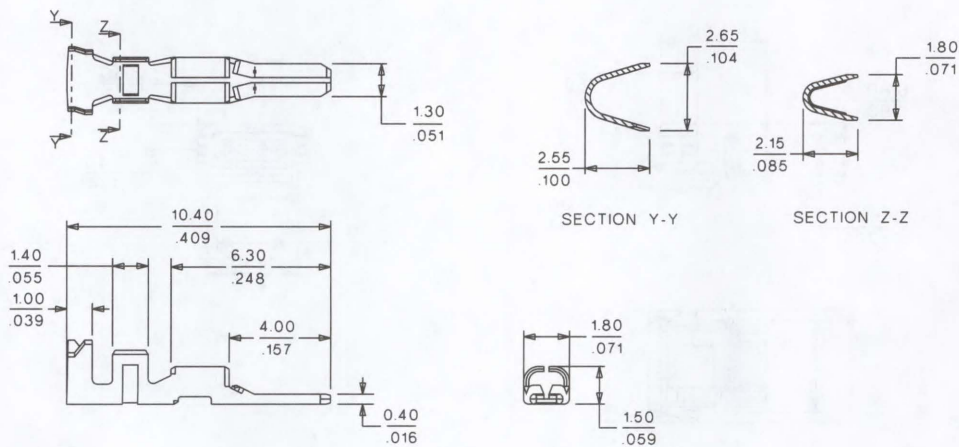


2.50mm (.098") Pitch Splash Proof Wire-to-Wire Crimp Terminal

50038



CATALOG DRAWING (FOR REFERENCE ONLY)



ORDERING INFORMATION

Order No.	Packaging
50038-8000	Chain
50038-8100	Loose

FEATURES AND SPECIFICATIONS

Features and Benefits

- Sizes 2 to 4 circuits
- JIS D0203 S2 compliant
- User friendly friction lock provides secure connection

Reference Information

Packaging: Tray
 Mates With: 52116 housing
 Use With: 50039 terminal
 Designed In: Millimeters

Electrical

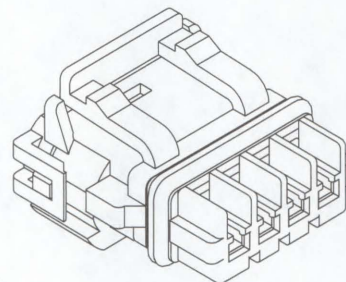
Voltage: 250V
 Current: 3.0A max.
 Contact Resistance: 10mΩ max.
 Dielectric Withstanding Voltage: 500V AC/1 min.
 Insulation Resistance: 250 MΩ min.

Physical

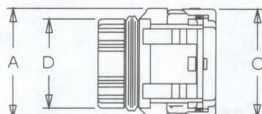
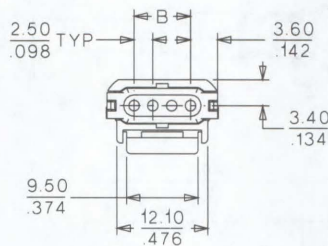
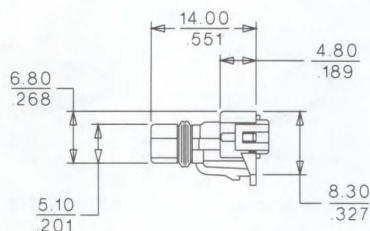
Housing: Glass-filled PBTP
 Cap: Glass-filled PBTP
 Seal: Silicon
 Operating Temperature: -40 to +105°C

molex® 2.50mm (.098") Pitch Splash Proof Wire-to-Wire Receptacle Housing

52117



CATALOG DRAWING (FOR REFERENCE ONLY)



ORDERING INFORMATION AND DIMENSIONS

Circuits	Order No.	Dimension			
		A	B	C	D
2	52117-024X	12.40 (.488)	5.00 (.196)	12.20 (.480)	9.60 (.378)
3	52117-034X	12.40 (.488)	5.00 (.196)	12.20 (.480)	9.60 (.378)
4	52117-041X	14.90 (.586)	7.50 (.295)	14.70 (.578)	12.10 (.476)

Note: Replace X with
 0 = White color
 1 = Black color
 2 = Red color (available in 2 and 3 circuits only)

FEATURES AND SPECIFICATIONS

Features and Benefits

- Sizes 2 to 4 circuits
- JIS D0203 S2 compliant
- User friendly friction lock provides secure connection

Reference Information

Packaging: Tray
 Mates With: 52117 housing
 Use With: 50038 terminal
 Designed In: Millimeters

Electrical

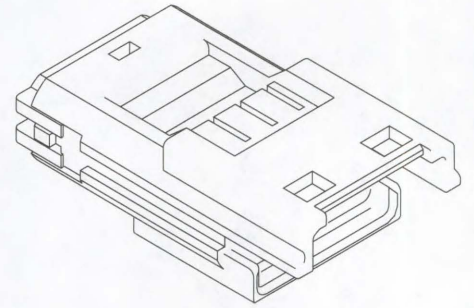
Voltage: 250V
 Current: 3.0A max.
 Contact Resistance: 10mΩ max.
 Dielectric Withstanding Voltage: 500V AC/1 min.
 Insulation Resistance: 250 MΩ min.

Physical

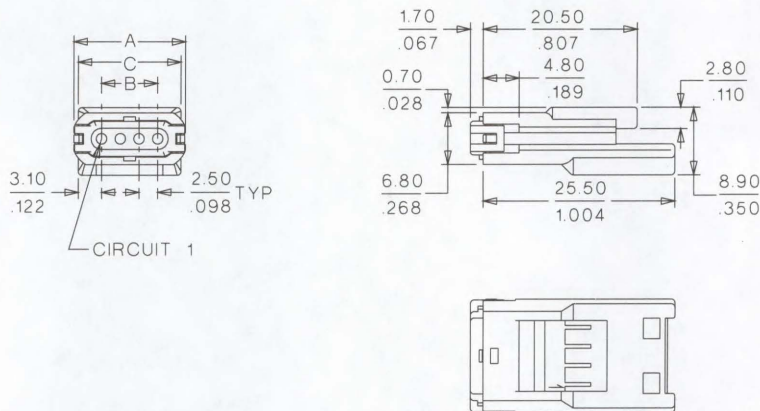
Housing: Glass-filled PBTP
 Cap: Glass-filled PBTP
 Seal: Silicon
 Operating Temperature: -40 to +105°C

molex® 2.50mm (.098") Pitch Splash Proof Wire-to-Wire Plug Housing

52116



CATALOG DRAWING (FOR REFERENCE ONLY)



ORDERING INFORMATION AND DIMENSIONS

Circuits	Order No.	Dimension		
		A	B	C
2	52116-024X	12.40 (.488)	5.00 (.196)	11.20 (.441)
3	52116-034X	12.40 (.488)	5.00 (.196)	11.20 (.441)
4	52116-041X	14.90 (.587)	7.50 (.295)	13.70 (.539)

Note: Replace X with
 0 = White color
 1 = Black color
 2 = Red color (available in 2 and 3 circuits only)

3000 - 045 - 1000
Date: 1/15/2021
Page: 1 of 1

1. Name: [Name]
2. Address: [Address]
3. City: [City]
4. State: [State]
5. Zip: [Zip]



Item No.	Description	Quantity	Unit Price	Total Price
1	[Description]	1	[Price]	[Total]
2	[Description]	1	[Price]	[Total]