

3.00 to 7.92mm (.118 to .312") Pitch PCB and Wire Connectors

KK[®] and SPOX[™] Connectors

3.96mm (.156") Pitch	D-2 to D-49
5.00mm (.197") Pitch	D-50 to D-54
5.08mm (.200") Pitch	D-55 to D-79
7.92mm (.312") Pitch	D-80
Accessories	D-81 to D-83

Positive Lock Connectors

3.00mm (.156") Pitch Board-to-Board	D-84 to D-86
3.50/7.00mm (.138/.276") Pitch Wire-to-Wire and Wire-to-Board	D-87 to D-94
3.96mm (.156") Pitch Wire-to-Board	D-95 to D-96
3.96/7.92mm (.156/.312") Pitch Wire-to-Board	D-97 to D-106
7.92mm (.312") Pitch Wire-to-Board	D-107 to D-109

SMT Board-to-Board One-Piece Compression Connectors

3.70mm (.146") Pitch, 2.85mm (.112") Height	D-110
3.70mm (.146") Pitch, 3.90mm (.154") Height	D-111

Board-In Connectors

4.00mm (.158") Pitch	D-112 to D-113
Stand-Alone Terminals	D-114 to D-116

Application Tooling D-117 to D-120

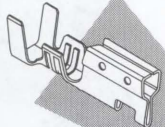


For more information, please see the last page of the catalog for the location nearest you or contact:

D

3.00 to 7.92mm (.118 to .312") Pitch

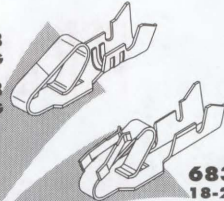
5194
18-24 AWG
5225
22-28 AWG
 4 point contact
for high vibration



**WIRE-TO-BOARD
 CRIMP**

2478
18-20 AWG

2578
22-26 AWG

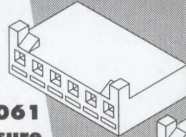


6838
18-20 AWG

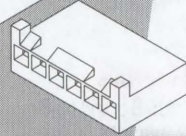
7258
22-28 AWG

Trifurcon™
3 point contact
for high vibration

43061
High Pressure
Also available without ramp & ribs
or with ramp only



41695
Also available without ramp & ribs
or with ramp only



3069
Only available with or without ramp

**BREAKAWAY
 HEADERS**

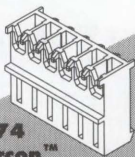
41661
41662
41671
41681
41682
41672

**SOLID
 HEADERS**

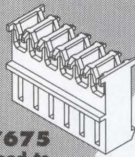
Press-fit or snap-in peg options
also available in all
header versions

41771
(Square pin - shown)
41741
(Round pin)
41792
(Square pin only)
41791
(Square pin - shown)
41761
(Round pin)
41772
(Square pin only)

7674
Trifurcon™
Feed-to (shown)
& feed thru

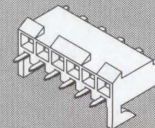


7675
Feed-to
& feed thru (shown)



**WIRE-TO-BOARD
 INSULATION
 DISPLACEMENT**

41815
Side, bottom (shown), & top entry
BOARD-TO-BOARD



FEATURES AND SPECIFICATIONS

Features and Benefits

- Double cantilever design
- Single beam terminal is available for low insertion force 7821 Series (contact Molex)
- For low-level current and voltage use Gold plating
- Phosphor Bronze is recommended for rated current
- Complete line of terminal crimping equipment available (see Application Tooling section of this catalog)

Reference Information

Product Specification: PS-08-50
 Packaging: Reel or bag
 Tooling Information: See crimp tooling section
 UL File No.: E29179
 CSA File No.: LR19980
 Use With: 2139, 3069 and 41695
 Designed In: Inches

Electrical

Voltage: 250V AC max.
 Current:

AWG	18	20	22	24	26
Phosphor Bronze (A) max.	7.00	6.25	5.50	5.00	4.50
Brass (A) max.	5.00	4.75	4.50	4.25	4.00

Contact Resistance: 6mΩ max.
 Dielectric Withstanding Voltage: 1500V AC
 Insulation Resistance: 50K MΩ min.

Mechanical

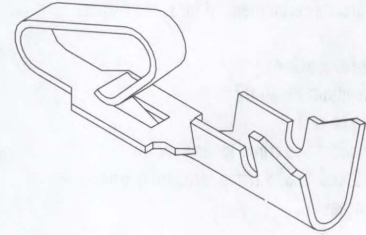
Contact Insertion Force: 1.8kg (4 lb) max.
 Contact Retention to Housing: 3.6kg (8 lb) min.
 Wire Pull-Out Force: 20 lb max./18 AWG
 Normal Force: 0.75kg (1.65 lb)
 Durability: 25 cycles max.

Physical

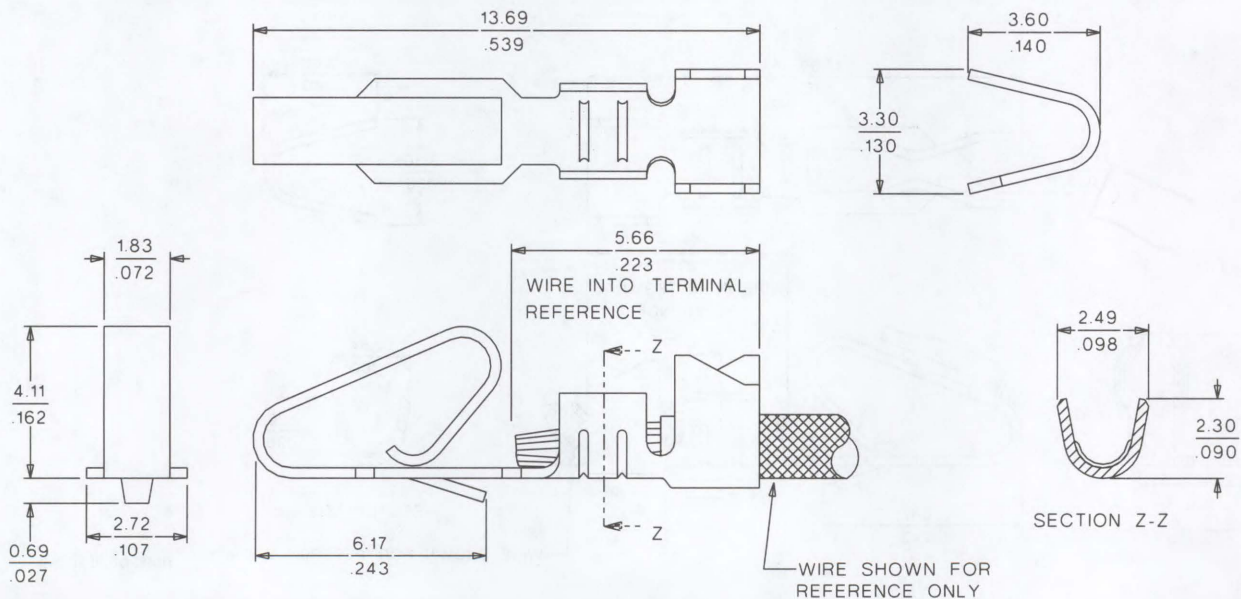
Contact: Brass or Phosphor Bronze
 Plating: See Table
 Operating Temperature: Phosphor Bronze—0 to +75°C
 Brass—0 to +50°C

molex® **3.96mm (.156") Pitch**
KK®
Crimp Terminal

2478/2578



CATALOG DRAWING (FOR REFERENCE ONLY)



Note: 2478 shown

ORDERING INFORMATION AND DIMENSIONS

Wire Size AWG	Insulation OD	Series	Material	Order No.					
				Tin Plating		Gold Plating No. 1		Gold Plating No. 2	
				Bag	Reel	Bag	Reel	Bag	Reel
18-20	2.79 (.110) max.	2478	Phosphor Bronze	• 08-52-0072	• 08-52-0071	• 08-58-0122	• 08-58-0121	• 08-65-0115	• 08-65-0114
18-20	2.79 (.110) max.	2478	Brass	08-50-0106	08-50-0105	08-56-0106	08-56-0105	08-55-0104	08-55-0103
22-26	1.65 (.065) max.	2578	Phosphor Bronze	• 08-50-0134	• 08-50-0133	• 08-58-0126	• 08-58-0125	• 08-65-0117	• 08-65-0116
22-26	1.65 (.065) max.	2578	Brass	08-50-0108	08-50-0107	08-56-0108	08-56-0107	08-55-0106	08-55-0105

• US Standard Product, available through Molex franchised distributors
 Recommended wire range assumes stranded wire
 Plating No. 1: 20μ" min. Gold in contact area with a flash overall
 Plating No. 2: 15μ" min. Gold in contact area only

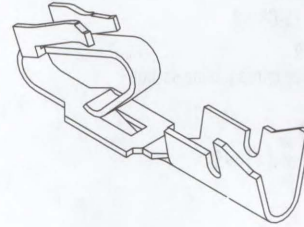
3.00 to 7.92mm (.118 to .312") Pitch

D

molex® 3.96mm (.156") Pitch KK® Crimp Terminal

6838/7258/6438

Trifurcon™



FEATURES AND SPECIFICATIONS

Features and Benefits

- Complete line of terminal crimping equipment available (see Application Tooling section of this catalog)
- Accommodates 18 to 26 AWG
- Trifurcon design provides 3 distinct points of contact
- Ideal choice where high shock or vibration exists
- For low current/voltage, Gold is recommended
- Phosphor Bronze recommended for rated current

Reference Information

Product Specification: PS-40-02
Packaging: Bag or reel
Tooling Information: See crimp tooling section
Use With: 6442 and 41695 crimp terminal housings
Designed In: Inches

Electrical

Voltage: 250V AC max.
Current:

AWG	18	20	22	24	26
Phosphor Bronze (A) max.	7.00	6.25	5.50	5.00	4.50
Brass (A) max.	5.00	4.75	4.50	4.25	4.00

Contact Resistance: 6mΩ max.
Dielectric Withstanding Voltage: 1500V AC
Insulation Resistance: 50K MΩ min.

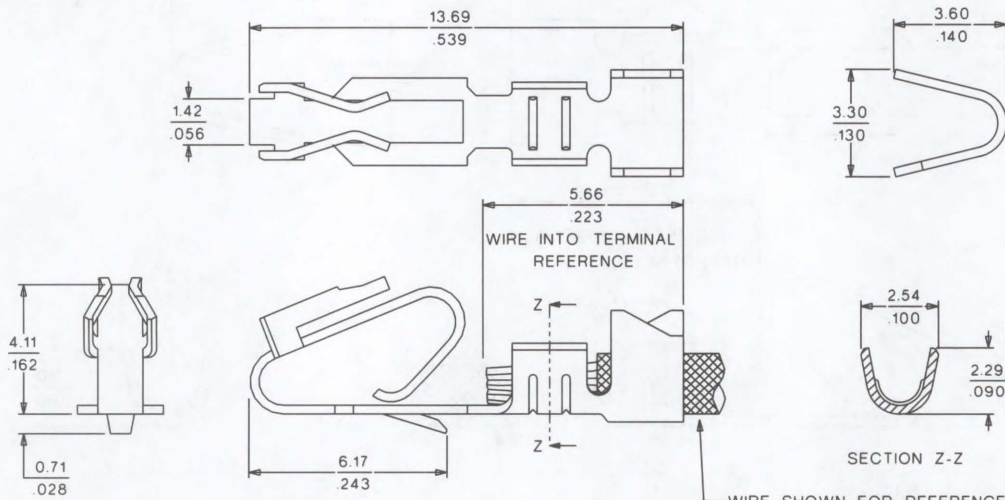
Mechanical

Contact Insertion Force: 1.8kg (4 lb) max.
Contact Retention to Housing: 3.6kg (8 lb) min.
Wire Pull-Out Force: 20 lb max./18 AWG
Normal Force: 0.75kg (1.65 lb)
Durability: 25 cycles max.

Physical

Contact: Brass or Phosphor Bronze
Plating: See Table
Operating Temperature: Phosphor Bronze—0 to +75°C
Brass—0 to +50°C

CATALOG DRAWING (FOR REFERENCE ONLY)



WIRE SHOWN FOR REFERENCE ONLY

Note: 6838 shown

ORDERING INFORMATION AND DIMENSIONS

Wire Size AWG	Insulation OD	Series	Material	Order No.					
				Tin Plating		Gold Plating		Select Gold Plating	
				Bag	Reel	Bag	Reel	Bag	Reel
18-20	2.79 (.110) max.	6838	Phosphor Bronze	• 08-52-0113	• 08-52-0112	• 08-58-0189	• 08-58-0187	• 08-58-0111	• 08-58-0110
18-20	2.79 (.110) max.	6838	Brass	08-50-0189	08-50-0187				
22-26	1.65 (.065) max.	7258	Phosphor Bronze	• 08-52-0125	• 08-52-0124	• 08-56-0124	• 08-56-0123	• 08-65-0122	• 08-65-0121
22-26	1.65 (.065) max.	7258	Brass	08-50-0185	08-50-0183				
18-20	2.41 (.095) max.	6438	Brass	08-50-0165	08-50-0164	08-56-0139	08-56-0137	08-56-0133	08-56-0135

• US Standard Product, available through Molex franchised distributors

3.00 to 7.92mm (.118 to .312") Pitch

D

FEATURES AND SPECIFICATIONS

Features and Benefits

- For 3.96mm (.156") applications
- Double cantilever design
- For low-level current and voltage use Gold plating
- Complete line of terminal crimping equipment available (see the Application Tooling section of this catalog)
- Anti-fishhooking helps prevent terminal tangling when discrete wire is bundled

Reference Information

Product Specification: PS-08-50
 Packaging: Bag or reel
 Tooling Information: See crimp tooling section
 UL File No.: E29179
 CSA File No.: LR19980
 Use With: 41695
 Designed In: Inches

Electrical

Voltage: 250V AC max.
 Current:
 Phosphor Bronze—7.0A max.
 Brass—5.0A max.
 Contact Resistance: 6mΩ max.
 Dielectric Withstanding Voltage: 1500V AC
 Insulation Resistance: 50K MΩ min.

Mechanical

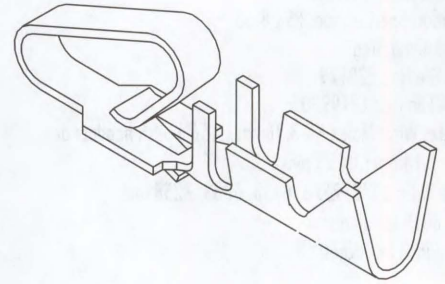
Contact Insertion Force: 1.8kg (4 lb) max.
 Contact Retention to Housing: 3.6kg (8 lb) min.
 Wire Pull-Out Force: 20 lb max./18 AWG
 Normal Force: 0.75kg (1.65 lb)

Physical

Contact: Brass or Phosphor Bronze
 Plating: See Table
 Operating Temperature: Phosphor Bronze—0 to +75°C
 Brass—0 to +50°C

molex® 3.96mm (.156") Pitch KK® Crimp Terminal

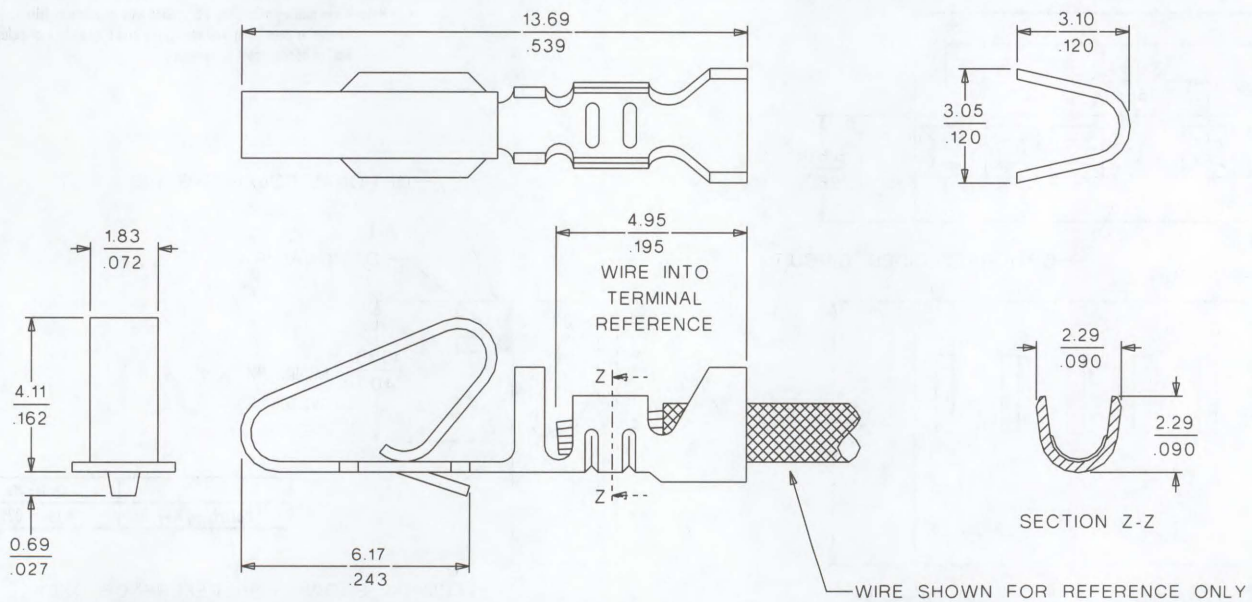
8818 Anti-Fishhooking



D

3.00 to 7.92mm (.118 to .312") Pitch

CATALOG DRAWING (FOR REFERENCE ONLY)



ORDERING INFORMATION AND DIMENSIONS

Wire Size AWG	Insulation OD	Material	Order No.					
			Tin Plating		Gold Plating No. 1		Gold Plating No. 2	
			Bag	Reel	Bag	Reel	Bag	Reel
18-22	2.90 (.095) max.	Phosphor Bronze	08-52-0132	08-52-0131	08-58-0136	08-58-0135	08-65-0129	08-65-0128
18-22	2.90 (.095) max.	Brass	08-50-0023	08-50-0008				

Note: Recommended wire range assumes stranded wire
 Plating No. 1: 20μ" min. Gold in contact area with a flash overall
 Plating No. 2: 15μ" min. Gold in contact area only

FEATURES AND SPECIFICATIONS

Features and Benefits

- Sizes 2 to 20 circuits
- Locking ramp feature available
- Polarizing rib feature available for side-to-side polarization
- Offset pin entry holes provide 180° polarization
- Accepts entire line of .156" contacts
- Optional voids available

Reference Information

Product Specification: PS-08-50

Packaging: Bag

UL File No.: E29179

CSA File No.: LR19980

Mates With: Molex KK 3.96mm (.156") pitch headers or 1.14mm (.045") pins

Use With: 2478, 2578, 6438, 6838, 7258 and

8818 terminals

Designed In: Inches

Electrical

Voltage: 250V AC max.

Current: Phosphor Bronze—7.0A max.

Brass—5.0A max.

Contact Resistance: 6mΩ max.

Dielectric Withstanding Voltage: 1500V AC

Insulation Resistance: 500K MΩ min.

Mechanical

Contact Insertion Force: 1.8kg (4 lb) max.

Contact Retention to Housing: 3.6kg (8 lb) min.

Mating Force: Square pin—2.25 lb max.

Round pin—1.60 lb max.

Unmating Force: Square pin—0.84 lb min.

Round pin—0.60 lb min.

Normal Force: 0.75kg (1.65 lb)

Durability: 25 cycles max.

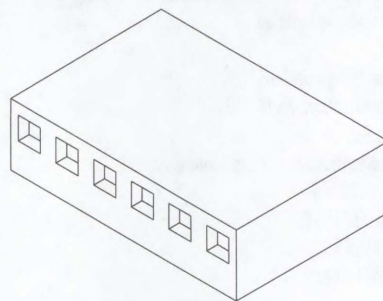
Physical

Housing: Polyester, UL 94V-0

Operating Temperature: 0 to +75°C

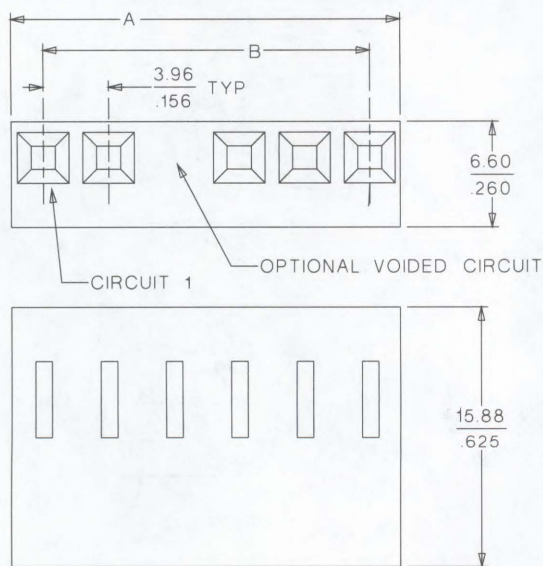
molex® 3.96mm (.156") Pitch KK® Crimp Terminal Housing

41695

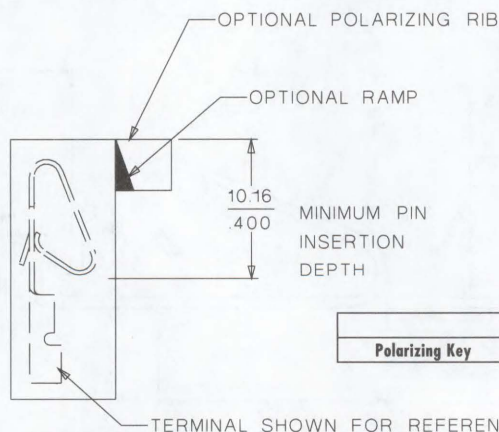


D 3.00 to 7.92mm (.118 to .312") Pitch

CATALOG DRAWING (FOR REFERENCE ONLY)



Note: When mating polarizing rib version with breakaway friction lock header or polarizing wall series, the end friction lock or polarizing wall of header must be removed.



Polarizing Key	Order No.
	• 15-04-0297

TERMINAL SHOWN FOR REFERENCE ONLY

ORDERING INFORMATION AND DIMENSIONS

Circuits	Order No.			Dimension	
	With Locking Ramp and Polarizing Ribs	Without Locking Ramp or Polarizing Ribs	With Locking Ramp Only	A	B
2	• 09-50-8023	• 09-50-8020	• 09-50-8021	8.79 (.346)	3.96 (.156)
3	• 09-50-8033	• 09-50-8030	• 09-50-8031	12.75 (.502)	7.92 (.312)
4	• 09-50-8043	• 09-50-8040	• 09-50-8041	16.71 (.658)	11.89 (.468)
5	• 09-50-8053	• 09-50-8050	• 09-50-8051	20.67 (.814)	15.85 (.624)
6	• 09-50-8063	• 09-50-8060	• 09-50-8061	24.64 (.970)	19.81 (.780)
7	• 09-50-8073	• 09-50-8070	• 09-50-8071	28.60 (1.126)	23.77 (.936)
8	• 09-50-8083	• 09-50-8080	• 09-50-8081	32.56 (1.282)	27.74 (1.092)
9	• 09-50-8093	• 09-50-8090	• 09-50-8091	36.53 (1.438)	31.70 (1.248)
10	• 09-50-8103	• 09-50-8100	• 09-50-8101	40.49 (1.594)	35.66 (1.404)
11	• 09-50-8113	• 09-50-8110	• 09-50-8111	44.45 (1.750)	39.62 (1.560)

• US Standard Product, available through Molex franchised distributors

Circuits	Order No.			Dimension	
	With Locking Ramp and Polarizing Ribs	Without Locking Ramp or Polarizing Ribs	With Locking Ramp Only	A	B
12	• 09-50-8123	• 09-50-8120	• 09-50-8121	48.41 (1.906)	43.59 (1.716)
13	• 09-50-8133	• 09-50-8130	• 09-50-8131	52.37 (2.062)	47.55 (1.872)
14	• 09-50-8143	• 09-50-8140	• 09-50-8141	56.34 (2.218)	51.51 (2.028)
15	• 09-50-8153	• 09-50-8150	• 09-50-8151	60.30 (2.374)	55.47 (2.184)
16	• 09-50-8163	• 09-50-8160	• 09-50-8161	64.26 (2.530)	59.44 (2.340)
17	• 09-50-8173	• 09-50-8170	• 09-50-8171	68.22 (2.686)	63.40 (2.496)
18	• 09-50-8183	• 09-50-8180	• 09-50-8181	72.19 (2.842)	67.36 (2.652)
19	• 09-50-8193	• 09-50-8190	• 09-50-8191	76.15 (2.998)	71.32 (2.808)
20	• 09-50-8203	• 09-50-8200	• 09-50-8201	80.11 (3.154)	75.28 (2.964)

FEATURES AND SPECIFICATIONS

Features and Benefits

- Sizes 2 to 24 circuits
- Locking ramp available
- Molded void options available
- Standard ramp options available
- Polarizing pegs and keys available
- End-to-end stackable

Reference Information

Product Specification: PS-08-50
 Packaging: Bag
 UL File No.: E29179
 CSA File No.: LR19980
 Mates With: Molex KK 3.96mm (.156") pitch headers or
 1.14mm (.045") pins
 Use With: 2478 and 2578
 Designed In: Inches

Electrical

Voltage: 250V AC max.
 Current: Phosphor Bronze—7.0A max.
 Brass—5.0A max.
 Contact Resistance: 6mΩ max.
 Dielectric Withstanding Voltage: 1500V AC
 Insulation Resistance: 50K MΩ min.

Mechanical

Contact Insertion Force: 1.8kg (4 lb) max.
 Contact Retention to Housing: 3.6kg (8 lb) min.
 Mating Force: Square pin—2.25 lb max.
 Round pin—1.60 lb max.
 Unmating Force: Square pin—0.84 lb min.
 Round pin—0.60 lb min.
 Normal Force: 0.75kg (1.65 lb)

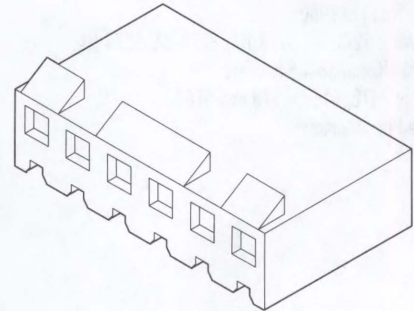
Physical

Housing: Nylon, UL 94V-2 (see 41695 for UL 94V-0 polyester)
 Operating Temperature: 0 to +75°C



3.96mm (.156") Pitch KK® Crimp Terminal Housing

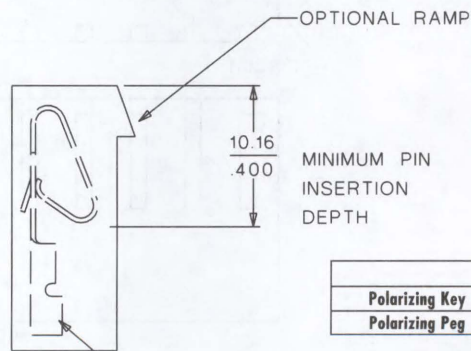
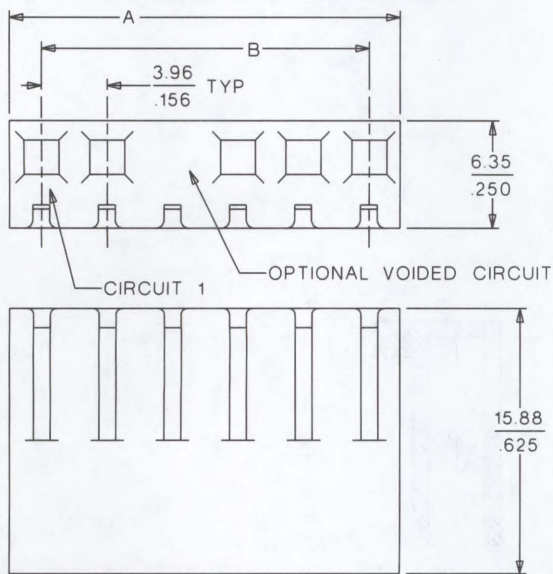
2139



D

3.00 to 7.92mm (.118 to .312") Pitch

CATALOG DRAWING (FOR REFERENCE ONLY)



	Order No.
Polarizing Key	• 15-04-0219
Polarizing Peg	• 15-04-0220

TERMINAL SHOWN FOR REFERENCE ONLY

ORDERING INFORMATION AND DIMENSIONS

Circuits	Order No.		Dimension	
	Without Locking Ramp	With Locking Ramp	A	B
2	• 09-50-7021	• 09-50-3021	7.92 (.310)	3.96 (.156)
3	• 09-50-7031	• 09-50-3031	11.79 (.460)	7.92 (.312)
4	• 09-50-7041	• 09-50-3041	15.75 (.620)	11.89 (.468)
5	• 09-50-7051	• 09-50-3051	19.71 (.780)	15.85 (.624)
6	• 09-50-7061	• 09-50-3061	23.67 (.930)	19.81 (.780)
7	• 09-50-7071	• 09-50-3071	27.64 (1.090)	23.77 (.936)
8	• 09-50-7081	• 09-50-3081	31.60 (1.240)	27.74 (1.092)
9	• 09-50-7091	• 09-50-3091	35.56 (1.400)	31.70 (1.248)
10	• 09-50-7101	• 09-50-3101	39.52 (1.560)	35.66 (1.404)
11	• 09-50-7111	• 09-50-3111	43.48 (1.710)	39.62 (1.560)
12	• 09-50-7121	• 09-50-3121	47.45 (1.870)	43.59 (1.716)
13	• 09-50-7131	• 09-50-3131	51.41 (2.020)	47.55 (1.872)

Circuits	Order No.		Dimension	
	Without Locking Ramp	With Locking Ramp	A	B
14	• 09-50-7141	• 09-50-3141	55.37 (2.180)	51.51 (2.028)
15	• 09-50-7151	• 09-50-3151	59.33 (2.340)	55.47 (2.184)
16	• 09-50-7161	• 09-50-3161	63.30 (2.492)	59.44 (2.340)
17	• 09-50-7171	• 09-50-3171	67.26 (2.648)	63.40 (2.496)
18	• 09-50-7181	• 09-50-3181	71.22 (2.804)	67.36 (2.652)
19	• 09-50-7191	• 09-50-3191	65.18 (2.960)	71.32 (2.808)
20	• 09-50-7201	• 09-50-3201	79.15 (3.116)	75.28 (2.964)
21	• 09-50-7211	• 09-50-3211	83.11 (3.272)	79.25 (3.120)
22	• 09-50-7221	• 09-50-3221	87.07 (3.428)	83.21 (3.276)
23	• 09-50-7231	• 09-50-3231	91.03 (3.584)	87.17 (3.432)
24	• 09-50-7241	• 09-50-3241	95.00 (3.740)	91.14 (3.588)

• US Standard Product, available through Molex franchised distributors
 Note: Use 41695 for .100" and over insulation diameter wire

FEATURES AND SPECIFICATIONS

Features and Benefits

- Sizes 2 to 12 circuits
- With locking ramp

Reference Information

Packaging: Bag
 UL File No.: E29179
 CSA File No.: LR19980
 Mates With: 5271-NA, 5272-NA, 5273-NA, 5274-NA,
 5096-NC and 53405 headers
 Use With: 2478, 5167, 2578 and 5168
 Designed In: Millimeters

Electrical

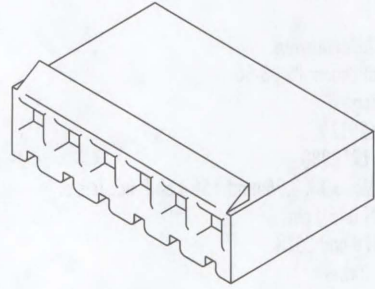
Voltage: 250V
 Current: 7.0A
 Contact Resistance: 10mΩ max.
 Dielectric Withstanding Voltage: 1500V AC/1 min.
 Insulation Resistance: 1000 MΩ min.

Physical

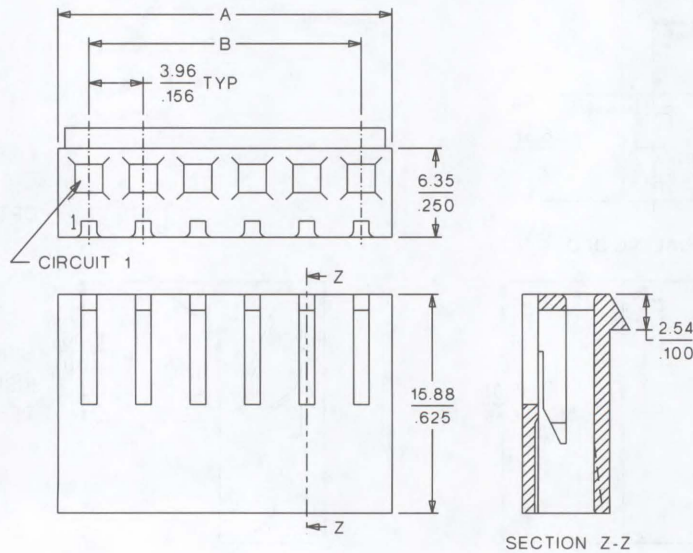
Housing: 6/6 nylon, UL 94V-2
 Operating Temperature: -40 to +105°C

molex® 3.96mm (.156") Pitch KK® Crimp Terminal Housing

5239-N



CATALOG DRAWING (FOR REFERENCE ONLY)



ORDERING INFORMATION AND DIMENSIONS

Circuits	Order No.	Dimension	
		A	B
2	09-52-4024	8.61 (.339)	3.96 (.156)
3	09-52-4034	12.57 (.495)	7.92 (.312)
4	09-52-4044	16.53 (.651)	11.88 (.468)
5	09-52-4054	20.49 (.807)	15.84 (.624)
6	09-52-4064	24.45 (.963)	19.80 (.780)
7	09-52-4074	28.41 (1.119)	23.76 (.935)
8	09-52-4084	32.37 (1.274)	27.72 (1.091)
9	09-52-4094	36.33 (1.430)	31.68 (1.247)
10	09-52-4104	40.29 (1.586)	35.64 (1.403)
11	09-52-4114	44.25 (1.742)	39.60 (1.559)
12	09-52-4124	48.21 (1.898)	43.56 (1.715)

3.00 to 7.92mm (.118 to .312") Pitch

D

FEATURES AND SPECIFICATIONS

Features and Benefits

- Sizes 2 to 11 circuits
- With locking ramp
- Second circuit blank for polarization

Reference Information

Packaging: Bag
 UL File No.: E29179
 CSA File No.: LR19980
 Mates With: 5275-NA, 5276-NA, 5277-NA and
 5278-NA headers
 Use With: 2478, 5167, 2578 and 5168
 Designed In: Millimeters

Electrical

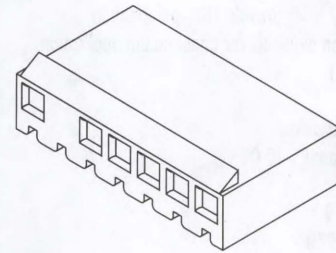
Voltage: 250V
 Current: 7.0A
 Contact Resistance: 10mΩ max.
 Dielectric Withstanding Voltage: 1500V AC/1 min.
 Insulation Resistance: 1000 MΩ min.

Physical

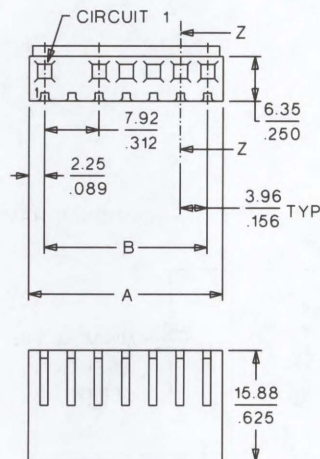
Housing: 6/6 nylon, UL 94V-2
 Operating Temperature: -40 to +105°C

molex® 3.96mm (.156") Pitch KK® Crimp Terminal Housing

5265-N



CATALOG DRAWING (FOR REFERENCE ONLY)



ORDERING INFORMATION AND DIMENSIONS

Circuits	Order No.	Dimension	
		A	B
2	09-76-1020	12.57 (.495)	7.92 (.312)
3	09-76-1030	16.53 (.651)	11.88 (.468)
4	09-76-1040	20.49 (.807)	15.84 (.624)
5	09-76-1050	24.45 (.963)	19.80 (.780)
6	09-76-1060	28.41 (1.119)	23.76 (.935)
7	09-76-1070	32.37 (1.274)	27.72 (1.091)
8	09-76-1080	36.33 (1.430)	31.68 (1.247)
9	09-76-1090	40.29 (1.586)	35.64 (1.403)
10	09-76-1100	44.25 (1.742)	39.60 (1.559)
11	09-76-1110	48.21 (1.898)	43.56 (1.715)

3.00 to 7.92mm (.118 to .312") Pitch

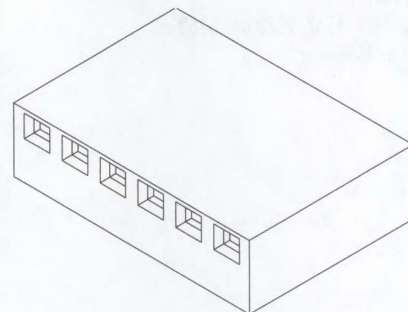
D



3.96mm (.156") Pitch KK[®] Crimp Terminal Housing

6442

Use with Trifurcon[™] Terminals



FEATURES AND SPECIFICATIONS

Features and Benefits

- Sizes 2 to 24 circuits
- Available with voided circuits in various locations
- Optional continuous locking ramp on housings for up to 8 circuits; for housings with more than 8 circuits, ramp spans 4 circuits on each end
- Polarizing keys and pegs available
- Offset pin entry holes provide 180° polarization
- Side hook option available for panel mount applications (contact Molex)

Electrical

Voltage: 250V AC max.
Current: Phosphor Bronze—7.0A max.
Brass—5.0A max.
Contact Resistance: 6mΩ max.
Dielectric Withstanding Voltage: 1500V AC
Insulation Resistance: 50K MΩ min.

Mechanical

Contact Insertion Force: 1.8kg (4 lb)
Contact Retention to Housing: 3.6kg (8 lb)
Wire Pull-Out Force: 20 lb max./18 AWG
Mating Force: Square pin—2.25 lb max.
Round pin—1.60 lb max.
Unmating Force: Square pin—0.84 lb min.
Round pin—0.60 lb min.
Normal Force: 0.75kg (1.65 lb)

Physical

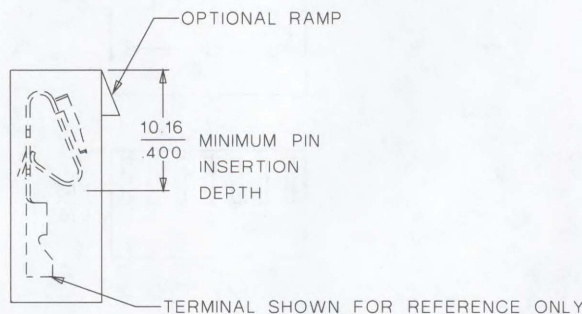
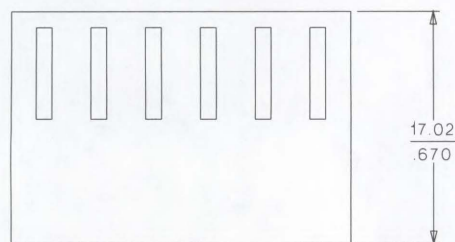
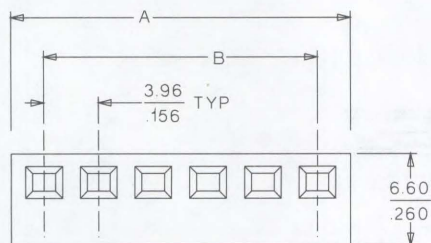
Housing: Nylon, UL 94V-2 (see 41695 for polyester, 94V-0)
Operating Temperature: 0 to +75°C

Reference Information

Product Specification: PS-40-02
Packaging: Bag
UL File No.: E29179
CSA File No.: LR19980
TUV File No.: R75108
Mates With: Molex KK 3.96mm (.156") pitch headers or 1.14mm (.045") pins
Use With: 6438, 6838 and 7258 Trifurcon terminals
Designed In: Inches

D 3.00 to 7.92mm (.118 to .312") Pitch

CATALOG DRAWING (FOR REFERENCE ONLY)



ORDERING INFORMATION AND DIMENSIONS

Circuits	Order No.		Dimension	
	With Ramp	Without Ramp	A	B
2	• 26-03-4020	26-03-3021	8.74 (.344)	3.96 (.156)
3	• 26-03-4030	26-03-3031	12.70 (.500)	7.92 (.312)
4	• 26-03-4041	26-03-3041	16.66 (.656)	11.89 (.468)
5	• 26-03-4050	26-03-3051	20.62 (.812)	15.85 (.624)
6	• 26-03-4061	26-03-3061	24.59 (.968)	19.81 (.780)
7	• 26-03-4070	26-03-3071	28.55 (1.124)	23.77 (.936)
8	• 26-03-4081	26-03-3081	32.51 (1.280)	27.74 (1.092)
9	• 26-03-4090	26-03-3091	36.47 (1.436)	31.70 (1.248)
10	• 26-03-4101	26-03-3101	40.44 (1.592)	35.66 (1.404)
11	• 26-03-4111	26-03-3111	44.40 (1.748)	39.62 (1.560)
12	• 26-03-4121	26-03-3121	48.36 (1.904)	43.59 (1.716)
13	• 26-03-4131	26-03-3131	52.31 (2.060)	47.55 (1.872)

Circuits	Order No.		Dimension	
	With Ramp	Without Ramp	A	B
14	• 26-03-4141	26-03-3141	56.29 (2.216)	51.51 (2.028)
15	• 26-03-4151	26-03-3151	60.25 (2.372)	55.47 (2.184)
16	• 26-03-4161	26-03-3161	64.21 (2.528)	59.44 (2.340)
17	• 26-03-4171	26-03-3171	68.17 (2.684)	63.40 (2.496)
18	• 26-03-4181	26-03-3181	72.14 (2.840)	67.36 (2.652)
19	• 26-03-4191	26-03-3191	76.10 (2.996)	71.32 (2.808)
20	• 26-03-4201	26-03-3201	80.06 (3.152)	75.28 (2.964)
21	• 26-03-4211	26-03-3211	84.02 (3.308)	79.25 (3.120)
22	• 26-03-4221	26-03-3221	87.99 (3.464)	83.21 (3.276)
23	• 26-03-4231	26-03-3231	91.95 (3.620)	87.17 (3.432)
24	• 26-03-4241	26-03-3241	95.91 (3.776)	91.14 (3.588)

• US Standard Product, available through Molex franchised distributors

FEATURES AND SPECIFICATIONS

Features and Benefits

- Sizes 2 to 24 circuits
- With or without locking ramp

Reference Information

Product Specification: PS-08-50

Packaging: Bag

UL File No.: E29179

CSA File No.: LR19980

Mates With: 2220, 3190, 3192, 3243, 3246, A4042, 41661, 41662, 41671, 41672, 41681, 41682, 41701, 41711, 41721, 41741, 41761, 41771, 41772, 41791, 41792, 42441, 42461, 42471, 42491 and 42492

Use With: Molex double cantilever crimp terminals

Designed In: Inches

Electrical

Voltage: 250V

Current: 7.0A

Contact Resistance: 20mΩ max.

Dielectric Withstanding Voltage: 1500V

Insulation Resistance: 500K MΩ min.

Mechanical

Contact Insertion Force: 4 lb max.

Contact Retention to Housing: 8 lb min.

Wire Pull-Out Force: 5 lb min.

Mating Force: 24 oz max.

Unmating Force: 4 oz min.

Normal Force: 350g

Durability: 25 cycles

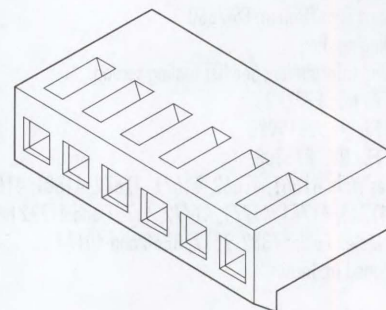
Physical

Housing: Nylon, UL 94V-2

Operating Temperature: 0 to +75°C

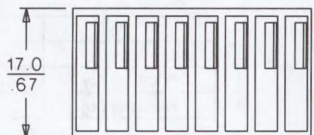
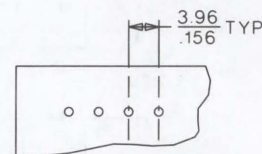
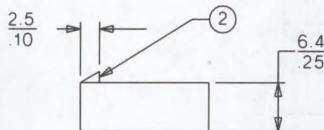
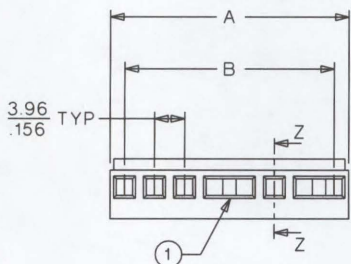
molex® 3.96mm (.156") Pitch KK® Wire-to-Board Crimp Terminal Housing

3069



D
3.00 to 7.92mm (.118 to .312") Pitch

CATALOG DRAWING (FOR REFERENCE ONLY)



SECTION Z-Z
(SHOWING TERMINAL IN PLACE)

RECOMMENDED PCB LAYOUT

	Order No.
Polarizing Key	• 15-04-0219
Polarizing Peg	• 15-04-0220

ORDERING INFORMATION AND DIMENSIONS

Circuits	Order No.		Dimension	
	Without Locking Ramp	With Locking Ramp	A	B
2	09-92-0200	09-91-0200	7.92 (.310)	3.96 (.156)
3	09-92-0300	09-91-0300	11.79 (.460)	7.92 (.312)
4	09-92-0400	09-91-0400	15.75 (.620)	11.89 (.468)
5	09-92-0500	09-91-0500	19.71 (.780)	15.85 (.624)
6	09-92-0600	09-91-0600	23.67 (.930)	19.81 (.780)
7	09-92-0700	09-91-0700	27.64 (1.090)	23.77 (.936)
8	09-92-0800	09-91-0800	31.60 (1.240)	27.74 (1.092)
9	09-92-0900	09-91-0900	35.56 (1.400)	31.70 (1.248)
10	09-92-1000	09-91-1000	39.52 (1.560)	35.66 (1.404)
11	09-92-1100	09-91-1100	43.48 (1.710)	39.62 (1.560)
12	09-92-1200	09-91-1200	47.45 (1.870)	43.59 (1.716)
13	09-92-1300	09-91-1300	51.41 (2.020)	47.55 (1.872)

Circuits	Order No.		Dimension	
	Without Locking Ramp	With Locking Ramp	A	B
14	09-92-1400	09-91-1400	55.37 (2.180)	51.51 (2.028)
15	09-92-1500	09-91-1500	59.33 (2.340)	55.47 (2.184)
16	09-92-1600	09-91-1600	63.30 (2.492)	59.44 (2.340)
17	09-92-1700	09-91-1700	67.26 (2.648)	63.40 (2.496)
18	09-92-1800	09-91-1800	71.22 (2.804)	67.36 (2.652)
19	09-92-1900	09-91-1900	75.18 (2.960)	71.32 (2.808)
20	09-92-2000	09-91-2000	79.15 (3.116)	75.29 (2.964)
21	09-92-2100	09-91-2100	83.11 (3.272)	79.25 (3.120)
22	09-92-2200	09-91-2200	87.07 (3.428)	83.21 (3.276)
23	09-92-2300	09-91-2300	91.03 (3.584)	87.17 (3.432)
24	09-92-2400	09-91-2400	95.00 (3.740)	91.14 (3.588)

FEATURES AND SPECIFICATIONS

Features and Benefits

- Sizes 2 to 16 circuits
- Feed-to and feed-through versions
- Molded-in strain reliefs
- Optional covers, polarizing keys and pegs
- 3-point contact Trifurcon contacts preloaded in housing
- Terminals available with Gold plating (contact Molex for details)

Reference Information

Product Specification: PS-7660

Packaging: Bag

Tooling Information: See IDT tooling section

UL File No.: E29179

CSA File No.: LR19980

TUV File No.: R75108

Mates With: 41661, 41662, 41671, 41672, 41681, 41682, 41741, 41761, 41771, 41772, 41791 and 41792 headers

Use Molex Cable: 7382, 7517, 8868 and 40174

Designed In: Inches

Electrical

Voltage: 250V

Current: 5.0A (22, 20 and 18 AWG)

Contact Resistance: 20mΩ max.

Dielectric Withstanding Voltage: 2000V AC

Insulation Resistance: 200 MΩ min.

Mechanical

Contact Retention to Housing: 8 lb min.

Wire Pull-Out Force:

AWG	18	20	22	24
Horizontal (lb)	20.0	17.0	12.7	8.0
Vertical (lb)	5.0	3.8	3.5	2.4

Mating Force: 2.5 lb max.

Unmating Force: 1.2 lb max.

Physical

Housing: Nylon, UL 94V-2

Contact: Brass

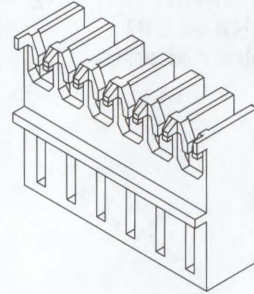
Plating: Tin

Operating Temperature: 0 to +75°C

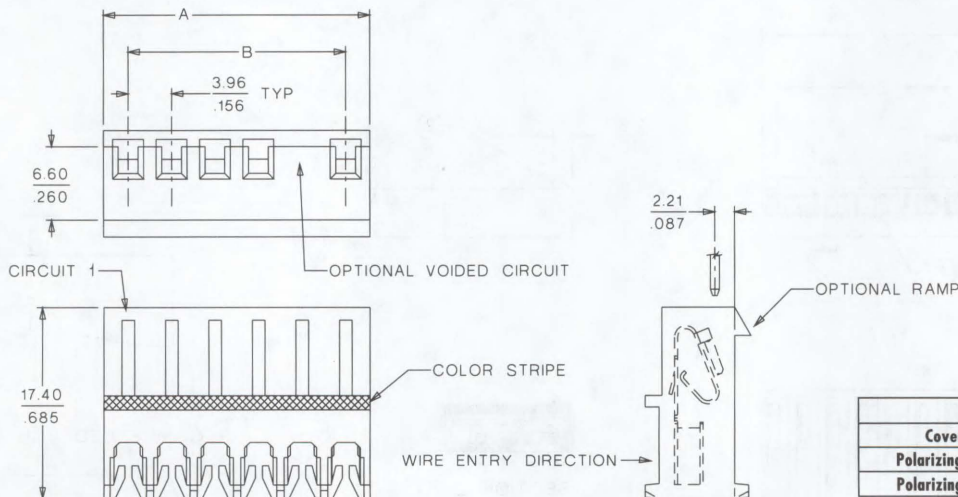
Wire Range: 1.14mm (.045") to 2.41mm (.095") OD solid or stranded

molex® 3.96mm (.156") Pitch KK® Connector

7674 IDT Trifurcon™ Contact



CATALOG DRAWING (FOR REFERENCE ONLY)



	Order No.
Cover	15-05-7XX4
Polarizing Key	15-04-0288
Polarizing Peg	15-04-0291

ORDERING INFORMATION AND DIMENSIONS

Order No.		Style	Color	Types of Wire Terminated
With Locking Ramp	Without Locking Ramp			
09-06-0XX0	09-07-0XX0	Feed-to	Yellow	18 AWG solid or fused stranded
09-06-0XX9	09-07-0XX9	Feed-through	Red	20 AWG solid or fused stranded, and 18 AWG stranded wire
09-06-1XX0	09-07-1XX0	Feed-to		
09-06-1XX9	09-07-1XX9	Feed-through	Blue	20 AWG stranded wire
09-06-2XX0	09-07-2XX0	Feed-to		
09-06-2XX9	09-07-2XX9	Feed-through		
09-06-3XX0	09-07-3XX0	Feed-to	Green	26 and 27 AWG stranded, fused stranded, and 24 AWG stranded wire
09-06-3XX9	09-07-3XX9	Feed-through		
09-06-5XX0	09-07-5XX0	Feed-to	Black	24 and 22 AWG solid or fused stranded, and 22 AWG stranded wire
09-06-5XX9	09-07-5XX9	Feed-through		

Replace XX with no. of circuits required, 02-16

Circuits	Dimension	
	A	B
2	8.38 (.330)	3.96 (.156)
3	12.34 (.486)	7.92 (.312)
4	16.31 (.642)	11.89 (.468)
5	20.27 (.798)	15.85 (.624)

Circuits	Dimension	
	A	B
6	24.23 (.954)	19.81 (.780)
7	28.19 (1.110)	23.77 (.936)
8	32.16 (1.266)	27.74 (1.092)
9	36.12 (1.422)	31.70 (1.248)

Circuits	Dimension	
	A	B
10	40.08 (1.578)	35.66 (1.404)
11	44.04 (1.734)	39.62 (1.560)
12	48.00 (1.890)	43.59 (1.716)
13	51.97 (2.046)	47.55 (1.872)

Circuits	Dimension	
	A	B
14	55.93 (2.202)	51.51 (2.028)
15	59.89 (2.358)	55.47 (2.184)
16	63.86 (2.514)	59.44 (2.340)

* Contact Molex for ordering information

Note: Some wires require deviation from chart

FEATURES AND SPECIFICATIONS

Features and Benefits

- Sizes 2 to 24 circuits
- Feed-to and feed-through versions
- Molded-in strain reliefs
- Optional covers, polarizing keys and pegs
- Double cantilever contacts preloaded in housing
- Terminals available with Gold plating (contact Molex for details)

Reference Information

Product Specification: PS-7660

Packaging: Bag

Tooling Information: See IDT tooling section

UL File No.: E29179

CSA File No.: LR19980

TUV File No.: R75108

Mates With: 41661, 41662, 41671, 41672, 41681, 41682, 41741, 41761, 41771, 41772, 41791 and 41792 headers

Use Molex Cable: 7382, 7517, 8868 and 40174

Designed In: Inches

Electrical

Voltage: 250V

Current: 5.0A (22, 20 and 18 AWG)

Contact Resistance: 20mΩ max.

Dielectric Withstanding Voltage: 2000V AC

Insulation Resistance: 200K MΩ min.

Mechanical

Contact Retention to Housing: 8 lb min.

Wire Pull-Out Force:

AWG	18	20	22	24
Horizontal (lb)	20.0	17.0	12.7	8.0
Vertical (lb)	5.0	3.8	3.5	2.4

Mating Force: 2 lb max.

Unmating Force: 0.5 lb min.

Physical

Housing: Nylon, UL 94V-2

Contact: Brass

Plating: Tin

Operating Temperature: 0 to +75°C

Wire Range: 1.14mm (.045") to 2.41mm (.095") OD solid or stranded



3.96mm (.156") Pitch

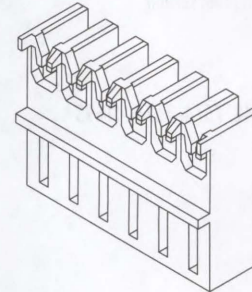
KK[®]

Connector

7675

IDT

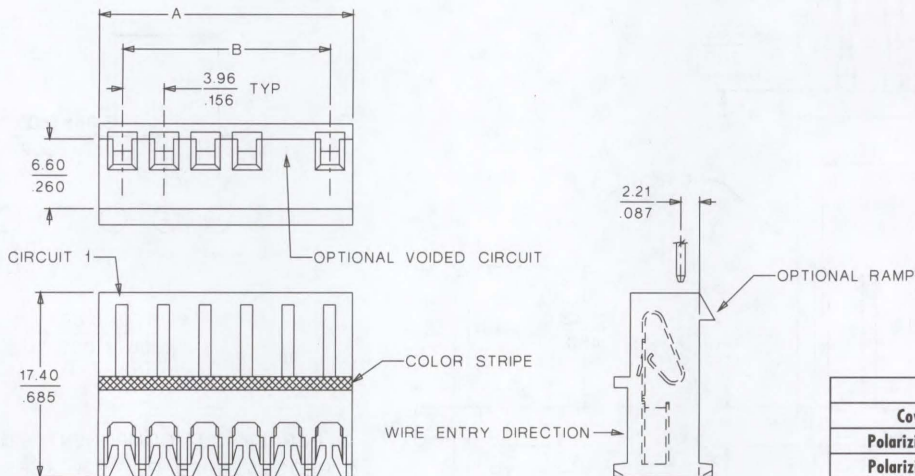
Double Cantilever Contact



D

3.00 to 7.92mm (.118 to .312") Pitch

CATALOG DRAWING (FOR REFERENCE ONLY)



	Order No.
Cover	15-05-7XX4
Polarizing Key	15-04-0288
Polarizing Peg	15-04-0291

ORDERING INFORMATION AND DIMENSIONS

Order No.		Style	Color	Types of Wire Terminated
With Locking Ramp	Without Locking Ramp			
09-06-0XX8	09-07-0XX8	Feed-to	Yellow	18 AWG solid or fused stranded
09-06-0XX7	09-07-0XX7	Feed-through		
09-06-1XX8	09-07-1XX8	Feed-to	Red	20 AWG solid or fused stranded, and 18 AWG stranded wire
09-06-1XX7	09-07-1XX7	Feed-through		
09-06-2XX8	09-07-2XX8	Feed-to	Blue	20 AWG stranded
09-06-2XX7	09-07-2XX7	Feed-through		
09-06-3XX8	09-07-3XX8	Feed-to	Green	26 and 27 AWG stranded, fused stranded, and 24 AWG stranded wire
09-06-3XX7	09-07-3XX7	Feed-through		
09-06-5XX8	09-07-5XX8	Feed-to	Black	24 and 22 AWG solid or fused stranded, and 22 AWG stranded wire
09-06-5XX7	09-07-5XX7	Feed-through		

Replace XX with no. of circuits, 02-24

Circuits	Dimension	
	A	B
2	8.38 (.330)	3.96 (.156)
3	12.34 (.486)	7.92 (.312)
4	16.31 (.642)	11.89 (.468)
5	20.27 (.798)	15.85 (.624)
6	24.23 (.954)	19.81 (.780)
7	28.19 (1.110)	23.77 (.936)

Circuits	Dimension	
	A	B
8	32.16 (1.266)	27.74 (1.092)
9	36.12 (1.422)	31.70 (1.248)
10	40.08 (1.578)	35.66 (1.404)
11	44.04 (1.734)	39.62 (1.560)
12	48.00 (1.890)	43.59 (1.716)
13	51.97 (2.046)	47.55 (1.872)

Circuits	Dimension	
	A	B
14	55.93 (2.202)	51.51 (2.028)
15	59.89 (2.358)	55.47 (2.184)
16	63.86 (2.514)	59.44 (2.340)
17	67.82 (2.670)	63.40 (2.496)
18	71.78 (2.826)	67.36 (2.652)
19	75.74 (2.982)	71.32 (2.808)

Circuits	Dimension	
	A	B
20	79.70 (3.138)	75.28 (2.964)
21	83.67 (3.294)	79.25 (3.120)
22	87.63 (3.450)	83.21 (3.276)
23	91.59 (3.606)	87.17 (3.432)
24	95.55 (3.762)	91.14 (3.588)

* Contact Molex for ordering information

Note: Some wires require deviation from chart

FEATURES AND SPECIFICATIONS

Features and Benefits

- Sizes 2 to 24 circuits available
- Optional voided circuits available
- Various pin lengths available (contact Molex)
- May be purchased in full 24 circuit sticks and broken into required circuit sizes
- 41661 has square pins and 41701 has round pins

Reference Information

Product Specification: PS-41186/08-50

Packaging: Bag

Tooling Information: See cutting tool section

UL File No.: E29179

CSA File No.: LR19980

TUV File No.: R75108

Mates With: 2139, 2145, 6442, 7674, 7675, 41695 and 41815

Designed In: Inches

Electrical

Voltage: 250V AC max.

Current: 7.0A max.*

Contact Resistance: 6mΩ max.

Dielectric Withstanding Voltage: 1500V

Insulation Resistance: 50K MΩ min.

Mechanical

Durability:

Tin—25 cycles max.

Gold—100 cycles max.

Physical

Housing: Black glass-filled polyester, UL 94V-0

Contact: Brass, 1.14mm (.045") pins

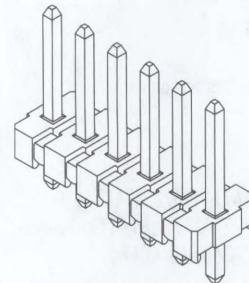
Plating: See Table

Operating Temperature: 0 to +75°C

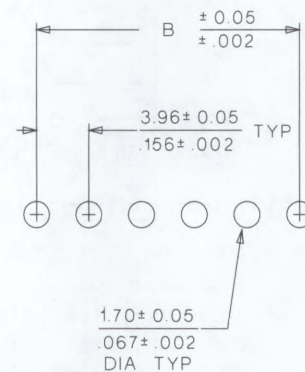
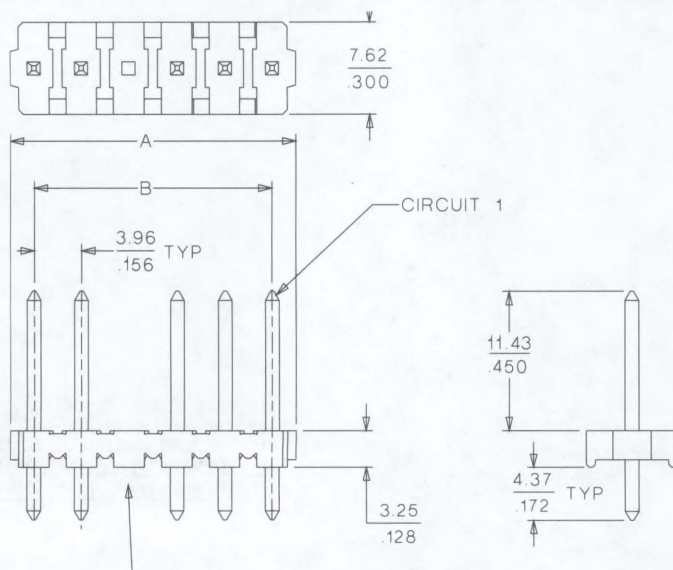
molex® 3.96mm (.156") Pitch KK® Breakaway Header

41661/41701

Vertical



CATALOG DRAWING (FOR REFERENCE ONLY)



PCB LAYOUT: COMPONENT SIDE
RECOMMENDED PCB THICKNESS 1.57 ± 0.18
.062 ± .007

Note: 41661 shown

ORDERING INFORMATION AND DIMENSIONS

Circuits	Order No.					Dimension	
	Square Pin			Round Pin		A	B
	Tin	15μ" Select Gold	30μ" Select Gold	Tin	Overall Gold		
2	26-48-1021	41661-0001	41661-0024	26-51-0021	26-51-2020	6.78 (2.67)	3.96 (1.56)
3	26-48-1031	41661-0002	41661-0025	26-51-0031	26-51-2030	10.74 (4.23)	7.92 (3.12)
4	26-48-1041	41661-0003	41661-0026	26-51-0041	26-51-2040	14.71 (5.79)	11.89 (4.68)
5	26-48-1051	41661-0004	41661-0027	26-51-0051	26-51-2050	18.67 (7.35)	15.85 (6.24)
6	26-48-1061	41661-0005	41661-0028	26-51-0061	26-51-2060	22.63 (8.91)	19.81 (7.80)
7	26-48-1071	41661-0006	41661-0029	26-51-0071	26-51-2070	26.59 (1.047)	23.77 (9.36)
8	26-48-1081	41661-0007	41661-0030	26-51-0081	26-51-2080	30.56 (1.203)	27.74 (1.092)
9	26-48-1091	41661-0008	41661-0031	26-51-0091	26-51-2090	34.52 (1.359)	31.71 (1.248)
10	26-48-1101	41661-0009	41661-0032	26-51-0101	26-51-2100	38.48 (1.515)	35.66 (1.404)
11	26-48-1111	41661-0010	41661-0033	26-51-0111	26-51-2110	42.44 (1.671)	39.62 (1.560)
12	26-48-1121	41661-0011	41661-0034	26-51-0121	26-51-2120	46.41 (1.827)	43.59 (1.716)
13	26-48-1131	41661-0012	41661-0035	26-51-0131	26-51-2130	50.37 (1.983)	47.55 (1.872)

* Dependent upon connector and PC board

Circuit number designation is for ordering purposes only, check corresponding circuit designation on mating connector

Circuits	Order No.					Dimension	
	Square Pin			Round Pin		A	B
	Tin	15μ" Select Gold	30μ" Select Gold	Tin	Overall Gold		
14	26-48-1141	41661-0013	41661-0036	26-51-0141	26-51-2140	54.33 (2.139)	51.51 (2.028)
15	26-48-1151	41661-0014	41661-0037	26-51-0151	26-51-2150	58.29 (2.295)	55.47 (2.184)
16	26-48-1161	41661-0015	41661-0038	26-51-0161	26-51-2160	62.26 (2.451)	59.44 (2.340)
17	26-48-1171	41661-0016	41661-0039	26-51-0171	26-51-2170	66.22 (2.607)	63.40 (2.496)
18	26-48-1181	41661-0017	41661-0040	26-51-0181	26-51-2180	70.18 (2.763)	67.36 (2.652)
19	26-48-1191	41661-0018	41661-0041	26-51-0191	26-51-2190	74.14 (2.919)	71.32 (2.808)
20	26-48-1201	41661-0019	41661-0042	26-51-0201	26-51-2200	78.11 (3.075)	75.29 (2.964)
21	26-48-1211	41661-0020	41661-0043	26-51-0211	26-51-2210	82.07 (3.231)	79.25 (3.120)
22	26-48-1221	41661-0021	41661-0044	26-51-0221	26-51-2220	86.03 (3.387)	83.21 (3.276)
23	26-48-1231	41661-0022	41661-0045	26-51-0231	26-51-2230	89.94 (3.541)	87.17 (3.432)
24	26-48-1241	41661-0023	41661-0046	26-51-0241	26-51-2240	93.85 (3.695)	91.14 (3.588)

FEATURES AND SPECIFICATIONS

Features and Benefits

- Sizes 2 to 24 circuits available
- Optional voided circuits available
- Various pin lengths available (contact Molex)
- May be purchased in full 24 circuit sticks and broken into required circuit sizes

Reference Information

Product Specification: PS-41186/08-50
 Packaging: Bag
 Tooling Information: See cutting tool section
 UL File No.: E29179
 CSA File No.: LR19980
 TUV File No.: R75108
 Mates With: 2139, 2145, 6442, 7674, 7675, 41695
 and 41815
 Designed In: Inches

Electrical

Voltage: 250V AC max.
 Current: 7.0A max.*
 Contact Resistance: 6mΩ max.
 Dielectric Withstanding Voltage: 1500V
 Insulation Resistance: 50K MΩ min.

Mechanical

Durability:
 Tin—25 cycles max.
 Gold—100 cycles max.

Physical

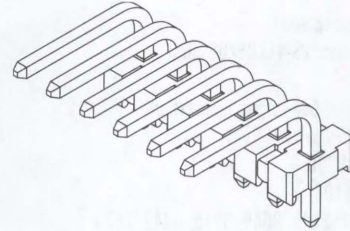
Housing: Black glass-filled polyester, UL 94V-0
 Contact: Brass, 1.14mm (.045") pins
 Plating: See Table
 Operating Temperature: 0 to +75°C

molex® **3.96mm (.156") Pitch**
KK®

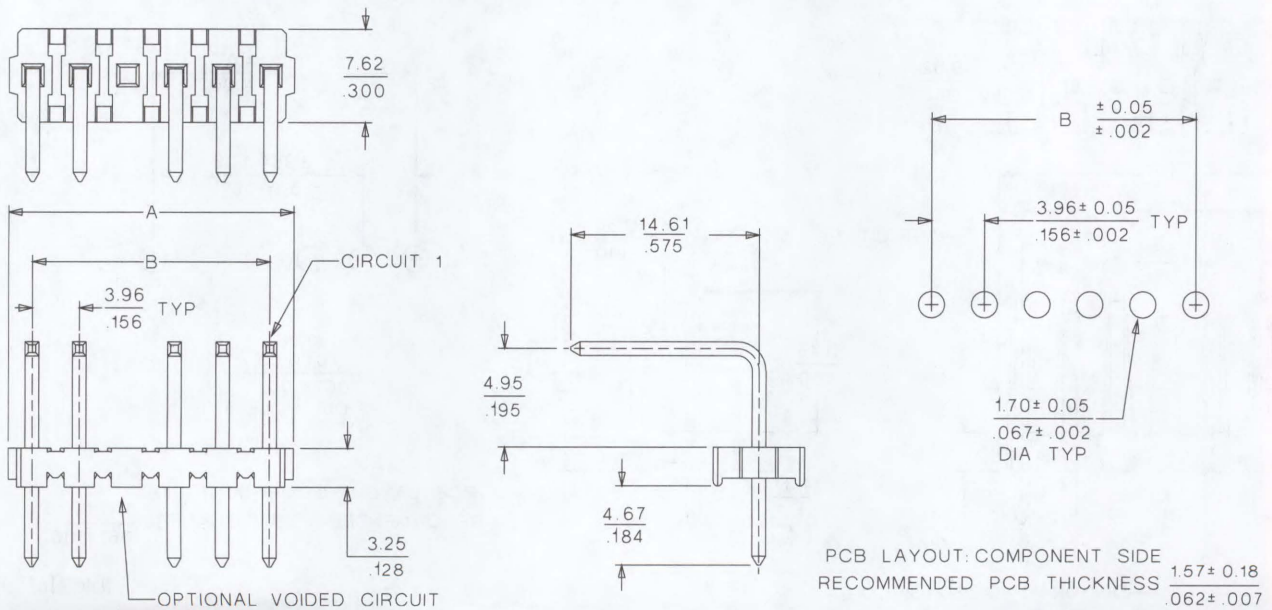
Breakaway Header

41662

Right Angle



CATALOG DRAWING (FOR REFERENCE ONLY)



3.00 to 7.92mm (.118 to .312") Pitch

ORDERING INFORMATION AND DIMENSIONS

Circuits	Order No.				Dimension	
	Square Pin				A	B
	Tin	15μ" Select Gold	30μ" Select Gold	Overall Gold		
2	26-48-1022	41662-0001	41662-0024	26-48-2022	6.78 (.267)	3.96 (.156)
3	26-48-1032	41662-0002	41662-0025	26-48-2032	10.74 (.423)	7.92 (.312)
4	26-48-1042	41662-0003	41662-0026	26-48-2042	14.71 (.579)	11.89 (.468)
5	26-48-1052	41662-0004	41662-0027	26-48-2052	18.67 (.735)	15.85 (.624)
6	26-48-1062	41662-0005	41662-0028	26-48-2062	22.63 (.891)	19.81 (.780)
7	26-48-1072	41662-0006	41662-0029	26-48-2072	26.59 (1.047)	23.77 (.936)
8	26-48-1082	41662-0007	41662-0030	26-48-2082	30.56 (1.203)	27.74 (1.092)
9	26-48-1092	41662-0008	41662-0031	26-48-2092	34.52 (1.359)	31.71 (1.248)
10	26-48-1102	41662-0009	41662-0032	26-48-2102	38.48 (1.515)	35.66 (1.404)
11	26-48-1112	41662-0010	41662-0033	26-48-2112	42.44 (1.671)	39.62 (1.560)
12	26-48-1122	41662-0011	41662-0034	26-48-2122	46.41 (1.827)	43.59 (1.716)
13	26-48-1132	41662-0012	41662-0035	26-48-2132	50.37 (1.983)	47.55 (1.872)

Circuits	Order No.				Dimension	
	Square Pin				A	B
	Tin	15μ" Select Gold	30μ" Select Gold	Overall Gold		
14	26-48-1142	41662-0013	41662-0036	26-48-2142	54.33 (2.139)	51.51 (2.028)
15	26-48-1152	41662-0014	41662-0037	26-48-2152	58.29 (2.295)	55.47 (2.184)
16	26-48-1162	41662-0015	41662-0038	26-48-2162	62.26 (2.451)	59.44 (2.340)
17	26-48-1172	41662-0016	41662-0039	26-48-2172	66.22 (2.607)	63.40 (2.496)
18	26-48-1182	41662-0017	41662-0040	26-48-2182	70.18 (2.763)	67.36 (2.652)
19	26-48-1192	41662-0018	41662-0041	26-48-2192	74.14 (2.919)	71.32 (2.808)
20	26-48-1202	41662-0019	41662-0042	26-48-2202	78.11 (3.075)	75.29 (2.964)
21	26-48-1212	41662-0020	41662-0043	26-48-2212	82.07 (3.231)	79.25 (3.120)
22	26-48-1222	41662-0021	41662-0044	26-48-2222	86.03 (3.387)	83.21 (3.276)
23	26-48-1232	41662-0022	41662-0045	26-48-2232	89.99 (3.541)	87.17 (3.432)
24	26-48-1242	41662-0023	41662-0046	26-48-2242	93.95 (3.695)	91.14 (3.588)

* Dependent upon connector and PC board

Note: Circuit number designation is for ordering purposes only, check corresponding circuit designation on mating connector

FEATURES AND SPECIFICATIONS

Features and Benefits

- Sizes 2 to 24 circuits available
- Optional voided circuits available
- Various pin lengths available (contact Molex)
- May be purchased in full 24 circuit sticks and broken into required circuit sizes
- Passive locking feature is used to maintain interconnection and is ideal for high vibration applications
- 41671 has square pins and 41711 has round pins

Reference Information

Product Specification: PS-41186/08-50

Packaging: Bag

Tooling Information: See cutting tool section

UL File No.: E29179

CSA File No.: LR19980

TUV File No.: R75108

Mates With: 2139, 2145, 3069, 3215, 6442, 7674,

7675, 41695 and 41815

Designed In: Inches

Electrical

Voltage: 250V AC max.

Current: 7.0A max.*

Contact Resistance: 6mΩ max.

Dielectric Withstanding Voltage: 1500V

Insulation Resistance: 50K MΩ min.

Mechanical

Durability:

Tin—25 cycles max.

Gold—100 cycles max.

Physical

Housing: Black glass-filled polyester, UL 94V-0

Contact: Brass, 1.14mm (.045") pins

Plating: See Table

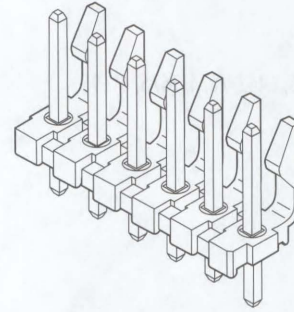
Operating Temperature: 0 to +75°C

molex® 3.96mm (.156") Pitch
KK®

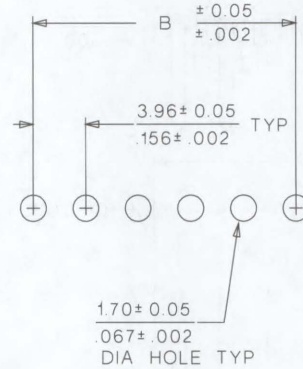
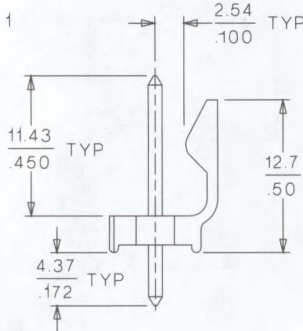
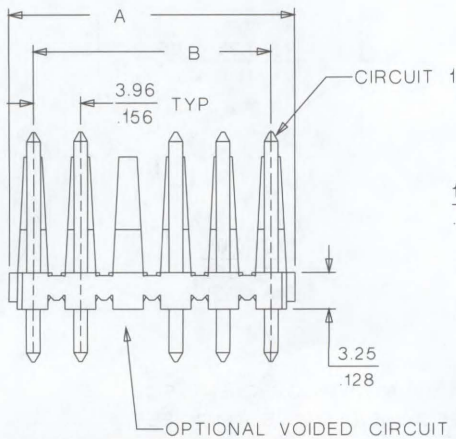
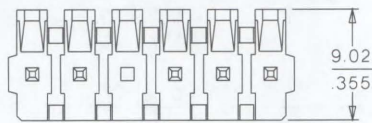
Breakaway Header

41671/41711

**Vertical
Friction Lock**



CATALOG DRAWING (FOR REFERENCE ONLY)



PCB LAYOUT: COMPONENT SIDE
RECOMMENDED PCB THICKNESS 1.57 ± 0.18
0.62 ± .007

Note: 41671 shown

ORDERING INFORMATION AND DIMENSIONS

Circuits	Order No.					Dimension	
	Square Pin			Round Pin		A	B
	Tin	15μ" Select Gold	30μ" Select Gold	Tin	Overall Gold		
2	26-48-1025	41671-0001	41671-0024	26-51-0022	26-51-2022	6.78 (2.67)	3.96 (.156)
3	26-48-1035	41671-0002	41671-0025	26-51-0032	26-51-2032	10.74 (4.23)	7.92 (.312)
4	26-48-1045	41671-0003	41671-0026	26-51-0042	26-51-2042	14.71 (5.79)	11.89 (4.68)
5	26-48-1055	41671-0004	41671-0027	26-51-0052	26-51-2052	18.67 (7.35)	15.85 (6.24)
6	26-48-1065	41671-0005	41671-0028	26-51-0062	26-51-2062	22.63 (8.91)	19.81 (7.80)
7	26-48-1075	41671-0006	41671-0029	26-51-0072	26-51-2072	26.59 (1.047)	23.77 (.936)
8	26-48-1085	41671-0007	41671-0030	26-51-0082	26-51-2082	30.56 (1.203)	27.74 (1.092)
9	26-48-1095	41671-0008	41671-0031	26-51-0092	26-51-2092	34.52 (1.359)	31.71 (1.248)
10	26-48-1105	41671-0009	41671-0032	26-51-0102	26-51-2102	38.48 (1.515)	35.66 (1.404)
11	26-48-1115	41671-0010	41671-0033	26-51-0112	26-51-2112	42.44 (1.671)	39.62 (1.560)
12	26-48-1125	41671-0011	41671-0034	26-51-0122	26-51-2122	46.41 (1.827)	43.59 (1.716)
13	26-48-1135	41671-0012	41671-0035	26-51-0132	26-51-2132	50.37 (1.983)	47.55 (1.872)

Circuits	Order No.					Dimension	
	Square Pin			Round Pin		A	B
	Tin	15μ" Select Gold	30μ" Select Gold	Tin	Overall Gold		
14	26-48-1145	41671-0013	41671-0036	26-51-0142	26-51-2142	54.33 (2.139)	51.51 (2.028)
15	26-48-1155	41671-0014	41671-0037	26-51-0152	26-51-2152	58.29 (2.295)	55.47 (2.184)
16	26-48-1165	41671-0015	41671-0038	26-51-0162	26-51-2162	62.26 (2.451)	59.44 (2.340)
17	26-48-1175	41671-0016	41671-0039	26-51-0172	26-51-2172	66.22 (2.607)	63.40 (2.496)
18	26-48-1185	41671-0017	41671-0040	26-51-0182	26-51-2182	70.18 (2.763)	67.36 (2.652)
19	26-48-1195	41671-0018	41671-0041	26-51-0192	26-51-2192	74.14 (2.919)	71.32 (2.808)
20	26-48-1205	41671-0019	41671-0042	26-51-0202	26-51-2202	78.11 (3.075)	75.29 (2.964)
21	26-48-1215	41671-0020	41671-0043	26-51-0212	26-51-2212	82.07 (3.231)	79.25 (3.120)
22	26-48-1225	41671-0021	41671-0044	26-51-0222	26-51-2222	86.03 (3.387)	83.21 (3.276)
23	26-48-1235	41671-0022	41671-0045	26-51-0232	26-51-2232	89.94 (3.541)	87.17 (3.432)
24	26-48-1245	41671-0023	41671-0046	26-51-0242	26-51-2242	93.85 (3.695)	91.14 (3.588)

* Dependent upon connector and PCB board

Circuit number designation is for ordering purposes only, check corresponding circuit designation on mating connector

FEATURES AND SPECIFICATIONS

Features and Benefits

- Sizes 2 to 24 circuits available
- Optional voided circuits available
- Various pin lengths available (contact Molex)
- PCB edge mount only
- May be purchased in full 24 circuit sticks and broken into required circuit sizes

Reference Information

Product Specification: PS-41186/08-50
 Packaging: Bag
 Tooling Information: See cutting tool section
 UL File No.: E29179
 CSA File No.: LR19980
 TUV File No.: R75108
 Mates With: 2139, 2145, 3069, 3215, 6442, 7674,
 7675, 41695 and 41815
 Designed In: Inches

Electrical

Voltage: 250V
 Current: 7.0A
 Contact Resistance: $6m\Omega$ max.
 Dielectric Withstanding Voltage: 1500V
 Insulation Resistance: 50K M Ω min.

Mechanical

Durability:
 Tin—25 cycles max.
 Gold—100 cycles max.

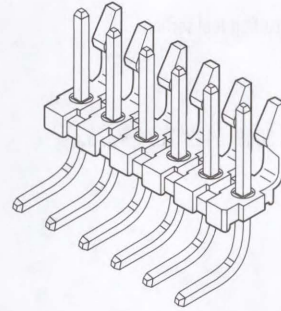
Physical

Housing: Black glass-filled polyester, UL 94V-0
 Contact: Brass, 1.14mm (.045") pins
 Plating: See Table
 Operating Temperature: 0 to +75°C

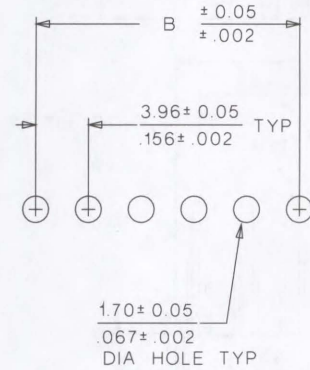
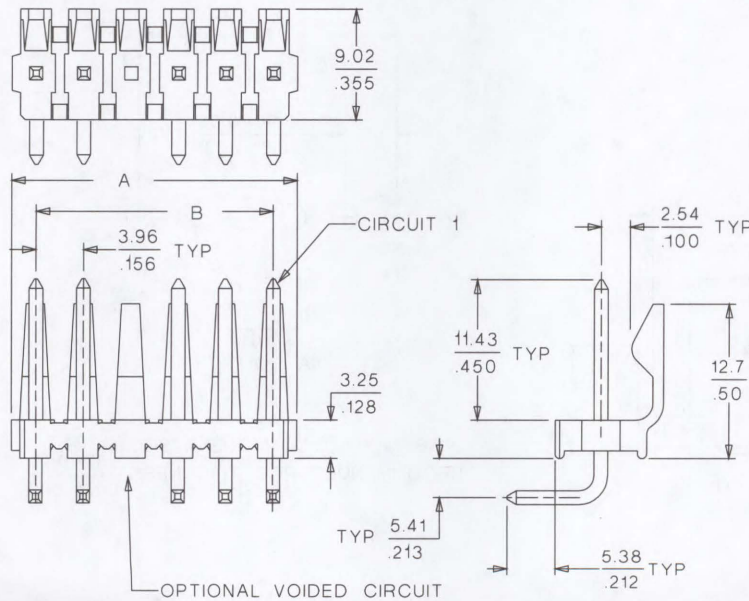
molex® 3.96mm (.156") Pitch KK® Breakaway Header

41672

Right Angle Friction Lock



CATALOG DRAWING (FOR REFERENCE ONLY)



ORDERING INFORMATION AND DIMENSIONS

Circuits	Order No.				Dimension	
	Square Pin				A	B
	Tin	15 μ " Select Gold	30 μ " Select Gold	Overall Gold		
2	26-48-1026	41672-0001	41672-0024	26-48-2026	6.78 (.267)	3.96 (.156)
3	26-48-1036	41672-0002	41672-0025	26-48-2036	10.74 (.423)	7.92 (.312)
4	26-48-1046	41672-0003	41672-0026	26-48-2046	14.71 (.579)	11.89 (.468)
5	26-48-1056	41672-0004	41672-0027	26-48-2056	18.67 (.735)	15.85 (.624)
6	26-48-1066	41672-0005	41672-0028	26-48-2066	22.63 (.891)	19.81 (.780)
7	26-48-1076	41672-0006	41672-0029	26-48-2076	26.59 (1.047)	23.77 (.936)
8	26-48-1086	41672-0007	41672-0030	26-48-2086	30.56 (1.203)	27.74 (1.092)
9	26-48-1096	41672-0008	41672-0031	26-48-2096	34.52 (1.359)	31.71 (1.248)
10	26-48-1106	41672-0009	41672-0032	26-48-2106	38.48 (1.515)	35.66 (1.404)
11	26-48-1116	41672-0010	41672-0033	26-48-2116	42.44 (1.671)	39.62 (1.560)
12	26-48-1126	41672-0011	41672-0034	26-48-2126	46.41 (1.827)	43.59 (1.716)
13	26-48-1136	41672-0012	41672-0035	26-48-2136	50.37 (1.983)	47.55 (1.872)

Circuits	Order No.				Dimension	
	Square Pin				A	B
	Tin	15 μ " Select Gold	30 μ " Select Gold	Overall Gold		
14	26-48-1146	41672-0013	41672-0036	26-48-2146	54.33 (2.139)	51.51 (2.028)
15	26-48-1156	41672-0014	41672-0037	26-48-2156	58.29 (2.295)	55.47 (2.184)
16	26-48-1166	41672-0015	41672-0038	26-48-2166	62.26 (2.451)	59.44 (2.340)
17	26-48-1176	41672-0016	41672-0039	26-48-2176	66.22 (2.607)	63.40 (2.496)
18	26-48-1186	41672-0017	41672-0040	26-48-2186	70.18 (2.763)	67.36 (2.652)
19	26-48-1196	41672-0018	41672-0041	26-48-2196	74.14 (2.919)	71.32 (2.808)
20	26-48-1206	41672-0019	41672-0042	26-48-2206	78.11 (3.075)	75.29 (2.964)
21	26-48-1216	41672-0020	41672-0043	26-48-2216	82.07 (3.231)	79.25 (3.120)
22	26-48-1226	41672-0021	41672-0044	26-48-2226	86.03 (3.387)	83.21 (3.276)
23	26-48-1236	41672-0022	41672-0045	26-48-2236	89.94 (3.541)	87.17 (3.432)
24	26-48-1246	41672-0023	41672-0046	26-48-2246	93.85 (3.695)	91.14 (3.588)

Circuit number designation is for ordering purposes only, check corresponding circuit designation on mating connector

FEATURES AND SPECIFICATIONS

Features and Benefits

- Sizes 2 to 24 circuits available
- Optional voided circuits available
- Various pin lengths available (contact Molex)
- May be purchased in full 24 circuit sticks and broken into required circuit sizes
- Polarizing backwall prevents 180° mismatching between connector and header

Reference Information

Product Specification: PS-41186

Packaging: Bag

Tooling Information: See cutting tool section

UL File No.: E29179

CSA File No.: LR19980

TUV File No.: R75108

Mates With: 2139, 2145, 3069, 6442, 7674, 7675,
41695 and 41815

Designed In: Inches

Electrical

Voltage: 250V AC max.

Current: 7.0A*

Contact Resistance: 6mΩ max.

Dielectric Withstanding Voltage: 1500V

Insulation Resistance: 50K MΩ min.

Mechanical

Durability:

Tin—25 cycles max.

Gold—100 cycles max.

Physical

Housing: Black glass-filled polyester, UL 94V-0

Contact: Brass, 1.14mm (.045") pins

Plating: See Table

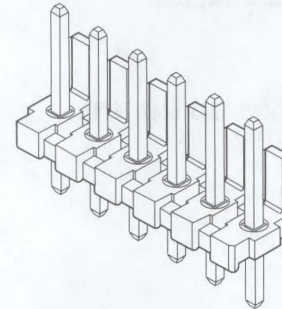
Operating Temperature: 0 to +75°C

molex® **3.96mm (.156") Pitch**
KK®

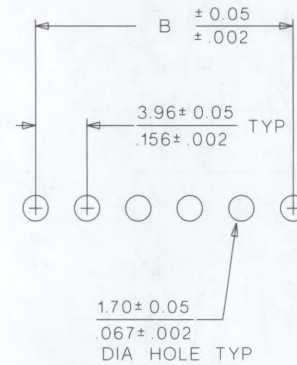
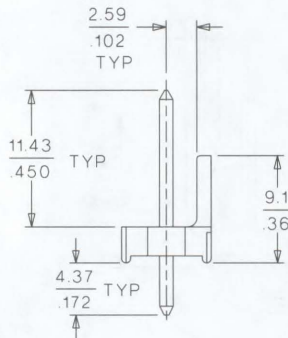
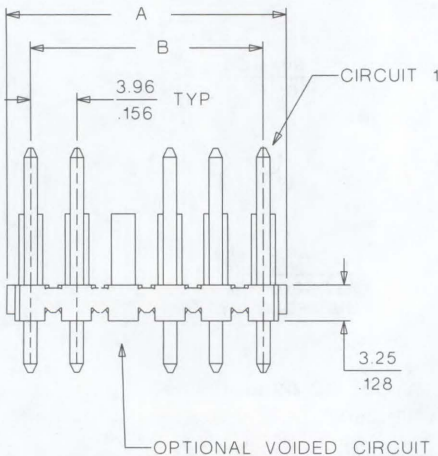
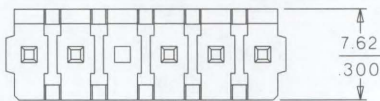
Breakaway Header

41681

**Vertical
Polarizing Wall**



CATALOG DRAWING (FOR REFERENCE ONLY)



PCB LAYOUT: COMPONENT SIDE
RECOMMENDED PCB THICKNESS 1.57 ± 0.18 / .062 ± .007

ORDERING INFORMATION AND DIMENSIONS

Circuits	Order No.			Dimension	
	Square Pin			A	B
	Tin	15μ" Select Gold	30μ" Select Gold		
2	26-48-1023	41681-0001	41681-0024	6.78 (.267)	3.96 (.156)
3	26-48-1033	41681-0002	41681-0025	10.74 (.423)	7.92 (.312)
4	26-48-1043	41681-0003	41681-0026	14.71 (.579)	11.89 (.468)
5	26-48-1053	41681-0004	41681-0027	18.67 (.735)	15.85 (.624)
6	26-48-1063	41681-0005	41681-0028	22.63 (.891)	19.81 (.780)
7	26-48-1073	41681-0006	41681-0029	26.59 (1.047)	23.77 (.936)
8	26-48-1083	41681-0007	41681-0030	30.56 (1.203)	27.74 (1.092)
9	26-48-1093	41681-0008	41681-0031	34.52 (1.359)	31.71 (1.248)
10	26-48-1103	41681-0009	41681-0032	38.48 (1.515)	35.66 (1.404)
11	26-48-1113	41681-0010	41681-0033	42.44 (1.671)	39.62 (1.560)
12	26-48-1123	41681-0011	41681-0034	46.41 (1.827)	43.59 (1.716)
13	26-48-1133	41681-0012	41681-0035	50.37 (1.983)	47.55 (1.872)

Circuits	Order No.			Dimension	
	Square Pin			A	B
	Tin	15μ" Select Gold	30μ" Select Gold		
14	26-48-1143	41681-0013	41681-0036	54.33 (2.139)	51.51 (2.028)
15	26-48-1153	41681-0014	41681-0037	58.29 (2.295)	55.47 (2.184)
16	26-48-1163	41681-0015	41681-0038	62.26 (2.451)	59.44 (2.340)
17	26-48-1173	41681-0016	41681-0039	66.22 (2.607)	63.40 (2.496)
18	26-48-1183	41681-0017	41681-0040	70.18 (2.763)	67.36 (2.652)
19	26-48-1193	41681-0018	41681-0041	74.14 (2.919)	71.32 (2.808)
20	26-48-1203	41681-0019	41681-0042	78.11 (3.075)	75.29 (2.964)
21	26-48-1213	41681-0020	41681-0043	82.07 (3.231)	79.25 (3.120)
22	26-48-1223	41681-0021	41681-0044	86.03 (3.387)	83.21 (3.276)
23	26-48-1233	41681-0022	41681-0045	89.94 (3.541)	87.17 (3.432)
24	26-48-1243	41681-0023	41681-0046	93.85 (3.695)	91.14 (3.588)

* Dependent upon connector and PC board

Circuit number designation is for ordering purposes only, check corresponding circuit designation on mating connector

FEATURES AND SPECIFICATIONS

Features and Benefits

- Sizes 2 to 24 circuits available
- Optional voided circuits available
- Various pin lengths available (contact Molex)
- PCB edge mount only
- May be purchased in full 24 circuit sticks and broken into required circuit sizes
- Polarizing backwall prevents 180° mismatching between connector and header

Reference Information

Product Specification: PS-41186

Packaging: Bag

Tooling Information: See cutting tool section

UL File No.: E29179

CSA File No.: LR19980

TUV File No.: R75108

Mates With: 2139, 2145, 3069, 6442, 7674, 7675, 41695 and 41815

Designed In: Inches

Electrical

Voltage: 250V

Current: 7.0A

Contact Resistance: 6mΩ max.

Dielectric Withstanding Voltage: 1500V

Insulation Resistance: 50K MΩ min.

Mechanical

Durability:

Tin—25 cycles max.

Gold—100 cycles max.

Physical

Housing: Black glass-filled polyester, UL 94V-0

Contact: Brass, 1.14mm (.045") square

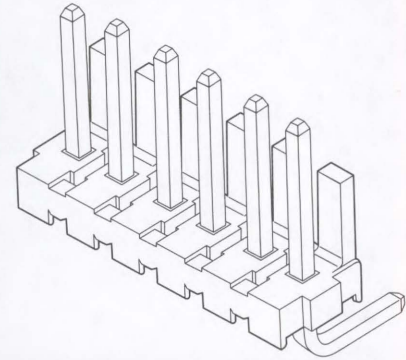
Plating: See Table

Operating Temperature: 0 to +75°C

molex® 3.96mm (.156") Pitch KK® Breakaway Header

41682

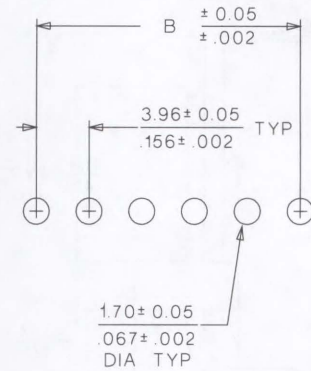
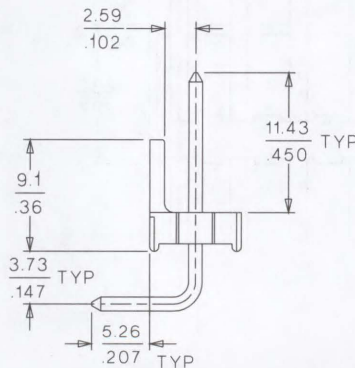
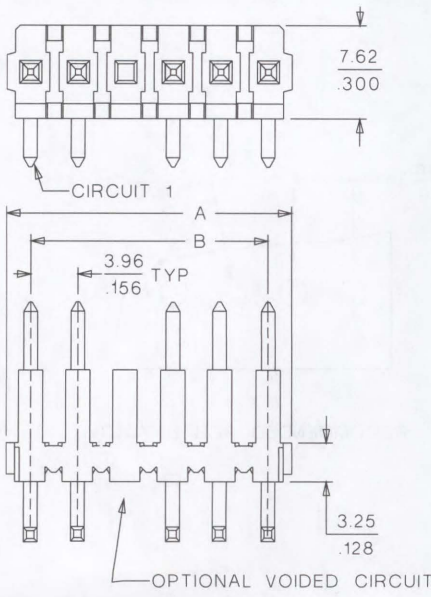
Right Angle Polarizing Wall



D

3.00 to 7.92mm (.118 to .312") Pitch

CATALOG DRAWING (FOR REFERENCE ONLY)



PCB LAYOUT: COMPONENT SIDE
RECOMMENDED PCB THICKNESS 1.57 ± 0.18 / .062 ± .007

ORDERING INFORMATION AND DIMENSIONS

Circuits	Order No.				Dimension	
	Square Pin				A	B
	Tin	15µ" Select Gold	30µ" Select Gold	Overall Gold		
2	26-48-1024	41682-0001	41682-0024	26-48-2024	6.78 (.267)	3.96 (.156)
3	26-48-1034	41682-0002	41682-0025	26-48-2034	10.74 (.423)	7.92 (.312)
4	26-48-1044	41682-0003	41682-0026	26-48-2044	14.71 (.579)	11.89 (.468)
5	26-48-1054	41682-0004	41682-0027	26-48-2054	18.67 (.735)	15.85 (.624)
6	26-48-1064	41682-0005	41682-0028	26-48-2064	22.63 (.891)	19.81 (.780)
7	26-48-1074	41682-0006	41682-0029	26-48-2074	26.59 (1.047)	23.77 (.936)
8	26-48-1084	41682-0007	41682-0030	26-48-2084	30.56 (1.203)	27.74 (1.092)
9	26-48-1094	41682-0008	41682-0031	26-48-2094	34.52 (1.359)	31.71 (1.248)
10	26-48-1104	41682-0009	41682-0032	26-48-2104	38.48 (1.515)	35.66 (1.404)
11	26-48-1114	41682-0010	41682-0033	26-48-2114	42.44 (1.671)	39.62 (1.560)
12	26-48-1124	41682-0011	41682-0034	26-48-2124	46.41 (1.827)	43.59 (1.716)
13	26-48-1134	41682-0012	41682-0035	26-48-2134	50.37 (1.983)	47.55 (1.872)

Circuit number designation is for ordering purposes only, check corresponding circuit designation on mating connector

Circuits	Order No.				Dimension	
	Square Pin				A	B
	Tin	15µ" Select Gold	30µ" Select Gold	Overall Gold		
14	26-48-1144	41682-0013	41682-0036	26-48-2144	54.33 (2.139)	51.51 (2.028)
15	26-48-1154	41682-0014	41682-0037	26-48-2154	58.29 (2.295)	55.47 (2.184)
16	26-48-1164	41682-0015	41682-0038	26-48-2164	62.26 (2.451)	59.44 (2.340)
17	26-48-1174	41682-0016	41682-0039	26-48-2174	66.22 (2.607)	63.40 (2.496)
18	26-48-1184	41682-0017	41682-0040	26-48-2184	70.18 (2.763)	67.36 (2.652)
19	26-48-1194	41682-0018	41682-0041	26-48-2194	74.14 (2.919)	71.32 (2.808)
20	26-48-1204	41682-0019	41682-0042	26-48-2204	78.11 (3.075)	75.29 (2.964)
21	26-48-1214	41682-0020	41682-0043	26-48-2214	82.07 (3.231)	79.25 (3.120)
22	26-48-1224	41682-0021	41682-0044	26-48-2224	86.03 (3.387)	83.21 (3.276)
23	26-48-1234	41682-0022	41682-0045	26-48-2234	89.94 (3.541)	87.17 (3.432)
24	26-48-1244	41682-0023	41682-0046	26-48-2244	93.85 (3.695)	91.14 (3.588)

FEATURES AND SPECIFICATIONS

Features and Benefits

- Sizes 2 to 17 circuits

Reference Information

Product Specification: PS-08-50
 Packaging: Bag
 UL File No.: E29179
 CSA File No.: LR19980
 Mates With: Molex .156" connectors
 Designed In: Inches

Electrical

Voltage: 250V
 Current: 7.0A
 Contact Resistance: 20mΩ max.
 Dielectric Withstanding Voltage: 1500V
 Insulation Resistance: 500K MΩ min.

Mechanical

Mating Force: 24 oz max.
 Unmating Force: 4 oz min.
 Normal Force: 350g
 Durability: 25 cycles

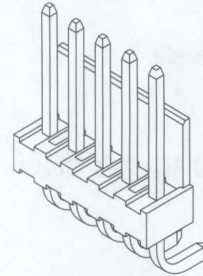
Physical

Housing: Nylon, UL 94V-2
 Contact: Brass, 1.14mm (.045") square
 Plating: 5μm Tin and 0.51μm Gold
 Operating Temperature: 0 to +75°C

molex® 3.96mm (.156") Pitch KK® Header

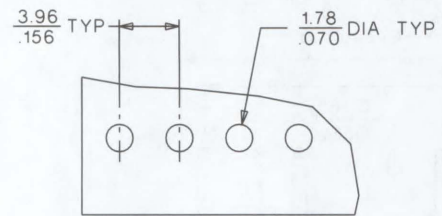
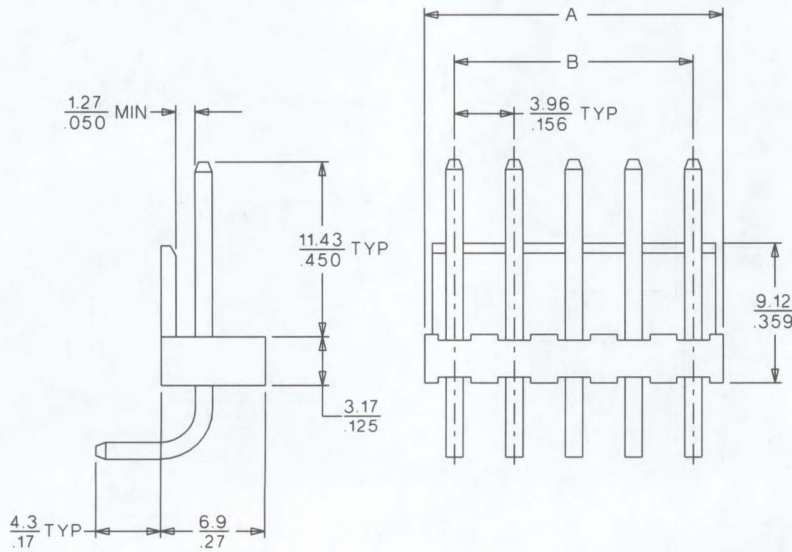
3243

Right Angle Polarizing Wall



CATALOG DRAWING (FOR REFERENCE ONLY)

Preferred Version in Europe and the Far East



ORDERING INFORMATION AND DIMENSIONS

Circuits	Order No.		Dimension	
	Tin	Gold	A	B
2	26-17-1021	26-26-1021	7.92 (.312)	3.96 (.156)
3	26-17-1031	26-26-1031	11.89 (.468)	7.92 (.312)
4	26-17-1041	26-26-1041	15.85 (.624)	11.89 (.468)
5	26-17-1051	26-26-1051	19.81 (.780)	15.85 (.624)
6	26-17-1061	26-26-1061	23.77 (.936)	19.81 (.780)
7	26-17-1071	26-26-1071	27.74 (1.092)	23.77 (.936)
8	26-17-1081	26-26-1081	31.70 (1.248)	27.74 (1.092)
9	26-17-1091	26-26-1091	35.66 (1.404)	31.70 (1.248)
10	26-17-1101	26-26-1101	39.62 (1.560)	35.66 (1.404)
11	26-17-1111	26-26-1111	43.59 (1.716)	39.62 (1.560)
12	26-17-1121	26-26-1121	47.55 (1.872)	43.59 (1.716)
13	26-17-1131	26-26-1131	51.51 (2.028)	47.55 (1.872)
14	26-17-1141	26-26-1141	55.47 (2.184)	51.51 (2.028)
15	26-17-1151	26-26-1151	59.44 (2.340)	55.47 (2.184)
16	26-17-1161	26-26-1161	63.40 (2.496)	59.44 (2.340)
17	26-17-1171	26-26-1171	67.36 (2.652)	63.40 (2.496)

FEATURES AND SPECIFICATIONS

Features and Benefits

- Sizes 2 to 18 circuits
- Optional voided circuits available
- Various pin lengths available (contact Molex)
- End-to-end stackable

Reference Information

Product Specification: PS-08-50/40-02

Packaging: Bag

UL File No.: E29179

CSA File No.: LR19980

TUV File No.: R75108

Mates With: 2139, 2145, 3069, 6442, 7674, 7675, 41695 and 41815

Designed In: Millimeters or Inches

Electrical

Voltage: 250V

Current: 7.0A

Contact Resistance: 6mΩ max.

Dielectric Withstanding Voltage: 1500V

Insulation Resistance: 50K MΩ min.

Mechanical

Durability:

Tin—25 cycles max.

Gold—100 cycles max.

Physical

Housing: White glass-filled polyester, UL 94V-0

Contact: Brass, 1.14mm (.045") square

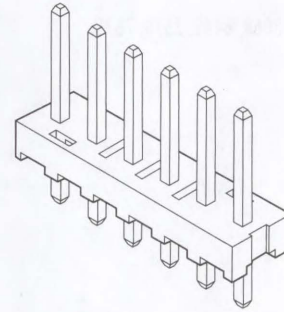
Plating: See Table

Operating Temperature: 0 to +75°C

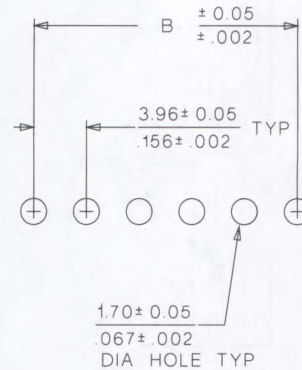
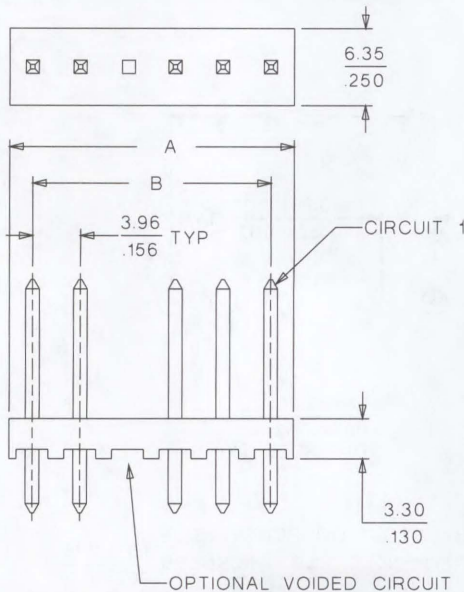
molex® 3.96mm (.156") Pitch KK® Solid Header

41771

Vertical Without Pegs



CATALOG DRAWING (FOR REFERENCE ONLY)



PCB LAYOUT: COMPONENT SIDE
RECOMMENDED PCB THICKNESS 1.57 ± 0.18
 $.062 \pm .007$

ORDERING INFORMATION AND DIMENSIONS

Circuits	Order No.				Dimension	
	Tin	15μ" Select Gold	30μ" Select Gold	Overall Gold	A	B
2	26-60-2020	41771-0899	41771-0916	26-61-2020	7.77 (.306)	3.96 (.156)
3	26-60-2030	41771-0900	41771-0917	26-61-2030	11.73 (.462)	7.92 (.312)
4	26-60-2040	41771-0901	41771-0918	26-61-2040	15.70 (.618)	11.89 (.468)
5	26-60-2050	41771-0902	41771-0919	26-61-2050	19.66 (.774)	15.85 (.624)
6	26-60-2060	41771-0903	41771-0920	26-61-2060	23.62 (.930)	19.81 (.780)
7	26-60-2070	41771-0904	41771-0921	26-61-2070	27.58 (1.086)	23.77 (.936)
8	26-60-2080	41771-0905	41771-0922	26-61-2080	31.55 (1.242)	27.74 (1.092)
9	26-60-2090	41771-0906	41771-0923	26-61-2090	35.51 (1.398)	31.70 (1.248)
10	26-60-2100	41771-0907	41771-0924	26-61-2100	39.47 (1.554)	35.66 (1.404)
11	26-60-2110	41771-0908	41771-0925	26-61-2110	43.43 (1.710)	39.62 (1.560)
12	26-60-2120	41771-0909	41771-0926	26-61-2120	47.40 (1.866)	43.59 (1.716)
13	26-60-2130	41771-0910	41771-0927	26-61-2130	51.36 (2.022)	47.55 (1.872)
14	26-60-2140	41771-0911	41771-0928	26-61-2140	55.32 (2.178)	51.51 (2.028)
15	26-60-2150	41771-0912	41771-0929	26-61-2150	59.28 (2.334)	55.47 (2.184)
16	26-60-2160	41771-0913	41771-0930	26-61-2160	63.25 (2.490)	59.44 (2.340)
17	26-60-2170	41771-0914	41771-0931	26-61-2170	67.21 (2.646)	63.40 (2.496)
18	26-60-2180	41771-0915	41771-0932	26-61-2180	71.17 (2.802)	67.36 (2.652)

Circuit number designation is for ordering purposes only, check corresponding circuit designation on mating connector

FEATURES AND SPECIFICATIONS

Features and Benefits

- Sizes 2 to 18 circuits
- Optional voided circuits available
- Various pin lengths available (contact Molex)
- End-to-end stackable

Reference Information

Product Specification: PS-08-50

Packaging: Bag

UL File No.: E29179

CSA File No.: LR19980

TUV File No.: R75108

Mates With: 2139, 2145, 3069, 6442, 7674, 7675,
41695 and 41815

Designed In: Inches

Electrical

Voltage: 250V

Current: 7.0A

Contact Resistance: 6mΩ max.

Dielectric Withstanding Voltage: 1500V

Insulation Resistance: 50K MΩ min.

Mechanical

Durability:

Tin—25 cycles max.

Gold—100 cycles max.

Physical

Housing: Polyester, UL 94V-0

Contact: Brass, 1.14mm (.045") square

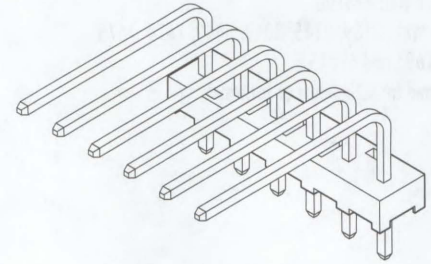
Plating: See Table

Operating Temperature: 0 to +75°C

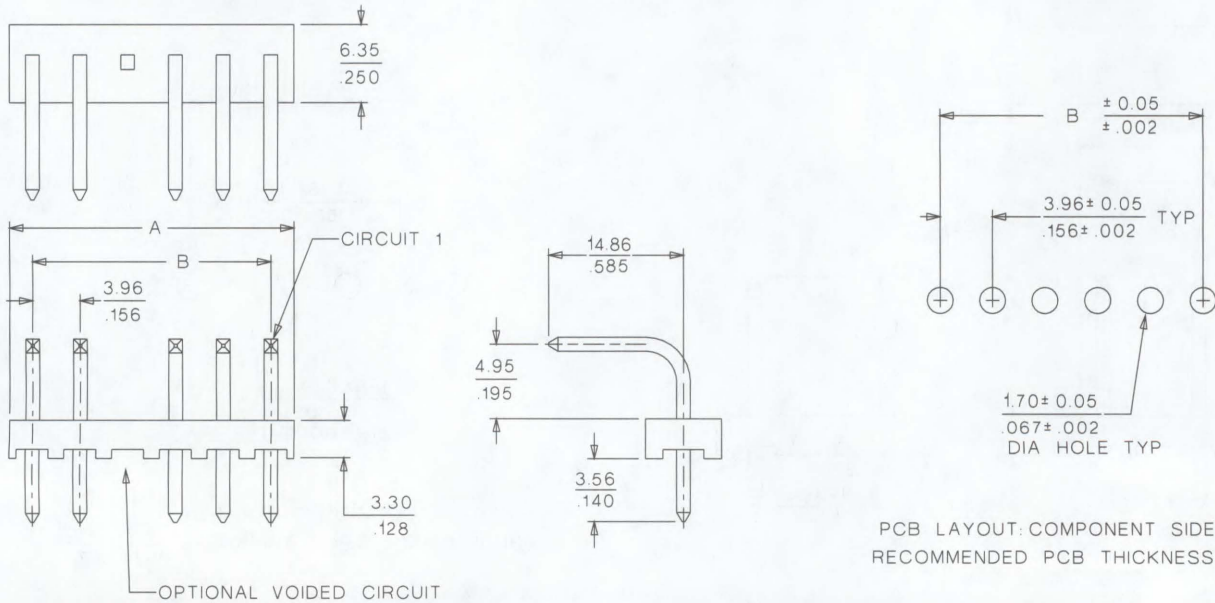
molex® 3.96mm (.156") Pitch KK® Solid Header

41772

Right Angle Without Pegs



CATALOG DRAWING (FOR REFERENCE ONLY)



ORDERING INFORMATION AND DIMENSIONS

Circuits	Order No.				Dimension	
	Tin	15μ" Select Gold	30μ" Select Gold	Overall Gold	A	B
2	26-60-3020	41772-0463	41772-0480	26-61-3020	7.77 (.306)	3.96 (.156)
3	26-60-3030	41772-0464	41772-0481	26-61-3030	11.73 (.462)	7.92 (.312)
4	26-60-3040	41772-0465	41772-0482	26-61-3040	15.70 (.618)	11.89 (.468)
5	26-60-3050	41772-0466	41772-0483	26-61-3050	19.66 (.774)	15.85 (.624)
6	26-60-3060	41772-0467	41772-0484	26-61-3060	23.62 (.930)	19.81 (.780)
7	26-60-3070	41772-0468	41772-0485	26-61-3070	27.58 (1.086)	23.77 (.936)
8	26-60-3080	41772-0469	41772-0486	26-61-3080	31.55 (1.242)	27.74 (1.092)
9	26-60-3090	41772-0470	41772-0487	26-61-3090	35.51 (1.398)	31.70 (1.248)
10	26-60-3100	41772-0471	41772-0488	26-61-3100	39.47 (1.554)	35.66 (1.404)
11	26-60-3110	41772-0472	41772-0489	26-61-3110	43.43 (1.710)	39.62 (1.560)
12	26-60-3120	41772-0473	41772-0490	26-61-3120	47.40 (1.866)	43.59 (1.716)
13	26-60-3130	41772-0474	41772-0491	26-61-3130	51.36 (2.022)	47.55 (1.872)
14	26-60-3140	41772-0475	41772-0492	26-61-3140	55.32 (2.178)	51.51 (2.028)
15	26-60-3150	41772-0476	41772-0493	26-61-3150	59.28 (2.334)	55.47 (2.184)
16	26-60-3160	41772-0477	41772-0494	26-61-3160	63.25 (2.490)	59.44 (2.340)
17	26-60-3170	41772-0478	41772-0495	26-61-3170	67.21 (2.646)	63.40 (2.496)
18	26-60-3180	41772-0479	41772-0496	26-61-3180	71.17 (2.802)	67.36 (2.652)

Circuit number designation is for ordering purposes only, check corresponding circuit designation on mating connector

FEATURES AND SPECIFICATIONS

Features and Benefits

- Sizes 2 to 20 circuits
- End-to-end stackable

Reference Information

Product Specification: PS-08-50
 Packaging: Bag
 UL File No.: E29179 SC
 CSA File No.: LR19980
 Mates With: Molex .156" pitch connectors
 Designed In: Inches

Electrical

Voltage: 250V
 Current: 7.0A
 Contact Resistance: 20mΩ max.
 Dielectric Withstanding Voltage: 1500V
 Insulation Resistance: 500K MΩ min.

Mechanical

Mating Force: 24 oz max.
 Unmating Force: 4 oz min.
 Normal Force: 350g
 Durability: 25 cycles Tin

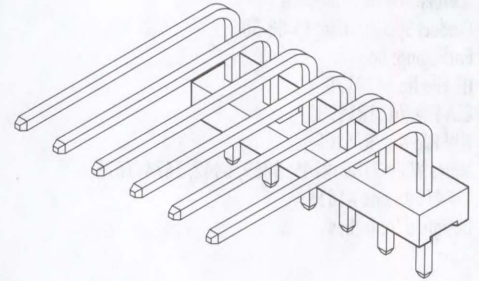
Physical

Housing: Nylon, UL 94V-2
 Contact: Brass
 Plating: 5μm Tin and 0.51μm Gold
 Operating Temperature: 0 to +75°C

molex® **3.96mm (.156") Pitch**
KK®
Header

3246

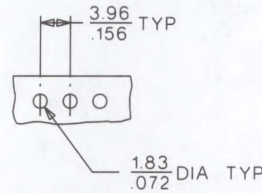
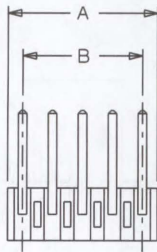
Right Angle
Square Pin



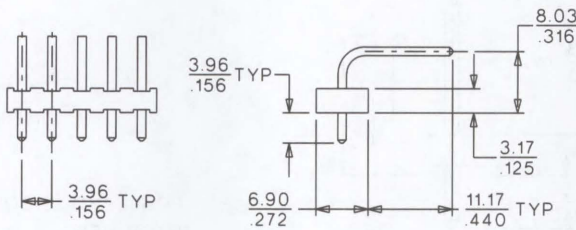
D
3.00 to 7.92mm (.118 to .312") Pitch

CATALOG DRAWING (FOR REFERENCE ONLY)

Preferred Version in Europe



RECOMMENDED PCB LAYOUT



ORDERING INFORMATION AND DIMENSIONS

Circuits	Order No.		Dimension	
	Tin	Gold	A	B
2	26-10-2021	26-28-2021	7.92 (.312)	3.96 (.156)
3	26-10-2031	26-28-2031	11.89 (.468)	7.92 (.312)
4	26-10-2041	26-28-2041	15.85 (.624)	11.89 (.468)
5	26-10-2051	26-28-2051	19.81 (.780)	15.85 (.624)
6	26-10-2061	26-28-2061	23.77 (.936)	19.81 (.780)
7	26-10-2071	26-28-2071	27.74 (1.092)	23.77 (.936)
8	26-10-2081	26-28-2081	31.70 (1.248)	27.74 (1.092)
9	26-10-2091	26-28-2091	35.66 (1.404)	31.70 (1.248)
10	26-10-2101	26-28-2101	39.62 (1.560)	35.66 (1.404)
11	26-10-2111	26-28-2111	43.59 (1.716)	39.62 (1.560)

Circuits	Order No.		Dimension	
	Tin	Gold	A	B
12	26-10-2121	26-28-2121	47.55 (1.872)	43.59 (1.716)
13	26-10-2131	26-28-2131	51.51 (2.028)	47.55 (1.872)
14	26-10-2141	26-28-2141	55.47 (2.184)	51.51 (2.028)
15	26-10-2151	26-28-2151	59.44 (2.340)	55.47 (2.184)
16	26-10-2161	26-28-2161	63.40 (2.496)	59.44 (2.340)
17	26-10-2171	26-28-2171	67.36 (2.652)	63.40 (2.496)
18	26-10-2181	26-28-2181	71.32 (2.808)	67.36 (2.652)
19	26-10-2191	26-28-2191	75.29 (2.964)	71.32 (2.808)
20	26-10-2201	26-28-2201	79.25 (3.120)	75.29 (2.964)

FEATURES AND SPECIFICATIONS

Features and Benefits

- Sizes 2 to 18 circuits
- Provides left to right polarization when mated with 41695 or 43061 .156" crimp housing with the optional polarizing ribs
- Various pin lengths available
- Voided circuits available (contact Molex)
- Passive locking feature is used to maintain interconnection, ideal for high vibration applications
- End-to-end stackable

Reference Information

Product Specification: PS-08-50
 Packaging: Bag
 UL File No.: E29179
 CSA File No.: LR19980
 TUV File No.: R75108
 Mates With: 2139, 2145, 3069, 6442, 7674, 7675,
 41695 and 41815
 Designed In: Inches

Electrical

Voltage: 250V
 Current: 7.0A
 Contact Resistance: 6mΩ max.
 Dielectric Withstanding Voltage: 1500V
 Insulation Resistance: 50K MΩ min.

Mechanical

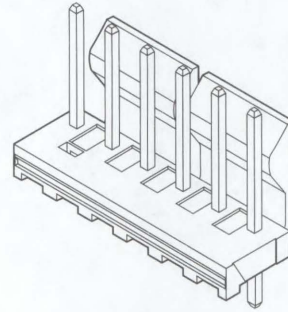
Durability:
 Tin—25 cycles max.
 Gold—100 cycles max.

Physical

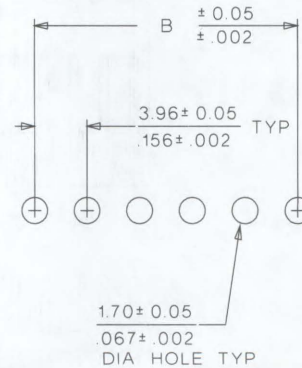
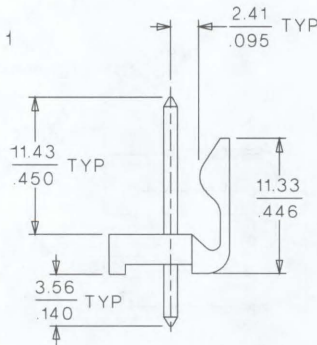
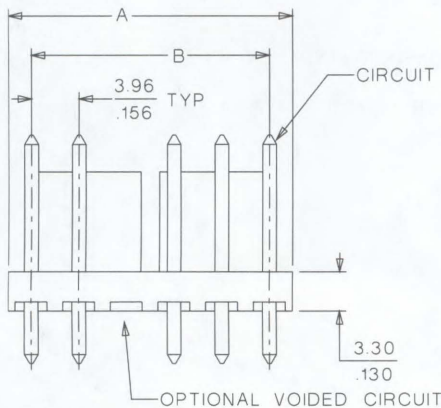
Housing: Polyester, UL 94V-0
 Contact: Brass, 1.14mm (.045") pin
 Plating: See Table
 Operating Temperature: 0 to +75°C

molex® 3.96mm (.156") Pitch KK® Solid Header

41791 Vertical Friction Lock



CATALOG DRAWING (FOR REFERENCE ONLY)



PCB LAYOUT: COMPONENT SIDE 1.57 ± 0.18
 RECOMMENDED PCB THICKNESS .062 ± .007

ORDERING INFORMATION AND DIMENSIONS

Circuits	Order No.				Dimension	
	Tin	15μ" Select Gold	30μ" Select Gold	Overall Gold	A	B
2	26-60-4020	41791-0832	41791-0849	26-61-4020	7.77 (.306)	3.96 (.156)
3	26-60-4030	41791-0833	41791-0850	26-61-4030	11.73 (.462)	7.92 (.312)
4	26-60-4040	41791-0834	41791-0851	26-61-4040	15.70 (.618)	11.89 (.468)
5	26-60-4050	41791-0835	41791-0852	26-61-4050	19.66 (.774)	15.85 (.624)
6	26-60-4060	41791-0836	41791-0853	26-61-4060	23.62 (.930)	19.81 (.780)
7	26-60-4070	41791-0837	41791-0854	26-61-4070	27.58 (1.086)	23.77 (.936)
8	26-60-4080	41791-0838	41791-0855	26-61-4080	31.55 (1.242)	27.74 (1.092)
9	26-60-4090	41791-0839	41791-0856	26-61-4090	35.51 (1.398)	31.70 (1.248)
10	26-60-4100	41791-0840	41791-0857	26-61-4100	39.47 (1.554)	35.66 (1.404)
11	26-60-4110	41791-0841	41791-0858	26-61-4110	43.43 (1.710)	39.62 (1.560)
12	26-60-4120	41791-0842	41791-0859	26-61-4120	47.40 (1.866)	43.59 (1.716)
13	26-60-4130	41791-0843	41791-0860	26-61-4130	51.36 (2.022)	47.55 (1.872)
14	26-60-4140	41791-0844	41791-0861	26-61-4140	55.32 (2.178)	51.51 (2.028)
15	26-60-4150	41791-0845	41791-0862	26-61-4150	59.28 (2.334)	55.47 (2.184)
16	26-60-4160	41791-0846	41791-0863	26-61-4160	63.25 (2.490)	59.44 (2.340)
17	26-60-4170	41791-0847	41791-0864	26-61-4170	67.21 (2.646)	63.40 (2.496)
18	26-60-4180	41791-0848	41791-0865	26-61-4180	71.17 (2.802)	67.36 (2.652)

Circuit number designation is for ordering purposes only, check corresponding circuit designation on mating connector

FEATURES AND SPECIFICATIONS

Features and Benefits

- Sizes 2 to 18 circuits
- Provides left to right polarization when mated with 41695 or 43061 .156" crimp housing with the optional polarizing ribs
- Various pin lengths available (contact Molex)
- Optional voided circuits available
- End-to-end stackable

Reference Information

Product Specification: PS-08-50

Packaging: Bag

UL File No.: E29179

CSA File No.: LR19980

TUV File No.: R75108

Mates With: 2139, 2145, 3069, 6442, 7674, 7675,

41695 and 41815

Designed In: Inches

Electrical

Voltage: 250V

Current: 7.0A

Contact Resistance: 6mΩ max.

Dielectric Withstanding Voltage: 1500V

Insulation Resistance: 50K MΩ min.

Mechanical

Durability:

Tin—25 cycles max.

Gold—100 cycles max.

Physical

Housing: Polyester, UL 94V-0

Contact: Brass, 1.14mm (.045") pins

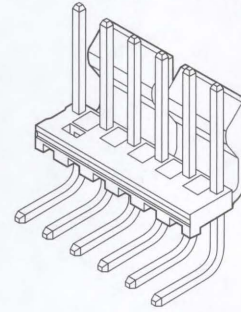
Plating: See Table

Operating Temperature: 0 to +75°C

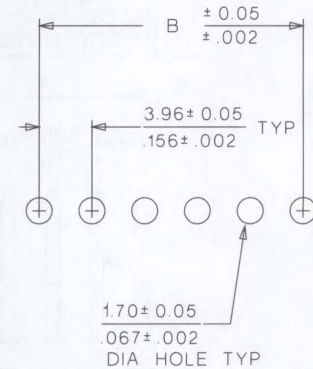
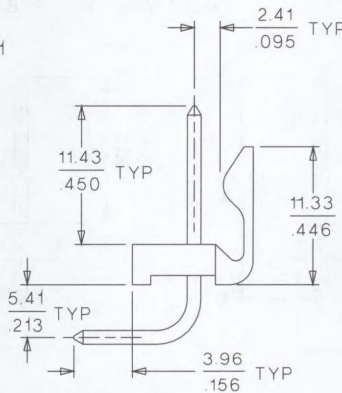
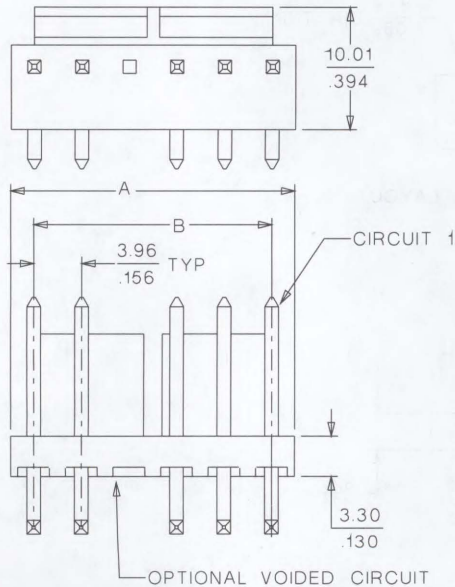
molex® **3.96mm (.156") Pitch**
KK®
Solid Header

41792

Right Angle, Friction Lock



CATALOG DRAWING (FOR REFERENCE ONLY)



PCB LAYOUT: COMPONENT SIDE
RECOMMENDED PCB THICKNESS $\frac{1.57 \pm 0.18}{0.62 \pm .007}$

ORDERING INFORMATION AND DIMENSIONS

Circuits	Order No.				Dimension	
	Tin	15μ" Select Gold	30μ" Select Gold	Overall Gold	A	B
2	26-60-5020	41792-0511	41792-0528	26-61-5020	7.77 (.306)	3.96 (.156)
3	26-60-5030	41792-0512	41792-0529	26-61-5030	11.73 (.462)	7.92 (.312)
4	26-60-5040	41792-0513	41792-0530	26-61-5040	15.70 (.618)	11.89 (.468)
5	26-60-5050	41792-0514	41792-0531	26-61-5050	19.66 (.774)	15.85 (.624)
6	26-60-5060	41792-0515	41792-0532	26-61-5060	23.62 (.930)	19.81 (.780)
7	26-60-5070	41792-0516	41792-0533	26-61-5070	27.58 (1.086)	23.77 (.936)
8	26-60-5080	41792-0517	41792-0534	26-61-5080	31.55 (1.242)	27.74 (1.092)
9	26-60-5090	41792-0518	41792-0535	26-61-5090	35.51 (1.398)	31.70 (1.248)
10	26-60-5100	41792-0519	41792-0536	26-61-5100	39.47 (1.554)	35.66 (1.404)
11	26-60-5110	41792-0520	41792-0537	26-61-5110	43.43 (1.710)	39.62 (1.560)
12	26-60-5120	41792-0521	41792-0538	26-61-5120	47.40 (1.866)	43.59 (1.716)
13	26-60-5130	41792-0522	41792-0539	26-61-5130	51.36 (2.022)	47.55 (1.872)
14	26-60-5140	41792-0523	41792-0540	26-61-5140	55.32 (2.178)	51.51 (2.028)
15	26-60-5150	41792-0524	41792-0541	26-61-5150	59.28 (2.334)	55.47 (2.184)
16	26-60-5160	41792-0525	41792-0542	26-61-5160	63.25 (2.490)	59.44 (2.340)
17	26-60-5170	41792-0526	41792-0543	26-61-5170	67.21 (2.646)	63.40 (2.496)
18	26-60-5180	41792-0527	41792-0544	26-61-5180	71.17 (2.802)	67.36 (2.652)

Circuit number designation is for ordering purposes only, check corresponding circuit designation on mating connector

FEATURES AND SPECIFICATIONS

Features and Benefits

- Sizes 2 to 18 circuits
- End-to-end stackable

Reference Information

Product Specification: PS-08-50

Packaging: Bag

UL File No.: E29179

CSA File No.: LR19980

Mates With: Molex 3.96mm (.156") pitch connectors

Designed In: Inches

Electrical

Voltage: 250V

Current: 7.0A

Contact Resistance: 20mΩ max.

Dielectric Withstanding Voltage: 1500V

Insulation Resistance: 500K MΩ min.

Mechanical

Mating Force: 24 oz max.

Unmating Force: 4 oz min.

Normal Force: 350g

Durability: 25 cycles Tin

Physical

Housing: Nylon, UL 94V-2

Contact: Brass, 1.14mm (.045") round

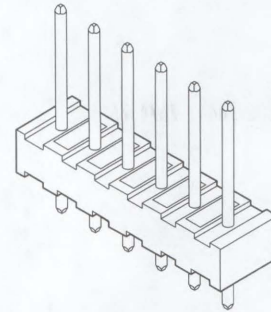
Plating: 5μm Tin and 0.51μm Gold

Operating Temperature: 0 to +75°C

molex® 3.96mm (.156") Pitch KK® Header

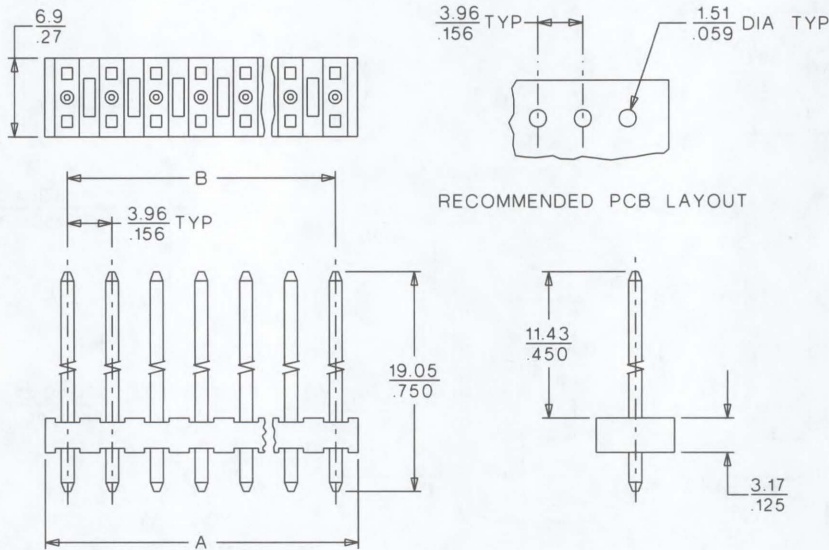
3192

Vertical Round Pin



3.00 to 7.92mm (.118 to .312") Pitch

CATALOG DRAWING (FOR REFERENCE ONLY)



ORDERING INFORMATION AND DIMENSIONS

Circuits	Order No.		Dimension	
	Tin	Gold	A	B
2	26-20-2021	26-23-2021	7.92 (.312)	3.96 (.156)
3	26-20-2031	26-23-2031	11.89 (.468)	7.92 (.312)
4	26-20-2041	26-23-2041	15.85 (.624)	11.89 (.468)
5	26-20-2051	26-23-2051	19.81 (.780)	15.85 (.624)
6	26-20-2061	26-23-2061	23.77 (.936)	19.81 (.780)
7	26-20-2071	26-23-2071	27.74 (1.092)	23.77 (.936)
8	26-20-2081	26-23-2081	31.70 (1.248)	27.74 (1.092)
9	26-20-2091	26-23-2091	35.66 (1.404)	31.70 (1.248)
10	26-20-2101	26-23-2101	39.62 (1.560)	35.66 (1.404)

Circuits	Order No.		Dimension	
	Tin	Gold	A	B
11	26-20-2111	26-23-2111	43.59 (1.716)	39.62 (1.560)
12	26-20-2121	26-23-2121	47.55 (1.872)	43.59 (1.716)
13	26-20-2131	26-23-2131	51.51 (2.028)	47.55 (1.872)
14	26-20-2141	26-23-2141	55.47 (2.184)	51.51 (2.028)
15	26-20-2151	26-23-2151	59.44 (2.340)	55.47 (2.184)
16	26-20-2161	26-23-2161	63.40 (2.496)	59.44 (2.340)
17	26-20-2171	26-23-2171	67.36 (2.652)	63.40 (2.496)
18	26-20-2181	26-23-2181	71.32 (2.808)	67.36 (2.652)

FEATURES AND SPECIFICATIONS

Features and Benefits

- Sizes 2 to 18 circuits

Reference Information

Product Specification: PS-08-50
 Packaging: Bag
 UL File No.: E29179
 CSA File No.: LR19980
 Mates With: Molex .156" connectors
 Designed In: Inches

Electrical

Voltage: 250V
 Current: 7.0A
 Contact Resistance: 20mΩ max.
 Dielectric Withstanding Voltage: 1500V
 Insulation Resistance: 500K MΩ min.

Mechanical

Mating Force: 24 oz max.
 Unmating Force: 4 oz min.
 Normal Force: 350g
 Durability: 25 cycles Tin

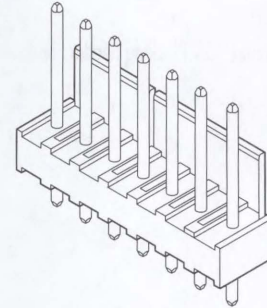
Physical

Housing: Nylon, UL 94V-0
 Contact: Brass, 1.14mm (.045") round
 Plating: 5μm Tin and 0.51μm Gold
 Operating Temperature: 0 to +75°C

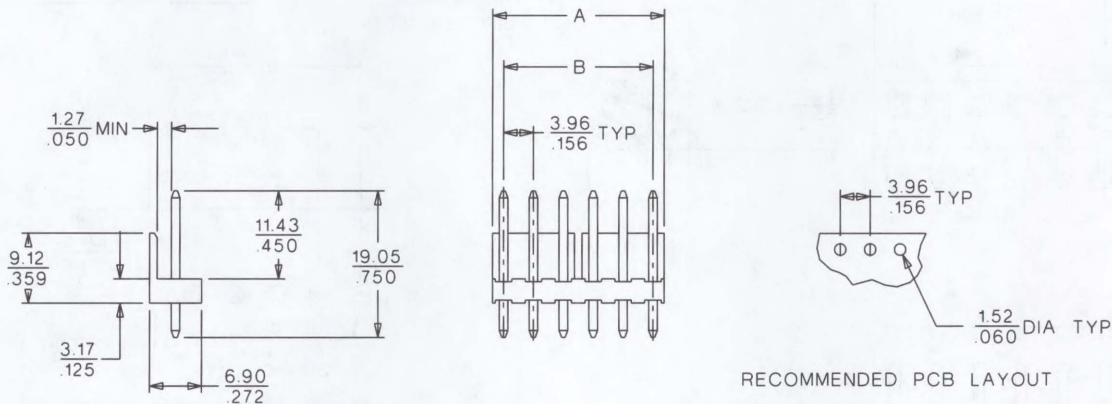
molex® 3.96mm (.156") Pitch KK® Header

3190

Vertical, Round Pin Polarizing Wall



CATALOG DRAWING (FOR REFERENCE ONLY)



RECOMMENDED PCB LAYOUT

ORDERING INFORMATION AND DIMENSIONS

Circuits	Order No.		Dimension	
	Tin	Gold	A	B
2	26-19-2021	26-22-2021	7.92 (.312)	3.96 (.156)
3	26-19-2031	26-22-2031	11.89 (.468)	7.92 (.312)
4	26-19-2041	26-22-2041	15.85 (.624)	11.89 (.468)
5	26-19-2051	26-22-2051	19.81 (.780)	15.85 (.624)
6	26-19-2061	26-22-2061	23.77 (.936)	19.81 (.780)
7	26-19-2071	26-22-2071	27.74 (1.092)	23.77 (.936)
8	26-19-2081	26-22-2081	31.70 (1.248)	27.74 (1.092)
9	26-19-2091	26-22-2091	35.66 (1.404)	31.70 (1.248)
10	26-19-2101	26-22-2101	39.62 (1.560)	35.66 (1.404)

Circuits	Order No.		Dimension	
	Tin	Gold	A	B
11	26-19-2111	26-22-2111	43.59 (1.716)	39.62 (1.560)
12	26-19-2121	26-22-2121	47.55 (1.872)	43.59 (1.716)
13	26-19-2131	26-22-2131	51.51 (2.028)	47.55 (1.872)
14	26-19-2141	26-22-2141	55.47 (2.184)	51.51 (2.028)
15	26-19-2151	26-22-2151	59.44 (2.340)	55.47 (2.184)
16	26-19-2161	26-22-2161	63.40 (2.496)	59.44 (2.340)
17	26-19-2171	26-22-2171	67.36 (2.652)	63.40 (2.496)
18	26-19-2181	26-22-2181	71.32 (2.808)	67.36 (2.652)

D
 3.00 to 7.92mm (.118 to .312") Pitch

FEATURES AND SPECIFICATIONS

Features and Benefits

- Sizes 2 to 15 circuits
- Large lead-in chamfers
- Side entry mount
- Polarizing key available
- Various tail lengths available
- Single beam available for low insertion force

Reference Information

Product Specification: PS-08-50

Packaging: Bag

UL File No.: E29179

CSA File No.: LR19980

Mates With: Molex KK 3.96mm (.156") locking headers or
1.14mm (.045") pins

Designed In: Inches

Electrical

Voltage: 250V AC max.

Current: 5.0A max.*

Contact Resistance: 6mΩ max.

Dielectric Withstanding Voltage: 1500V AC

Insulation Resistance: 50K MΩ min.

Physical

Housing: Polyester, UL 94V-0

Contact: Brass or Phosphor Bronze

Plating: See Table

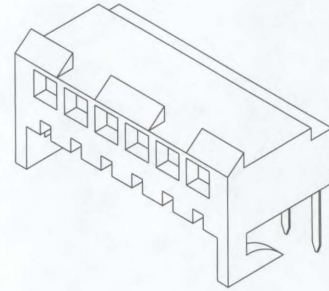
Operating Temperature: 0 to +75°C

molex® 3.96mm (.156") Pitch
KK®

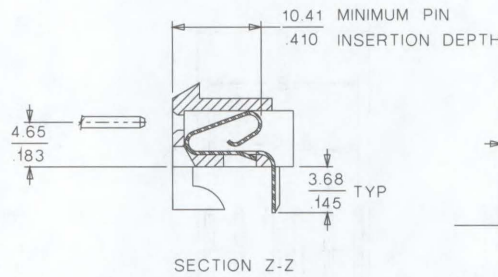
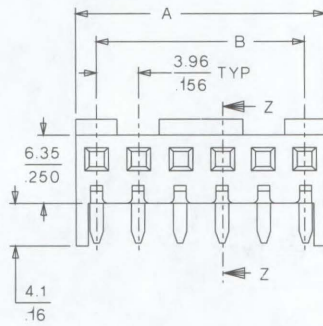
PC Board Connector

41815

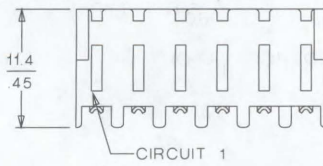
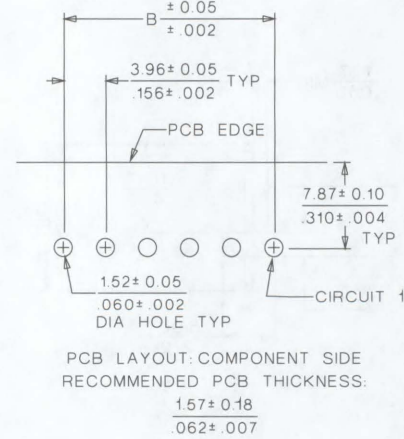
Right Angle



CATALOG DRAWING (FOR REFERENCE ONLY)



Polarizing Key	Order No.
	15-04-0297



ORDERING INFORMATION AND DIMENSIONS

Circuits	Order No.		Dimension	
	Tin	Select Gold	A	B
2	• 09-48-1024	• 09-48-3025	7.82 (.308)	3.96 (.156)
3	• 09-48-1034	• 09-48-3035	11.79 (.464)	7.92 (.312)
4	• 09-48-1044	• 09-48-3045	15.75 (.620)	11.89 (.468)
5	• 09-48-1054	• 09-48-3055	19.70 (.776)	15.85 (.624)
6	• 09-48-1064	• 09-48-3065	23.67 (.932)	19.81 (.780)
7	• 09-48-1074	• 09-48-3075	27.64 (1.088)	23.77 (.936)
8	• 09-48-1084	• 09-48-3085	31.60 (1.244)	27.74 (1.092)
9	• 09-48-1094	• 09-48-3095	35.56 (1.400)	31.70 (1.248)
10	• 09-48-1104	• 09-48-3105	39.52 (1.556)	35.66 (1.404)
11	• 09-48-1114	• 09-48-3115	43.48 (1.712)	39.62 (1.560)
12	• 09-48-1124	• 09-48-3125	47.45 (1.868)	43.59 (1.716)
13	• 09-48-1134	• 09-48-3135	51.41 (2.024)	47.55 (1.872)
14	• 09-48-1144	• 09-48-3145	55.37 (2.180)	51.51 (2.028)
15	• 09-48-1154	• 09-48-3155	59.33 (2.336)	55.47 (2.184)

• US Standard Product, available through Molex franchised distributors

* Dependent upon PC board

FEATURES AND SPECIFICATIONS

Features and Benefits

- Sizes 2 to 15 circuits
- Large lead-in chamfers
- Top entry mount
- Available with hooks removed (contact Molex)
- Polarizing key available
- Kinked terminal option available, and single beam available for low insertion force

Reference Information

Product Specification: PS-08-50

Packaging: Bag

UL File No.: E29179

CSA File No.: LR19980

Mates With: Molex KK 3.96mm (.156") locking headers or 1.14mm (.045") staked pins

Designed In: Inches

Electrical

Voltage: 250V AC max.

Current: 5.0A max.*

Contact Resistance: 6mΩ max.

Dielectric Withstanding Voltage: 1500V AC

Insulation Resistance: 50K MΩ min.

Physical

Housing: Polyester, UL 94V-0

Contact: Brass or Phosphor Bronze

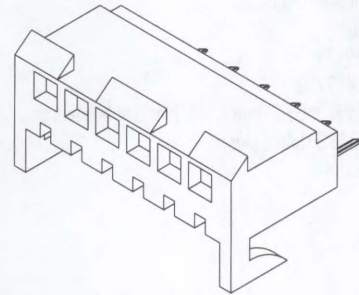
Plating: See Table

Operating Temperature: 0 to +75°C

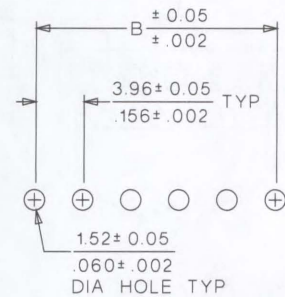
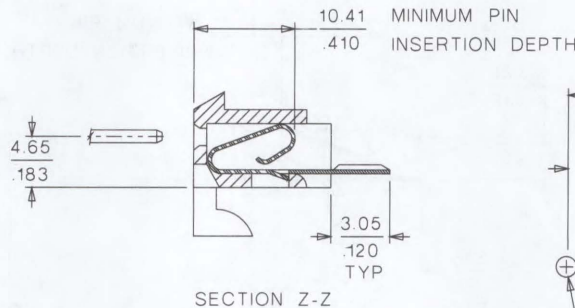
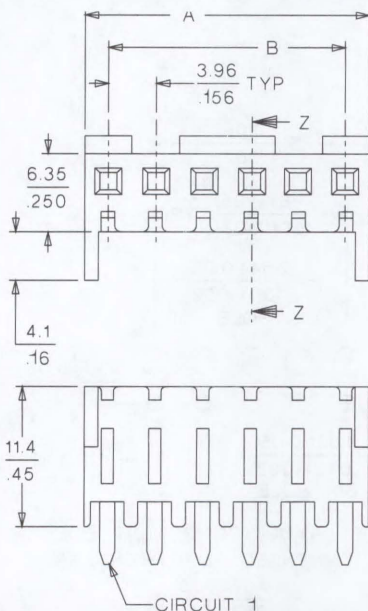
molex® 3.96mm (.156") Pitch KK® PC Board Connector

41815

Top Entry



CATALOG DRAWING (FOR REFERENCE ONLY)



PCB LAYOUT: COMPONENT SIDE
RECOMMENDED PCB THICKNESS:

1.57 ± 0.18
.062 ± .007

Polarizing Key	Order No.
	• 15-04-0297

ORDERING INFORMATION AND DIMENSIONS

Circuits	Order No.		Dimension	
	Tin	Select Gold	A	B
2	• 09-48-4028	• 09-48-3026	7.82 (.308)	3.96 (.156)
3	• 09-48-4038	• 09-48-3036	11.79 (.464)	7.92 (.312)
4	• 09-48-4048	• 09-48-3046	15.75 (.620)	11.89 (.468)
5	• 09-48-4058	• 09-48-3056	19.70 (.776)	15.85 (.624)
6	• 09-48-4068	• 09-48-3066	23.67 (.932)	19.81 (.780)
7	• 09-48-4078	• 09-48-3076	27.64 (1.088)	23.77 (.936)
8	• 09-48-4088	• 09-48-3086	31.60 (1.244)	27.74 (1.092)
9	• 09-48-4098	• 09-48-3096	35.56 (1.400)	31.70 (1.248)
10	• 09-48-4108	• 09-48-3106	39.52 (1.556)	35.66 (1.404)
11	• 09-48-4118	• 09-48-3116	43.48 (1.712)	39.62 (1.560)
12	• 09-48-4128	• 09-48-3126	47.45 (1.868)	43.59 (1.716)
13	• 09-48-4138	• 09-48-3136	51.41 (2.024)	47.55 (1.872)
14	• 09-48-4148	• 09-48-3146	55.37 (2.180)	51.51 (2.028)
15	• 09-48-4158	• 09-48-3156	59.33 (2.336)	55.47 (2.184)

• US Standard Product, available through Molex franchised distributors

* Dependent upon PC board

D

3.00 to 7.92mm (.118 to .312") Pitch

FEATURES AND SPECIFICATIONS

Features and Benefits

- Sizes 2 to 15 circuits
- Large lead-in chamfers
- Bottom entry mount
- Polarizing key available
- Mating headers must be long enough to accommodate board thickness

Reference Information

Product Specification: PS-08-50

Packaging: Bag

UL File No.: E29179

CSA File No.: LR19980

Mates With: Molex KK 3.96mm (.156") locking headers or
1.14mm (.045") staked pins

Designed In: Inches

Electrical

Voltage: 250V AC max.

Current: 5.0A max.*

Contact Resistance: 6mΩ max.

Dielectric Withstanding Voltage: 1500V AC

Insulation Resistance: 50K MΩ min.

Physical

Housing: Polyester, UL 94V-0

Contact: Brass or Phosphor Bronze

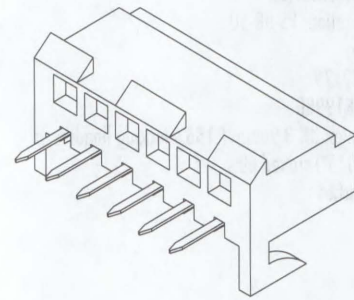
Plating: See Table

Operating Temperature: 0 to +75°C

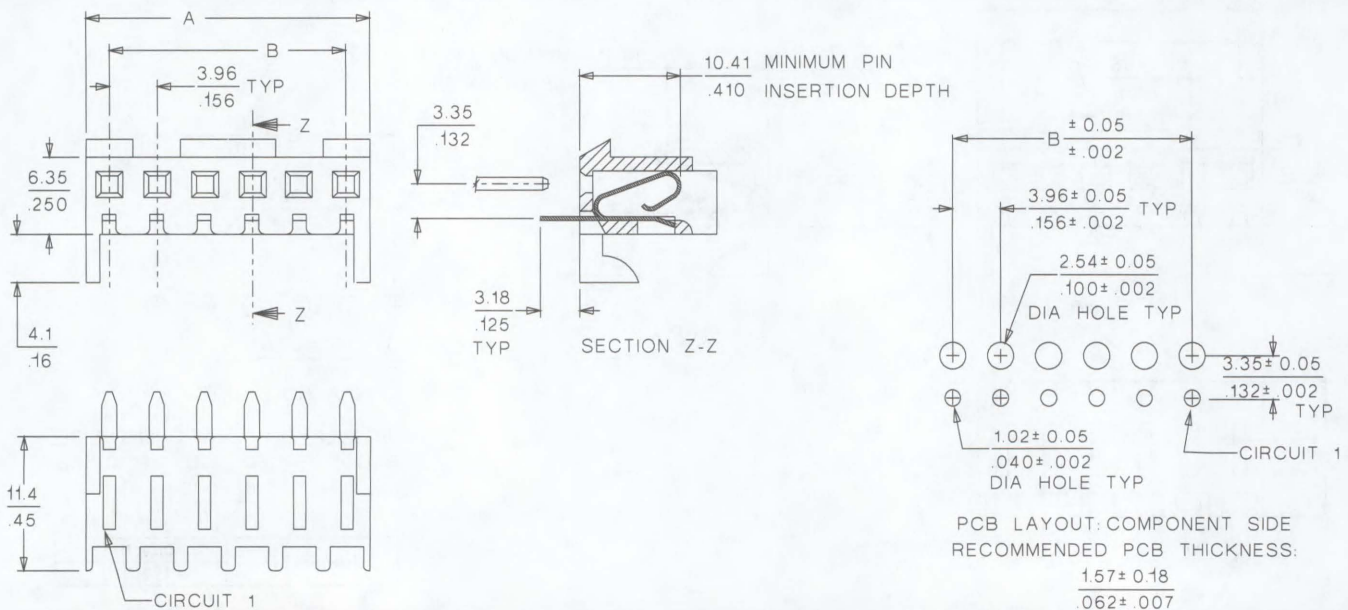
molex® 3.96mm (.156") Pitch KK® PC Board Connector

41815

Bottom Entry



CATALOG DRAWING (FOR REFERENCE ONLY)



ORDERING INFORMATION AND DIMENSIONS

Circuits	Order No.		Dimension	
	Tin	Select Gold	A	B
2	• 09-48-4029	• 09-48-3024	7.82 (.308)	3.96 (.156)
3	• 09-48-4039	• 09-48-3034	11.79 (.464)	7.92 (.312)
4	• 09-48-4049	• 09-48-3044	15.75 (.620)	11.89 (.468)
5	• 09-48-4059	• 09-48-3054	19.70 (.776)	15.85 (.624)
6	• 09-48-4069	• 09-48-3064	23.67 (.932)	19.81 (.780)
7	• 09-48-4079	• 09-48-3074	27.64 (1.088)	23.77 (.936)
8	• 09-48-4089	• 09-48-3084	31.60 (1.244)	27.74 (1.092)
9	• 09-48-4099	• 09-48-3094	35.56 (1.400)	31.70 (1.248)
10	• 09-48-4109	• 09-48-3104	39.52 (1.556)	35.66 (1.404)
11	• 09-48-4119	• 09-48-3114	43.48 (1.712)	39.62 (1.560)
12	• 09-48-4129	• 09-48-3124	47.45 (1.868)	43.59 (1.716)
13	• 09-48-4139	• 09-48-3134	51.41 (2.024)	47.55 (1.872)
14	• 09-48-4149	• 09-48-3144	55.37 (2.180)	51.51 (2.028)
15	• 09-48-4159	• 09-48-3154	59.33 (2.336)	55.47 (2.184)

• US Standard Product, available through Molex franchised distributors

* Dependent upon PC board

FEATURES AND SPECIFICATIONS

Features and Benefits

- Sizes 2 to 15 circuits
- Polarizing key and peg available
- Various pin lengths available
- Single beam available for low insertion force
- See 6365 for Trifurcon™ equivalent (contact Molex)

Reference Information

Packaging: Bag or tray
 UL File No.: E29179
 CSA File No.: LR19980
 Mates With: Molex KK 3.96mm (.156") locking headers or
 1.14mm (.045") pins
 Designed In: Inches

Electrical

Voltage: 250V AC max.
 Current: 5.0A max.*
 Contact Resistance: 6mΩ max.
 Dielectric Withstanding Voltage: 1500V AC
 Insulation Resistance: 50K MΩ min.

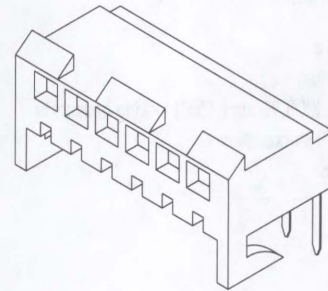
Physical

Housing: Nylon, UL 94V-2
 (see 41815 for polyester, UL 94V-0)
 Contact: Brass or Phosphor Bronze
 Plating: See Table
 Operating Temperature: 0 to +75°C



3.96mm (.156") Pitch KK® PC Board Connector

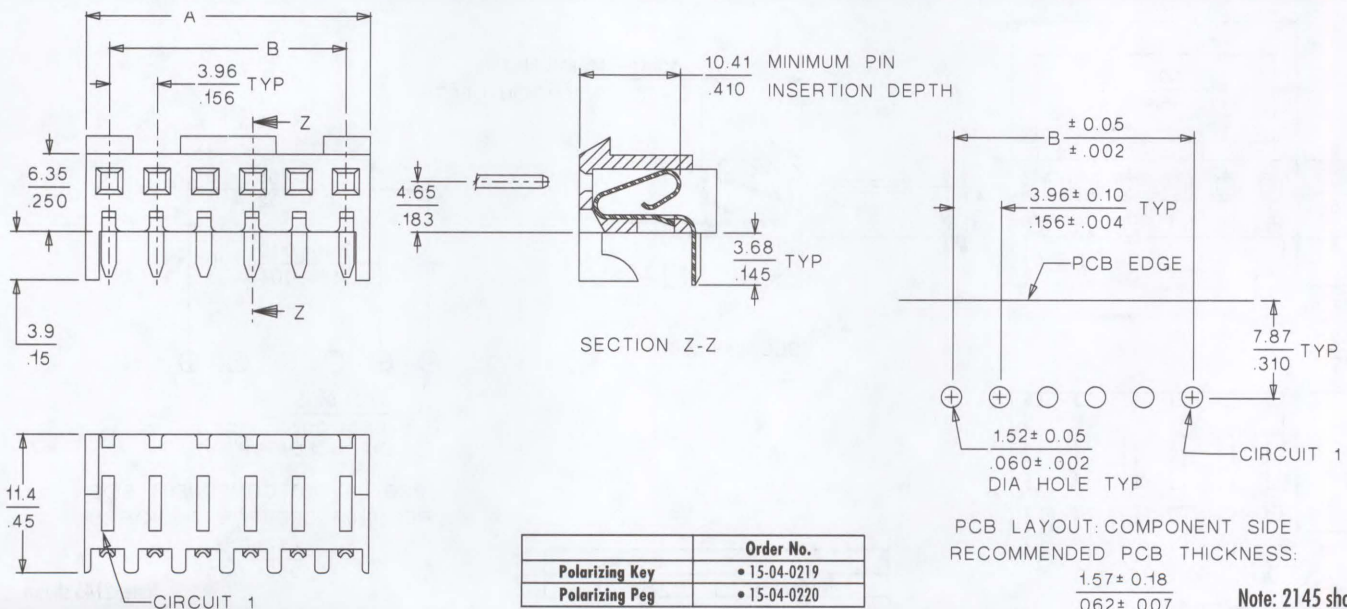
2145/3215 Right Angle



D

3.00 to 7.92mm (.118 to .312") Pitch

CATALOG DRAWING (FOR REFERENCE ONLY)



ORDERING INFORMATION AND DIMENSIONS

Circuits	Order No.				Dimension		Center Hook(s) Location
	2145		3215 †		A	B	
	Tin	Select Gold	Tin	Select Gold			
2	• 09-52-1026	• 09-62-3021			7.82 (.308)	3.96 (.156)	
3	• 09-52-1036	• 09-62-3031	26-11-6034	26-11-6031	11.79 (.464)	7.92 (.312)	
4	• 09-52-1046	• 09-62-3041	26-11-6044	26-11-6041	15.75 (.620)	11.89 (.468)	
5	• 09-52-1056	• 09-62-3051	26-11-6054	26-11-6051	19.71 (.776)	15.85 (.624)	
6	• 09-52-1066	• 09-62-3061	26-11-6064	26-11-6061	23.07 (.932)	19.81 (.780)	
7	• 09-52-1076	• 09-62-3071	26-11-6074	26-11-6071	27.64 (1.088)	23.77 (.936)	
8	• 09-52-1086	• 09-62-3081	26-11-6084	26-11-6081	31.60 (1.244)	27.74 (1.092)	(1) between circuits 4-5
9	• 09-52-1096	• 09-62-3091	26-11-6094	26-11-6091	35.56 (1.400)	31.70 (1.248)	(1) between circuits 4-5
10	• 09-52-1106	• 09-62-3101	26-11-6104	26-11-6101	39.52 (1.556)	35.66 (1.404)	(1) between circuits 5-6
11	• 09-52-1116	• 09-62-3111	26-11-6114	26-11-6111	43.48 (1.712)	39.62 (1.560)	
12	• 09-52-1126	• 09-62-3121	26-11-6124	26-11-6121	47.45 (1.868)	43.59 (1.716)	(2) between circuits 4-5 and 8-9
13	• 09-52-1136	• 09-62-3131		26-11-6131	51.41 (2.024)	47.55 (1.872)	
14	• 09-52-1146	• 09-62-3141		26-11-6141	55.37 (2.180)	51.51 (2.028)	
15	• 09-52-1156	• 09-62-3151	26-11-6154	26-11-6151	59.33 (2.336)	55.47 (2.184)	(2) between circuits 5-6 and 10-11

• US Standard Product, available through Molex franchised distributors

* Dependent upon PC board

† Preferred version in Europe and the Far East

FEATURES AND SPECIFICATIONS

Features and Benefits

- Sizes 2 to 15 circuits
- Available without locking ramp or hook
- Polarizing key available
- Various tail lengths available
- Available with kinked tail option or single beam for low insertion force
- See 6365 for Trifurcon™ equivalent (contact Molex)

Reference Information

Packaging: Bag
 UL File No.: E29179
 CSA File No.: LR19980
 Mates With: Molex KK 3.96mm (.156") locking headers or
 1.14mm (.045") stacked pins
 Designed In: Inches

Electrical

Voltage: 250V
 Current: 5.0A max.*
 Contact Resistance: 6mΩ max.
 Dielectric Withstanding Voltage: 1500V AC
 Insulation Resistance: 50K MΩ min.

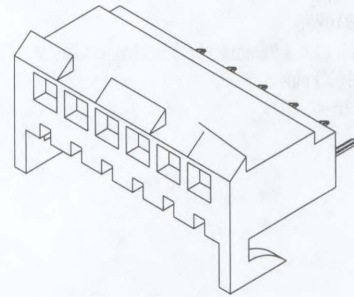
Physical

Housing: Nylon, UL 94V-2
 (see 41815 for polyester, UL 94V-0)
 Contact: Brass or Phosphor Bronze
 Plating: See Table
 Operating Temperature: 0 to +75°C

molex® 3.96mm (.156") Pitch KK® PC Board Connector

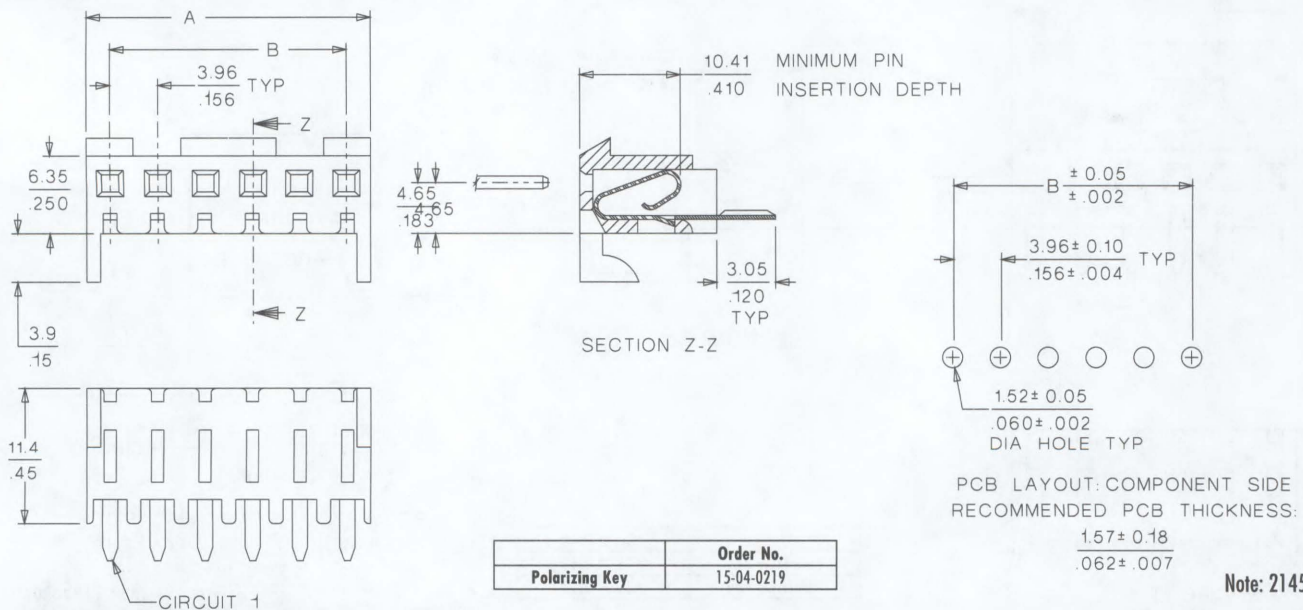
2145/3215

Top Entry



3.00 to 7.92mm (.118 to .312") Pitch

CATALOG DRAWING (FOR REFERENCE ONLY)



ORDERING INFORMATION AND DIMENSIONS

Circuits	Order No.				Dimension		Center Hook(s) Location
	2145		3215 [†]		A	B	
	Tin	Select Gold	Tin	Select Gold			
2	09-62-6025	09-62-3023			7.82 (.308)	3.96 (.156)	
3	09-62-6035	09-62-3033	26-11-2033	26-30-1033	11.79 (.464)	7.92 (.312)	
4	09-62-6045	09-62-3043	26-11-2043	26-30-1043	15.75 (.620)	11.89 (.468)	
5	09-62-6055	09-62-3053	26-11-2053	26-30-1053	19.71 (.776)	15.85 (.624)	
6	09-62-6065	09-62-3063	26-11-2063	26-30-1063	23.07 (.932)	19.81 (.780)	
7	09-62-6075	09-62-3073	26-11-2073	26-30-1073	27.64 (1.088)	23.77 (.936)	
8	09-62-6085	09-62-3083	26-11-2083	26-30-1083	31.60 (1.244)	27.74 (1.092)	(1) between circuits 4-5
9	09-62-6095	09-62-3093	26-11-2093	26-30-1093	35.56 (1.400)	31.70 (1.248)	(1) between circuits 4-5
10	09-62-6105	09-62-3103	26-11-2103	26-30-1103	39.52 (1.556)	35.66 (1.404)	(1) between circuits 5-6
11	09-62-6115	09-62-3113	26-11-2113	26-30-1113	43.48 (1.712)	39.62 (1.560)	
12	09-62-6125	09-62-3123	26-11-2123	26-30-1123	47.45 (1.868)	43.59 (1.716)	(2) between circuits 4-5 and 8-9
13	09-62-6135	09-62-3133	26-11-2133	26-30-1133	51.41 (2.024)	47.55 (1.872)	
14	09-62-6145	09-62-3143	23-11-2143	26-30-1143	55.37 (2.180)	51.51 (2.028)	
15	09-62-6155	09-62-3153	26-11-2153	26-30-1153	59.33 (2.336)	55.47 (2.184)	(2) between circuits 5-6 and 10-11

* US Standard Product, available through Molex franchised distributors

* Dependent upon PC board

† Preferred version in Europe and the Far East

FEATURES AND SPECIFICATIONS

Features and Benefits

- Sizes 2 to 15 circuits
- Mating headers must be long enough to accommodate board thickness
- Polarizing key available
- Available without hooks
- Various tail lengths available

Reference Information

Packaging: Bag
 UL File No.: E29179
 CSA File No.: LR19980
 Mates With: Molex KK 3.96mm (.156") locking headers
 or 1.14mm (.045") pins
 Designed In: Inches

Electrical

Voltage: 250V AC
 Current: 5.0A max.*
 Contact Resistance: 6mΩ max.
 Dielectric Withstanding Voltage: 1500V AC
 Insulation Resistance: 50K MΩ min.

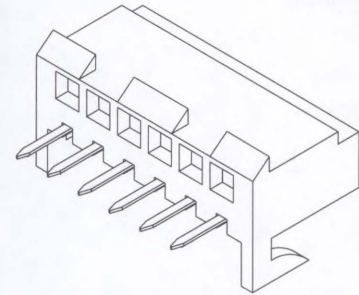
Physical

Housing: Nylon, UL 94V-2
 (see 41815 for polyester, UL 94V-0)
 Contact: Brass or Phosphor Bronze
 Plating: See Table
 Operating Temperature: 0 to +75°C

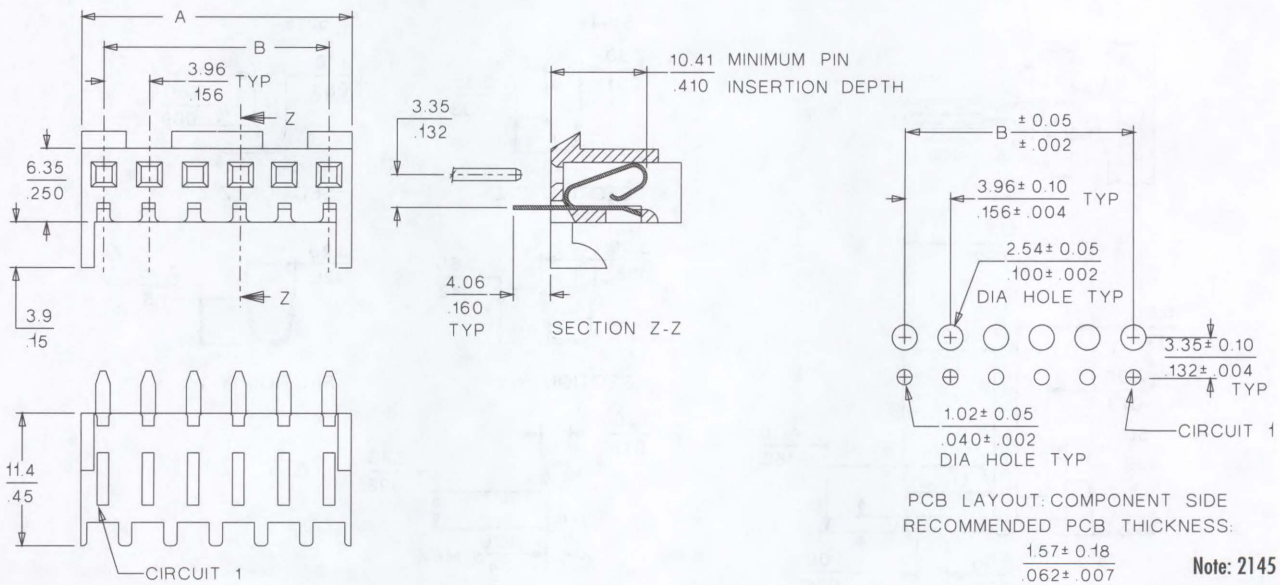
molex® 3.96mm (.156") Pitch KK® PC Board Connector

2145/3215

Bottom Entry



CATALOG DRAWING (FOR REFERENCE ONLY)



D
 3.00 to 7.92mm (.118 to .312") Pitch

ORDERING INFORMATION AND DIMENSIONS

Circuits	Order No.				Dimension		Center Hook(s) Location
	2145		3215†		A	B	
	Tin	Select Gold	Tin	Select Gold			
2	• 09-62-6024	• 09-62-3022			7.82 (.308)	3.96 (.156)	
3	• 09-62-6034	• 09-62-3032	26-11-6035	26-29-1031	11.79 (.464)	7.92 (.312)	
4	• 09-62-6044	• 09-62-3042	26-11-6045	26-29-1041	15.75 (.620)	11.89 (.468)	
5	• 09-62-6054	• 09-62-3052	26-11-6055	26-29-1051	19.71 (.776)	15.85 (.624)	
6	• 09-62-6064	• 09-62-3062	26-11-6065	26-29-1061	23.07 (.932)	19.81 (.780)	
7	• 09-62-6074	• 09-62-3072	26-11-6075	26-29-1071	27.64 (1.088)	23.77 (.936)	
8	• 09-62-6084	• 09-62-3082	26-11-6085	26-29-1081	31.60 (1.244)	27.74 (1.092)	(1) between circuits 4-5
9	• 09-62-6094	• 09-62-3092	26-11-6095	26-29-1091	35.56 (1.400)	31.70 (1.248)	(1) between circuits 4-5
10	• 09-62-6104	• 09-62-3102	26-11-6105	26-29-1101	39.52 (1.556)	35.66 (1.404)	(1) between circuits 5-6
11	• 09-62-6114	• 09-62-3112		26-29-1111	43.48 (1.712)	39.62 (1.560)	
12	• 09-62-6124	• 09-62-3122	26-11-6125	26-29-1121	47.45 (1.868)	43.59 (1.716)	(2) between circuits 4-5 and 8-9
13	• 09-62-6134	• 09-62-3132		26-29-1131	51.41 (2.024)	47.55 (1.872)	
14	• 09-62-6144	• 09-62-3142		26-29-1141	55.37 (2.180)	51.51 (2.028)	
15	• 09-62-6154	• 09-62-3152	26-11-6155	26-29-1151	59.33 (2.336)	55.47 (2.184)	(2) between circuits 5-6 and 10-11

• US Standard Product, available through Molex franchised distributors

* Dependent upon PC board

† Preferred version in Europe and the Far East

FEATURES AND SPECIFICATIONS

Features and Benefits

- 4-point contact
- Anti-fishhooking contact design

Reference Information

Packaging: Reel or bag

Tooling Information: See end of section

Use With: 5195-N, 5196-N, 5197-N, 5198-N,

5199-N and 43061 housings

Designed In: Millimeters

Electrical

Voltage: 250V

Current:

5194—7.0A max. (Brass) or 5.0A (Phosphor Bronze)

5225—4.0A max.

Contact Resistance: 10mΩ max.

Dielectric Withstanding Voltage: 1500V AC/1 min.

Insulation Resistance: 1000 MΩ min.

Physical

Contact: 5194—Brass and Phosphor Bronze

5225—Brass

Plating: Tin

Operating Temperature: -40 to +105°C

Wire Accommodation: 5194—18 to 24 AWG

5225—22 to 28 AWG

Strip Length: 3.0 to 3.5mm



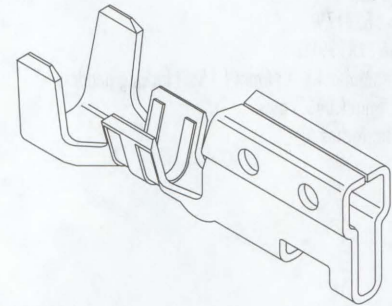
3.96mm (.156") Pitch

SPOX™

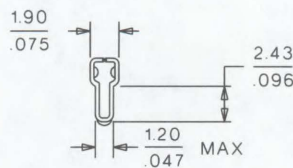
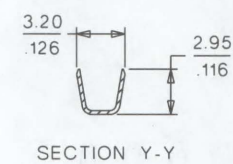
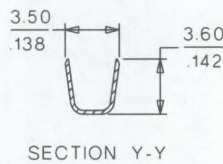
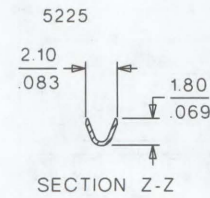
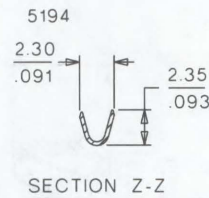
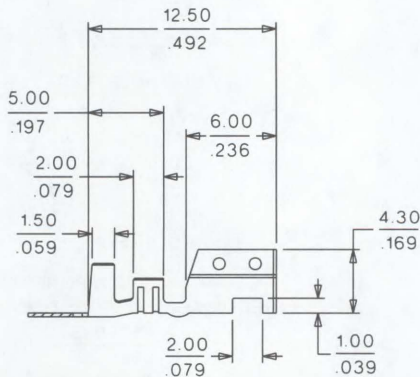
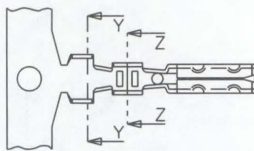
Crimp Terminal

5194/5225

Spring Box



CATALOG DRAWING (FOR REFERENCE ONLY)



ORDERING INFORMATION AND DIMENSIONS

Order No.	Terminal	Wire Gauge AWG	Insulation Diameter	Contact Material
08-70-1031	Reel	18-24	1.30-3.20mm	Tin-Plated Brass
08-70-1030	Bag			
39-00-0021	Reel			Tin-Plated Phosphor Bronze
39-00-0022	Bag			
08-70-1029	Reel	22-28	1.20-2.60mm	Tin-Plated Brass
08-70-1028	Bag			

Recommended wire range assumes stranded wire

D 3.00 to 7.92mm (.118 to .312") Pitch

FEATURES AND SPECIFICATIONS

Features and Benefits

- Sizes 2 to 12 circuits
- Ramp and ribs provide 180° and side-to-side polarization
- Housing option A provides passive retention to headers with friction lock backwalls
- Integral housing latch eliminates potential for terminal back-out due to damaged locking tangs
- Spring box terminal design offers 4 points of contact; this interconnect system is recommended for severe environmental and high vibration applications

Reference Information

Product Specification: PS-5194/5225

UL File No.: E29179

CSA File No.: LR19980

TUV File No.: R75108

Mates With: Molex KK 3.96mm (.156") pitch header or

1.14mm (.045") pins

Use With: 5194 and 5225

Designed In: Inches

Electrical

Voltage: 250V AC max.

Current: Phosphor Bronze—7.0A max.

Brass—5.0A max.

Contact Resistance: 10mΩ max.

Dielectric Withstanding Voltage: 1500V AC

Physical

Housing: White polyester, UL 94V-0

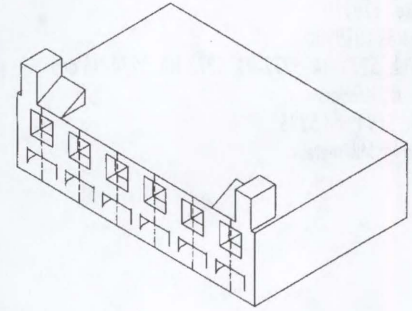
Contact: Brass or Phosphor Bronze

Plating: Tin over Copper

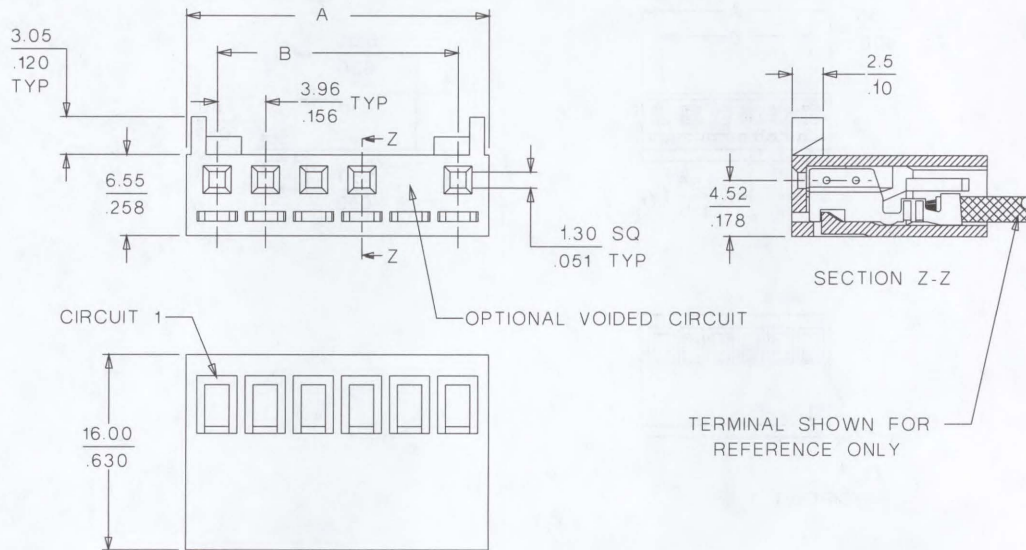
Operating Temperature: 0 to +75°C

molex® 3.96mm (.156") Pitch SPOX™ Housing

43061



CATALOG DRAWING (FOR REFERENCE ONLY)



ORDERING INFORMATION AND DIMENSIONS

Circuits	Order No.		Dimension	
	With Ramps and Ribs	Without Ramps and Ribs	A	B
2	43061-0002	43061-0013	9.06 (.357)	3.96 (.156)
3	43061-0003	43061-0014	13.02 (.513)	7.92 (.312)
4	43061-0004	43061-0015	16.98 (.669)	11.88 (.468)
5	43061-0005	43061-0016	20.94 (.824)	15.84 (.624)
6	43061-0006	43061-0017	24.90 (.980)	19.80 (.780)
7	43061-0007	43061-0018	28.86 (1.136)	23.76 (.935)
8	43061-0008	43061-0019	32.82 (1.292)	27.72 (1.091)
9	43061-0009	43061-0020	36.78 (1.448)	31.68 (1.247)
10	43061-0010	43061-0021	40.74 (1.604)	35.64 (1.403)
11	43061-0011	43061-0022	44.70 (1.760)	39.60 (1.560)
12	43061-0012	43061-0023	48.66 (1.916)	43.56 (1.715)

D

3.00 to 7.92mm (.118 to .312") Pitch

FEATURES AND SPECIFICATIONS

Features and Benefits

- Sizes 2 to 12 circuits
- With locking ramp
- Molded-in locking arm for terminal

Reference Information

Packaging: Bag
 UL File No.: E29179
 CSA File No.: LR19980
 Mates With: 5271-NA, 5272-NA, 5273-NA, 5274-NA and 5096-NC headers
 Use With: 5194 and 5225
 Designed In: Millimeters

Electrical

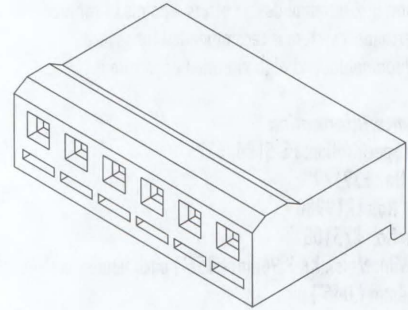
Voltage: 250V
 Current: 5194—7.0A
 5225—4.0A
 Contact Resistance: 10mΩ max.
 Dielectric Withstanding Voltage: 1500V AC/1 min.
 Insulation Resistance: 1000 MΩ min.

Physical

Housing: 6/6 nylon, UL 94V-2
 Operating Temperature: -40 to +105°C

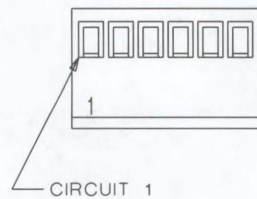
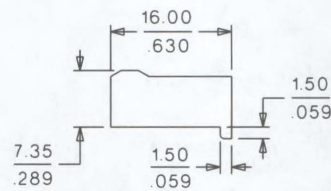
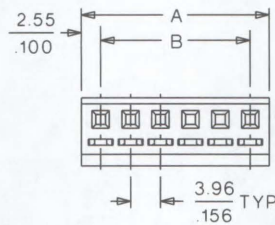
molex® 3.96mm (.156") Pitch SPOX™ Crimp Terminal Housing

5195-N



D 3.00 to 7.92mm (.118 to .312") Pitch

CATALOG DRAWING (FOR REFERENCE ONLY)



ORDERING INFORMATION AND DIMENSIONS

Circuits	Order No.	Dimension	
		A	B
2	09-50-1021	9.06 (.357)	3.96 (.156)
3	09-50-1031	13.02 (.513)	7.92 (.312)
4	09-50-1041	16.98 (.669)	11.88 (.467)
5	09-50-1051	20.94 (.824)	15.84 (.623)
6	09-50-1061	24.90 (.980)	19.80 (.779)
7	09-50-1071	28.86 (1.136)	23.76 (.935)
8	09-50-1081	32.82 (1.292)	27.72 (1.091)
9	09-50-1091	36.78 (1.448)	31.68 (1.247)
10	09-50-1101	40.74 (1.604)	35.64 (1.403)
11	09-50-1111	44.70 (1.760)	39.60 (1.559)
12	09-50-1121	48.66 (1.916)	43.56 (1.714)

FEATURES AND SPECIFICATIONS

Features and Benefits

- Sizes 2 to 11 circuits
- With locking ramp
- Second circuits blanked for polarization
- Molded pull tab
- Molded-in locking arm for terminal

Reference Information

Packaging: Bag
 UL File No.: E29179
 CSA File No.: LR19980
 Mates With: 5275-NA, 5276-NA, 5277-NA and
 5278-NA headers
 Use With: 5194 and 5225
 Designed In: Millimeters

Electrical

Voltage: 250V
 Current: 5194—7.0A
 5225—4.0A
 Contact Resistance: 10mΩ max.
 Dielectric Withstanding Voltage: 1500V AC/1 min.
 Insulation Resistance: 1000 MΩ min.

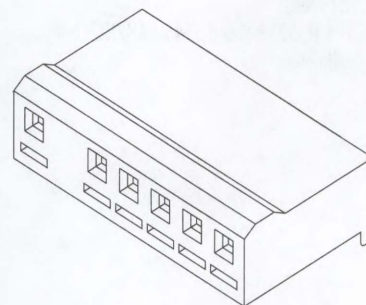
Physical

Housing: 6/6 nylon, UL 94V-2
 Operating Temperature: -40 to +105°C

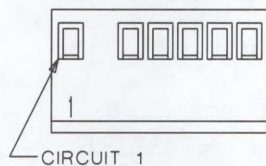
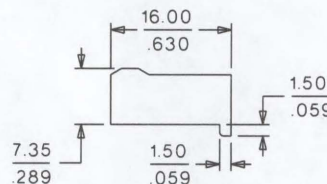
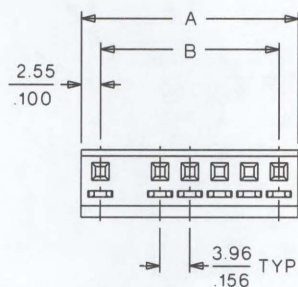


3.96mm (.156") Pitch SPOX™ Crimp Terminal Housing

5196-N



CATALOG DRAWING (FOR REFERENCE ONLY)



ORDERING INFORMATION AND DIMENSIONS

Circuits	Order No.	Dimension	
		A	B
2	09-50-1023	13.02 (.512)	7.92 (.312)
3	09-50-1033	16.98 (.669)	11.88 (.467)
4	09-50-1043	20.94 (.824)	15.84 (.623)
5	09-50-1053	24.90 (.980)	19.80 (.779)
6	09-50-1063	28.86 (1.136)	23.76 (.935)
7	09-50-1073	32.82 (1.292)	27.72 (1.091)
8	09-50-1083	36.78 (1.448)	31.68 (1.247)
9	09-50-1093	40.74 (1.604)	35.64 (1.403)
10	09-50-1103	44.70 (1.760)	39.60 (1.559)
11	09-50-1113	48.66 (1.916)	43.56 (1.714)

D
 3.00 to 7.92mm (.118 to .312") Pitch

FEATURES AND SPECIFICATIONS

Features and Benefits

- Sizes 2 to 12 circuits
- Other plating options available

Reference Information

Packaging: Bag
 UL File No.: E29179
 CSA File No.: LR19980
 Mates With: 5195-N, 5239-N and 5145-NAH/NCH housings
 Designed In: Millimeters

Electrical

Voltage: 250V
 Current: 7.0A
 Contact Resistance: 10mΩ max.
 Dielectric Withstanding Voltage: 1500V AC/1 min.
 Insulation Resistance: 1000 MΩ min.

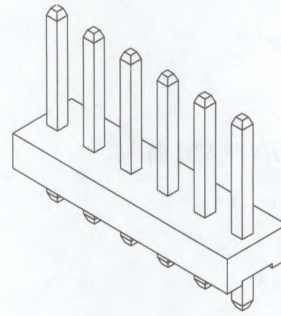
Physical

Housing: 6/6 nylon, UL 94V-2
 Contact: Brass, 1.14mm (.045") square
 Plating: Tin
 Operating Temperature: -40 to +105°C

molex® 3.96mm (.156") Pitch Header

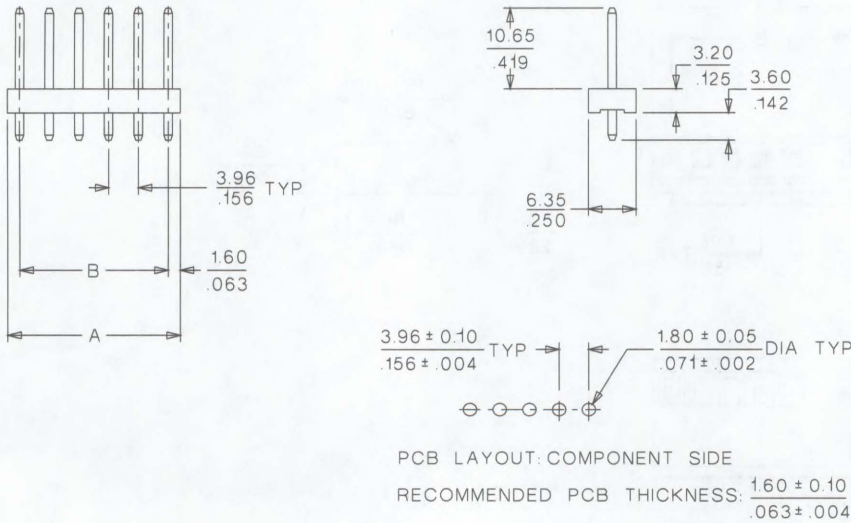
5271-NA

Vertical



D
3.00 to 7.92mm (.118 to .312") Pitch

CATALOG DRAWING (FOR REFERENCE ONLY)



ORDERING INFORMATION AND DIMENSIONS

Circuits	Order No.	Dimension	
		A	B
2	09-67-4021	7.16 (.282)	3.96 (.156)
3	09-67-4031	11.12 (.437)	7.92 (.312)
4	09-67-4041	15.08 (.593)	11.88 (.467)
5	09-67-4051	19.04 (.749)	15.84 (.623)
6	09-67-4061	23.00 (.906)	19.80 (.779)
7	09-67-4071	26.96 (1.061)	23.76 (.935)
8	09-67-4081	30.92 (1.217)	27.72 (1.091)
9	09-67-4091	34.88 (1.371)	31.68 (1.247)
10	09-67-4101	38.84 (1.529)	35.64 (1.403)
11	09-67-4111	42.80 (1.690)	39.60 (1.559)
12	09-67-4121	46.76 (1.840)	43.56 (1.714)

FEATURES AND SPECIFICATIONS

Features and Benefits

- Sizes 2 to 11 circuits
- Second circuit blanked for polarization
- Other plating options available

Reference Information

Packaging: Bag
 UL File No.: E29179
 CSA File No.: LR19980
 Mates With: 5196-N and 5265-N housings
 Designed In: Millimeters

Electrical

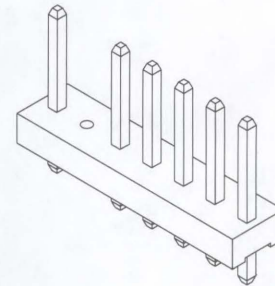
Voltage: 250V
 Current: 7.0A
 Contact Resistance: 10mΩ max.
 Dielectric Withstanding Voltage: 1500V AC/1 min.
 Insulation Resistance: 1000 MΩ min.

Physical

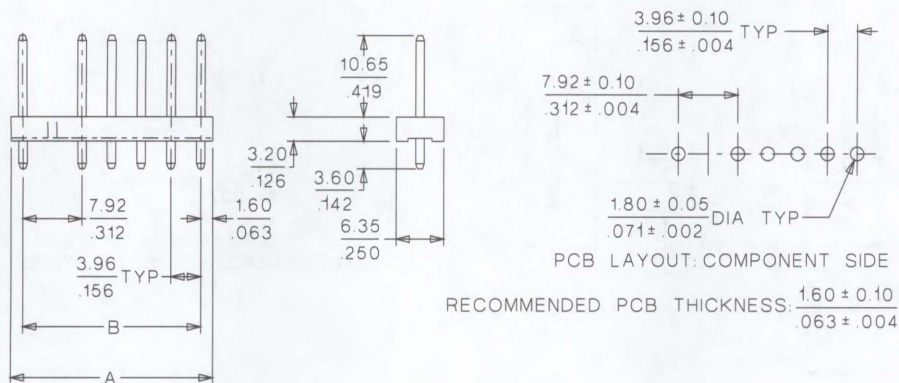
Housing: 6/6 nylon, UL 94V-2
 Contact: Brass, 1.14mm (.045") square
 Plating: Tin
 Operating Temperature: -40 to +105°C

molex® 3.96mm (.156") Pitch
SPOX™
Header

5275-NA
Vertical



CATALOG DRAWING (FOR REFERENCE ONLY)



ORDERING INFORMATION AND DIMENSIONS

Circuits	Order No.	Dimension	
		A	B
2	09-67-4022	11.12 (.437)	7.92 (.312)
3	09-67-4032	15.08 (.594)	11.88 (.467)
4	09-67-4042	19.04 (.750)	15.84 (.623)
5	09-67-4052	23.00 (.906)	19.80 (.779)
6	09-67-4062	26.96 (1.061)	23.76 (.935)
7	09-67-4072	30.92 (1.217)	27.72 (1.091)
8	09-67-4082	34.88 (1.373)	31.68 (1.247)
9	09-67-4092	38.84 (1.529)	35.64 (1.403)
10	09-67-4102	42.80 (1.685)	39.60 (1.559)
11	09-67-4112	46.76 (1.841)	43.56 (1.714)

D

3.00 to 7.92mm (.118 to .312") Pitch

FEATURES AND SPECIFICATIONS

Features and Benefits

- Sizes 2 to 8 circuits
- Plating options available (contact Molex)

Reference Information

Packaging: Bag
 UL File No.: E29179
 CSA File No.: LR19980
 Mates With: 5195-N and 5239-N housings
 Designed In: Millimeters

Electrical

Voltage: 250V
 Current: 7.0A
 Contact Resistance: 10mΩ max.
 Dielectric Withstanding Voltage: 1500V AC/1 min.
 Insulation Resistance: 1000 MΩ min.

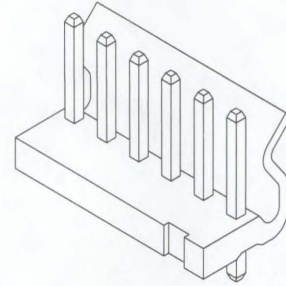
Physical

Housing: 6/6 nylon, UL 94V-2
 Contact: Brass, 1.14mm (.045") square
 Plating: Tin
 Operating Temperature: -40 to +105°C

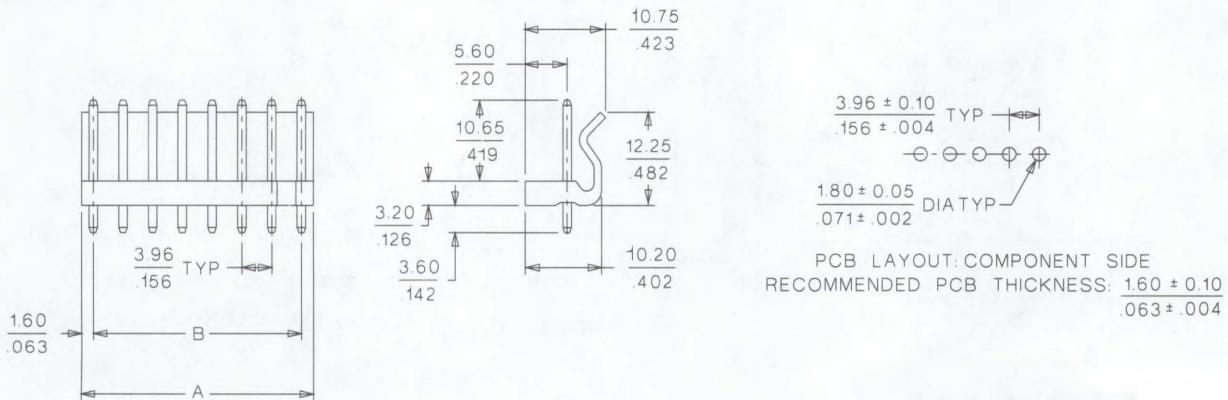
molex® **3.96mm (.156") Pitch**
SPOX™
Header

5273-NA

Vertical
Friction Lock



CATALOG DRAWING (FOR REFERENCE ONLY)



ORDERING INFORMATION AND DIMENSIONS

Circuits	Order No.	Dimension	
		A	B
2	09-65-2028	7.16 (.282)	3.96 (.156)
3	09-65-2038	11.12 (.437)	7.92 (.312)
4	09-65-2048	15.08 (.593)	11.88 (.467)
5	09-65-2058	19.04 (.749)	15.84 (.623)
6	09-65-2068	23.00 (.906)	19.80 (.779)
7	09-65-2078	26.96 (1.061)	23.76 (.935)
8	09-65-2088	30.92 (1.217)	27.72 (1.091)

D 3.00 to 7.92mm (.118 to .312") Pitch

FEATURES AND SPECIFICATIONS

Features and Benefits

- Sizes 2 to 8 circuits
- Locking ramp
- Other plating options available

Reference Information

Packaging: Bag
 UL File No.: E29179
 CSA File No.: LR19980
 Mates With: 5196-N and 5265-N housings
 Designed In: Millimeters

Electrical

Voltage: 250V
 Current: 7.0A
 Contact Resistance: 10mΩ max.
 Dielectric Withstanding Voltage: 1500V AC/1 min.
 Insulation Resistance: 1000 MΩ min.

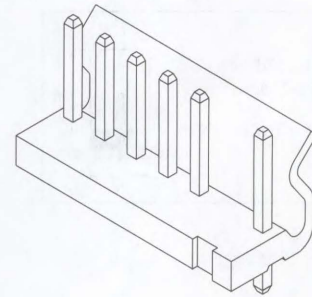
Physical

Housing: 6/6 nylon, UL 94V-2
 Contact: Brass, 1.14mm (.045") square
 Plating: Tin
 Operating Temperature: -40 to +105°C

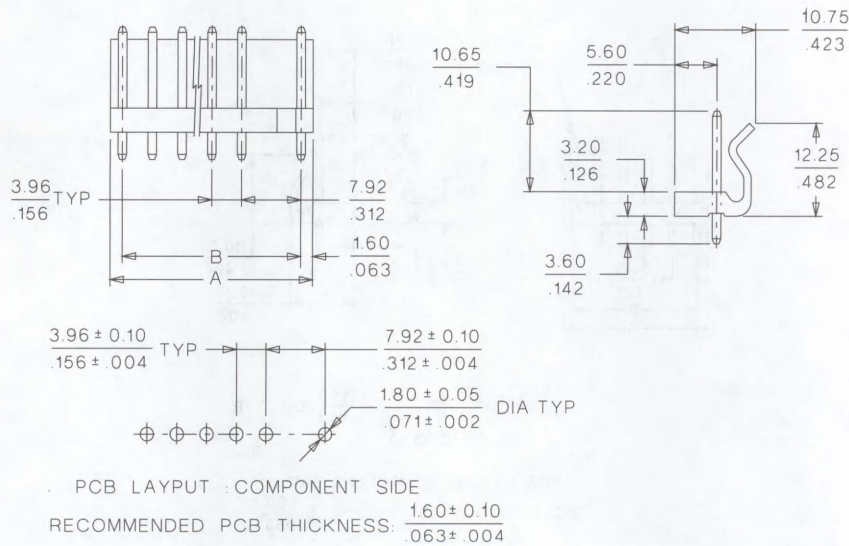
molex® **3.96mm (.156") Pitch**
SPOX™
Header

5277-NA

Vertical
Friction Lock



CATALOG DRAWING (FOR REFERENCE ONLY)



D
3.00 to 7.92mm (.118 to .312") Pitch

ORDERING INFORMATION AND DIMENSIONS

Circuits	Order No.	Dimension	
		A	B
2	09-65-2029	11.12 (.437)	7.92 (.312)
3	09-65-2039	15.08 (.594)	11.88 (.467)
4	09-65-2049	19.04 (.750)	15.84 (.623)
5	09-65-2059	23.00 (.906)	19.80 (.779)
6	09-65-2069	26.96 (1.061)	23.76 (.935)
7	09-65-2079	30.92 (1.217)	27.72 (1.091)
8	09-65-2089	34.88 (1.373)	31.68 (1.247)

FEATURES AND SPECIFICATIONS

Features and Benefits

- Sizes 2 to 9 circuits
- Open back wall provides locking and lower insertion force

Reference Information

Packaging: Bag
 UL File No.: E29179
 Mates With: 5195-N and 5239-N
 Designed In: Millimeters

Electrical

Voltage: 250V
 Current: 7.0A
 Contact Resistance: 10mΩ max.
 Dielectric Withstanding Voltage: 1500V AC/1 min.
 Insulation Resistance: 1000 MΩ min.

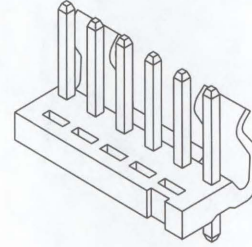
Physical

Housing: Glass-filled PBTP, UL 94V-0
 Contact: Brass
 Plating: Tin
 Operating Temperature: -40 to +105°C

molex® 3.96mm (.156") Pitch SPOX™ Header

53405

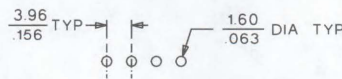
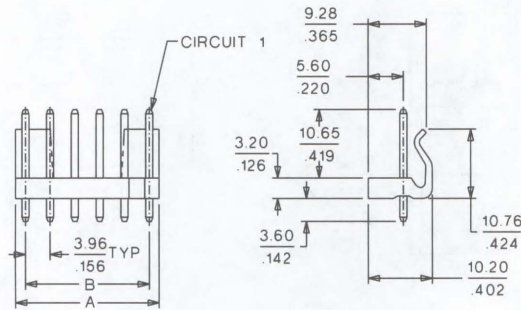
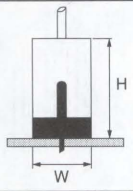
Vertical Friction Lock



D
 3.00 to 7.92mm (.118 to .312") Pitch

Mating Dimensions

1.53405/5195-N/5194 or 5225
 H=19.20mm (.756") W=11.80mm (.465")
 2.53405/5239-N/2478 or 5167 or 2578 or 5168



PCB LAYOUT: COMPONENT SIDE
 RECOMMENDED PCB THICKNESS: $\frac{1.60}{.063}$

ORDERING INFORMATION AND DIMENSIONS

Circuits	Order No.	Dimension	
		A	B
2	53405-0210	7.16 (.282)	3.96 (.156)
3	53405-0310	11.12 (.438)	7.92 (.312)
4	53405-0410	15.08 (.594)	11.88 (.468)
5	53405-0510	19.04 (.750)	15.84 (.624)
6	53405-0610	23.00 (.906)	19.80 (.780)
7	53405-0710	26.96 (1.061)	23.76 (.935)
8	53405-0810	30.92 (1.217)	27.72 (1.091)
9	53405-0910	34.88 (1.373)	31.68 (1.247)

FEATURES AND SPECIFICATIONS

Features and Benefits

- Sizes 2 to 12 circuits
- Other plating options available

Reference Information

Packaging: Bag
 UL File No.: E29179
 CSA File No.: LR19980
 Mates With: 5195-N and 5239-N housings
 Designed In: Millimeters

Electrical

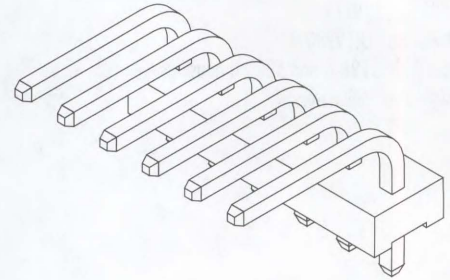
Voltage: 250V
 Current: 7.0A
 Contact Resistance: 10mΩ max.
 Dielectric Withstanding Voltage: 1500V AC/1 min.
 Insulation Resistance: 1000 MΩ min.

Physical

Housing: 6/6 nylon, UL 94V-2
 Contact: Brass, 1.14mm (.045") square
 Plating: Tin
 Operating Temperature: -40 to +105°C

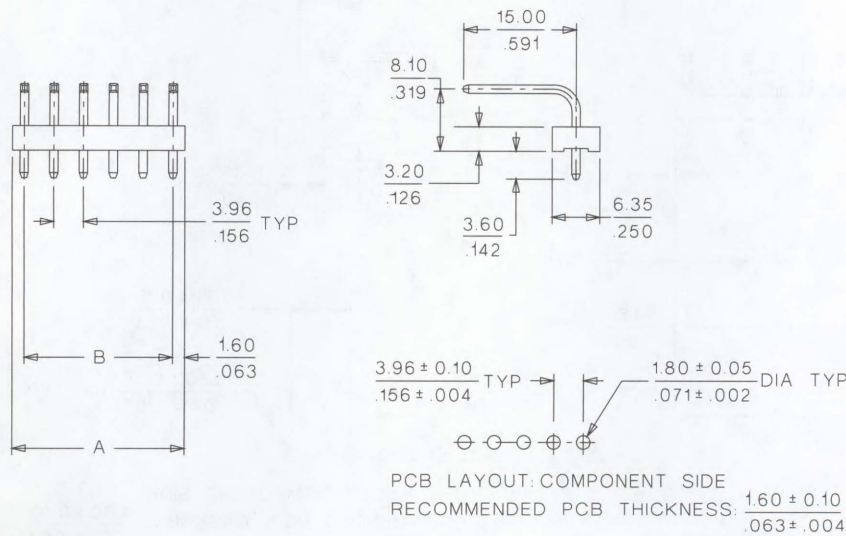
molex® 3.96mm (.156") Pitch Header

5272-NA
Right Angle



D
3.00 to 7.92mm (.118 to .312") Pitch

CATALOG DRAWING (FOR REFERENCE ONLY)



ORDERING INFORMATION AND DIMENSIONS

Circuits	Order No.	Dimension	
		A	B
2	09-66-5022	7.16 (.282)	3.96 (.156)
3	09-66-5032	11.12 (.437)	7.92 (.312)
4	09-66-5042	15.08 (.593)	11.88 (.467)
5	09-66-5052	19.04 (.749)	15.84 (.623)
6	09-66-5062	23.00 (.906)	19.80 (.779)
7	09-66-5072	26.96 (1.061)	23.76 (.935)
8	09-66-5082	30.92 (1.217)	27.72 (1.091)
9	09-66-5092	34.88 (1.371)	31.68 (1.247)
10	09-66-5102	38.84 (1.529)	35.64 (1.403)
11	09-66-5112	42.80 (1.690)	39.60 (1.559)
12	09-66-5122	46.76 (1.840)	43.56 (1.714)

FEATURES AND SPECIFICATIONS

Features and Benefits

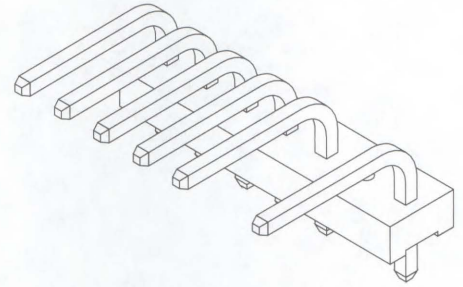
- Sizes 3 to 11 circuits
- Other plating options available

Reference Information

Packaging: Bag
 UL File No.: E29179
 CSA File No.: LR19980
 Mates With: 5196-N and 5265-N housings
 Designed In: Millimeters

molex® 3.96mm (.156") Pitch SPOX™ Header

5276-NA Right Angle



Electrical

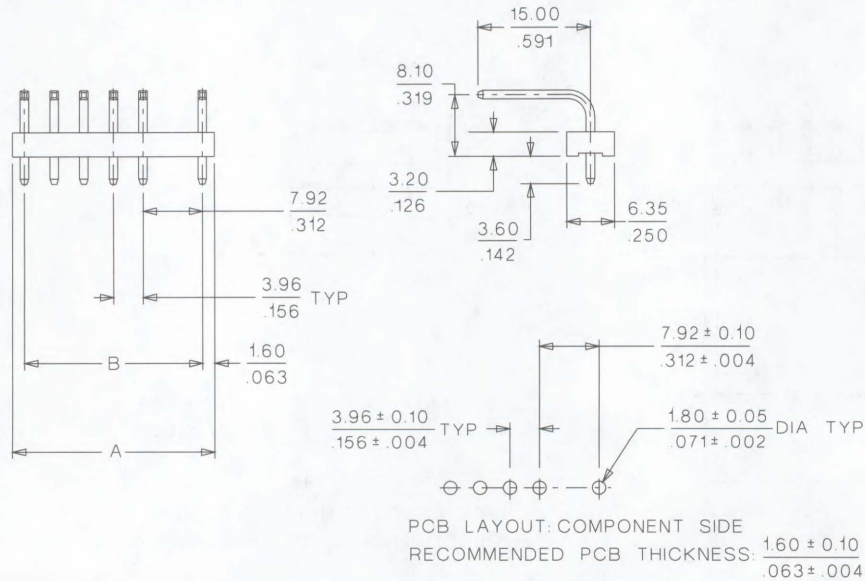
Voltage: 250V
 Current: 7.0A
 Contact Resistance: 10mΩ max.
 Dielectric Withstanding Voltage: 1500V AC/1 min.
 Insulation Resistance: 1000 MΩ min.

Physical

Housing: 6/6 nylon, UL 94V-2
 Contact: Brass, 1.14mm (.045") square
 Plating: Tin
 Operating Temperature: -40 to +105°C

D
 3.00 to 7.92mm (.118 to .312") Pitch

CATALOG DRAWING (FOR REFERENCE ONLY)



ORDERING INFORMATION AND DIMENSIONS

Circuits	Order No.	Dimension	
		A	B
3	09-66-5033	15.08 (.594)	11.88 (.467)
4	09-66-5043	19.04 (.750)	15.84 (.623)
5	09-66-5053	23.00 (.906)	19.80 (.779)
6	09-66-5063	26.96 (1.061)	23.76 (.935)
7	09-66-5073	30.92 (1.217)	27.72 (1.091)
8	09-66-5083	34.88 (1.373)	31.68 (1.247)
9	09-66-5093	38.84 (1.529)	35.64 (1.403)
10	09-66-5103	42.80 (1.685)	39.60 (1.559)
11	09-66-5113	46.76 (1.841)	43.56 (1.714)

FEATURES AND SPECIFICATIONS

Features and Benefits

- Sizes 2 to 6 circuits
- Plating options available (contact Molex)

Reference Information

Packaging: Bag
 UL File No.: E29179
 CSA File No.: LR19980
 Mates With: 5195-N and 5239-N housings
 Designed In: Millimeters

Electrical

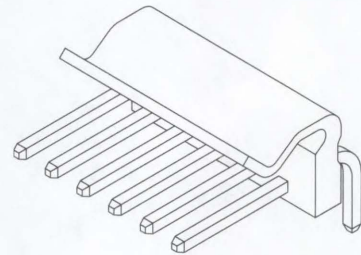
Voltage: 250V
 Current: 7.0A
 Contact Resistance: 10mΩ max.
 Dielectric Withstanding Voltage: 1500V AC/1 min.
 Insulation Resistance: 1000 MΩ min.

Physical

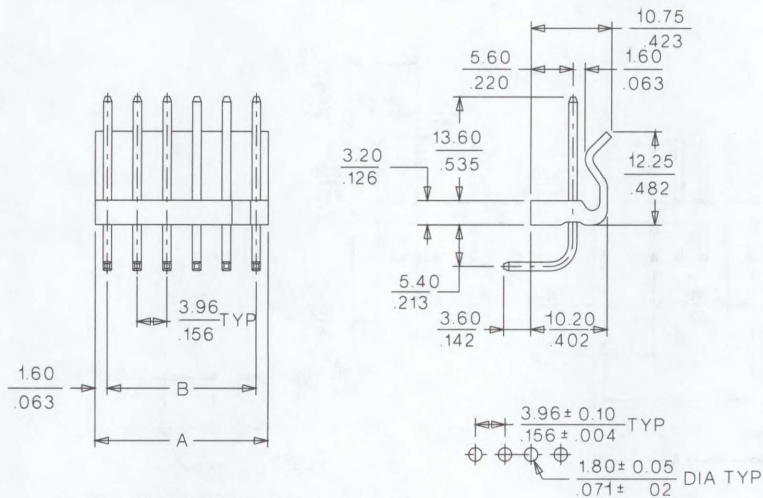
Housing: 6/6 nylon, UL 94V-2
 Contact: Brass, 1.14mm (.045") square
 Plating: Tin
 Operating Temperature: -40 to +105°C

molex® **3.96mm (.156") Pitch**
SPOX™
Header

5274-NA
Right Angle
Friction Lock



CATALOG DRAWING (FOR REFERENCE ONLY)



PCB LAYOUT : COMPONENT SIDE
 RECOMMENDED PCB THICKNESS: 1.60 ± 0.10
 .063 ± .004

ORDERING INFORMATION AND DIMENSIONS

Circuits	Order No.	Dimension	
		A	B
2	09-75-2024	7.16 (.282)	3.96 (.156)
3	09-75-2034	11.12 (.437)	7.92 (.312)
4	09-75-2044	15.08 (.593)	11.88 (.467)
5	09-75-2054	19.04 (.749)	15.84 (.623)
6	09-75-2064	23.00 (.906)	19.80 (.779)

D
 3.00 to 7.92mm (.118 to .312") Pitch

FEATURES AND SPECIFICATIONS

Features and Benefits

- Sizes 2 to 6 circuits
- Void for polarization
- Friction locking wall for secure retention
- Other plating options available

Reference Information

Packaging: Bag
 UL File No.: E29179
 CSA File No.: LR19980
 Mates With: 5196-N and 5265-N housings
 Designed In: Millimeters

Electrical

Voltage: 250V
 Current: 7.0A
 Contact Resistance: 10mΩ max.
 Dielectric Withstanding Voltage: 1500V AC/1 min.
 Insulation Resistance: 1000 MΩ min.

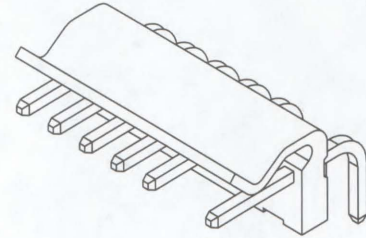
Physical

Housing: 6/6 nylon, UL 94V-2
 Contact: Brass
 Plating: Tin
 Operating Temperature: -40 to +105°C

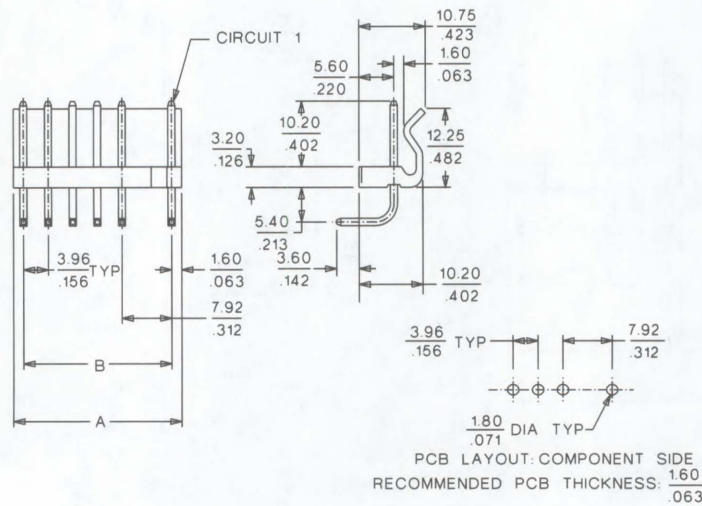
molex® 3.96mm (.156") Pitch SPOX™ Header

5278-NA

Right Angle Friction Lock



CATALOG DRAWING (FOR REFERENCE ONLY)



ORDERING INFORMATION AND DIMENSIONS

Circuits	Order No.	Dimension	
		A	B
2	04-75-2025	11.12 (.438)	7.92 (.312)
3	04-75-2035	15.08 (.594)	11.88 (.468)
4	04-75-2045	19.04 (.750)	15.84 (.624)
5	04-75-2055	23.00 (.906)	19.80 (.780)
6	04-75-2065	26.96 (1.061)	23.76 (.935)

D 3.00 to 7.92mm (.118 to .312") Pitch

FEATURES AND SPECIFICATIONS

Features and Benefits

- Sizes 2 to 12 circuits

Reference Information

Packaging: Bag
 UL File No.: E29179
 CSA File No.: LR19980
 Mates With: 5271-NA headers
 Designed In: Millimeters

Electrical

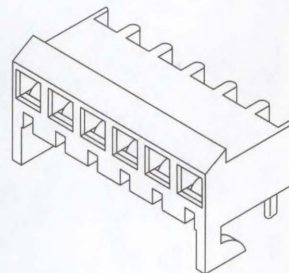
Voltage: 250V
 Current: 5.0A
 Contact Resistance: 10mΩ max.
 Dielectric Withstanding Voltage: 1500V AC/1 min.
 Insulation Resistance: 1000 MΩ min.

Physical

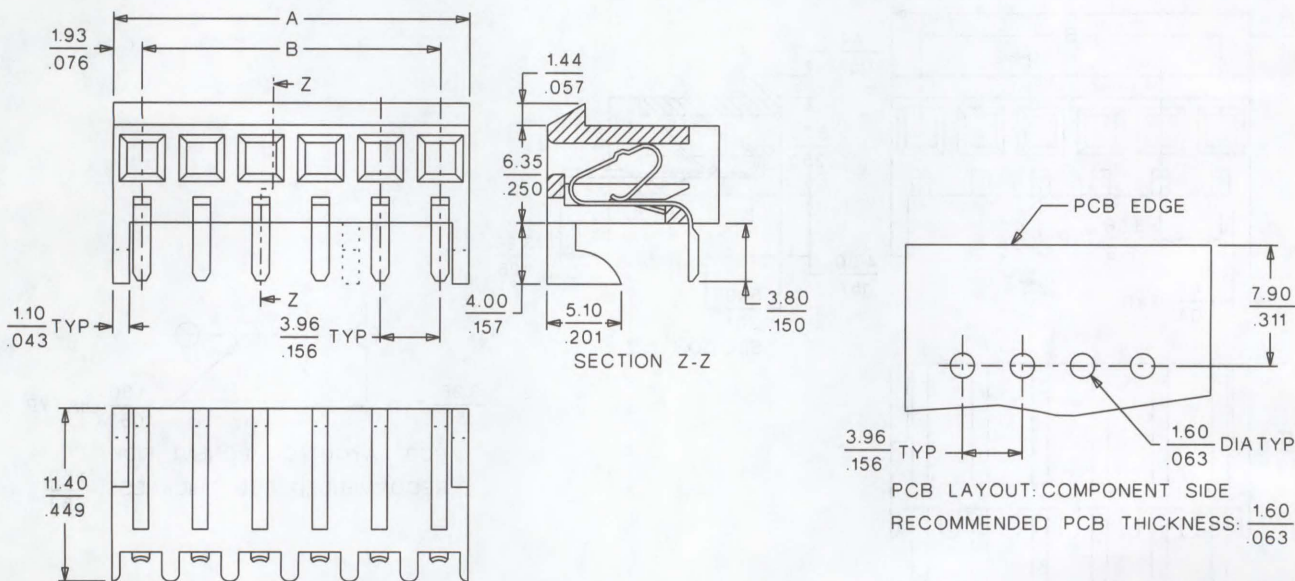
Housing: 6/6 nylon, UL 94V-2
 Contact: Brass
 Plating: Tin
 Operating Temperature: -40 to +105°C

molex® 3.96mm (.156") Pitch PC Board Connector

5145-NAH Right Angle Mount



CATALOG DRAWING (FOR REFERENCE ONLY)



ORDERING INFORMATION AND DIMENSIONS

Circuits	Order No.	Dimension		Additional PCB Edge Guide
		A	B	
2	26-01-1026	7.82 (.308)	3.96 (.156)	
3	26-01-1036	11.78 (.464)	7.92 (.312)	
4	26-01-1046	15.74 (.620)	11.88 (.468)	
5	26-01-1056	19.70 (.775)	15.84 (.624)	
6	26-01-1066	23.66 (.931)	19.80 (.780)	
7	26-01-1076	27.62 (1.087)	23.76 (.935)	
8	26-01-1086	31.58 (1.243)	27.72 (1.091)	Between 4 and 5 Circuits
9	26-01-1096	35.54 (1.399)	31.68 (1.247)	Between 4 and 5 Circuits
10	26-01-1106	39.50 (1.555)	35.64 (1.403)	Between 5 and 6 Circuits
11	26-01-1116	43.52 (1.713)	39.60 (1.559)	Between 5 and 6 Circuits
12	26-01-1126	47.42 (1.870)	43.56 (1.715)	Between 4/5 and 8/9 Circuits

3.00 to 7.92mm (.118 to .312") Pitch

D

FEATURES AND SPECIFICATIONS

Features and Benefits

- Sizes 2 to 12 circuits

Reference Information

Packaging: Bag
 UL File No.: E29179
 CSA File No.: LR19980
 Mates With: 5271-NA headers
 Designed In: Millimeters

Electrical

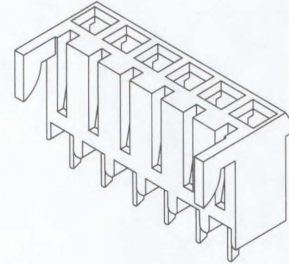
Voltage: 250V
 Current: 5.0A
 Contact Resistance: 10mΩ max.
 Dielectric Withstanding Voltage: 1500V AC/1 min.
 Insulation Resistance: 1000 MΩ min.

Physical

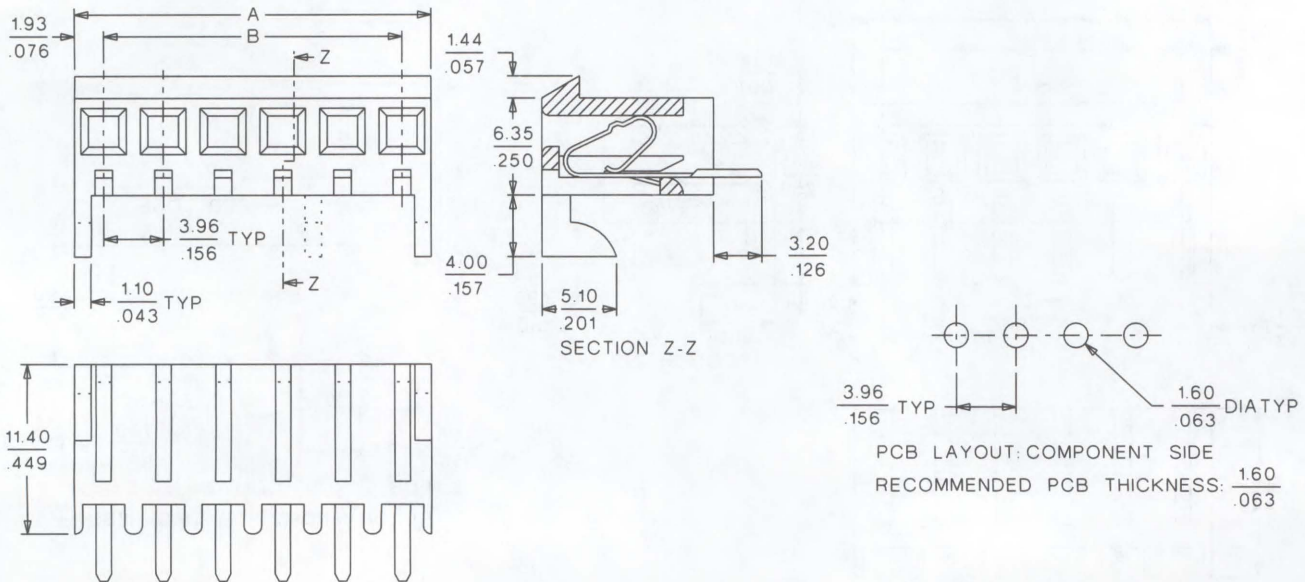
Housing: 6/6 nylon, UL 94V-2
 Contact: Brass
 Plating: Tin
 Operating Temperature: -40 to +105°C

molex® 3.96mm (.156") Pitch PC Board Connector

5145-NCH Top Entry



CATALOG DRAWING (FOR REFERENCE ONLY)



ORDERING INFORMATION AND DIMENSIONS

Circuits	Order No.	Dimension		Additional PCB Edge Guide
		A	B	
2	26-01-1029	7.82 (.308)	3.96 (.156)	
3	26-01-1039	11.78 (.464)	7.92 (.312)	
4	26-01-1049	15.74 (.620)	11.88 (.468)	
5	26-01-1059	19.70 (.775)	15.84 (.624)	
6	26-01-1069	23.66 (.931)	19.80 (.780)	
7	26-01-1079	27.62 (1.087)	23.76 (.935)	
8	26-01-1089	31.58 (1.243)	27.72 (1.091)	Between 4 and 5 Circuits
9	26-01-1099	35.54 (1.399)	31.68 (1.247)	Between 5 and 6 Circuits
10	26-01-1109	39.50 (1.555)	35.64 (1.403)	Between 5 and 6 Circuits
12	26-01-1129	47.42 (1.870)	43.56 (1.715)	Between 4/5 and 8/9 Circuits

3.00 to 7.92mm (.118 to .312") Pitch

D

FEATURES AND SPECIFICATIONS

Features and Benefits

- Sizes 2 to 12 circuits

Reference Information

Packaging: Bag
 UL File No.: E29179
 CSA File No.: LR19980
 Mates With: 41661 headers
 Designed In: Millimeters

Electrical

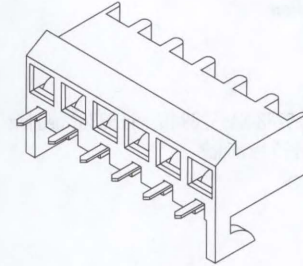
Voltage: 250V
 Current: 5.0A
 Contact Resistance: 10mΩ max.
 Dielectric Withstanding Voltage: 1500V AC/1 min.
 Insulation Resistance: 1000 MΩ min.

Physical

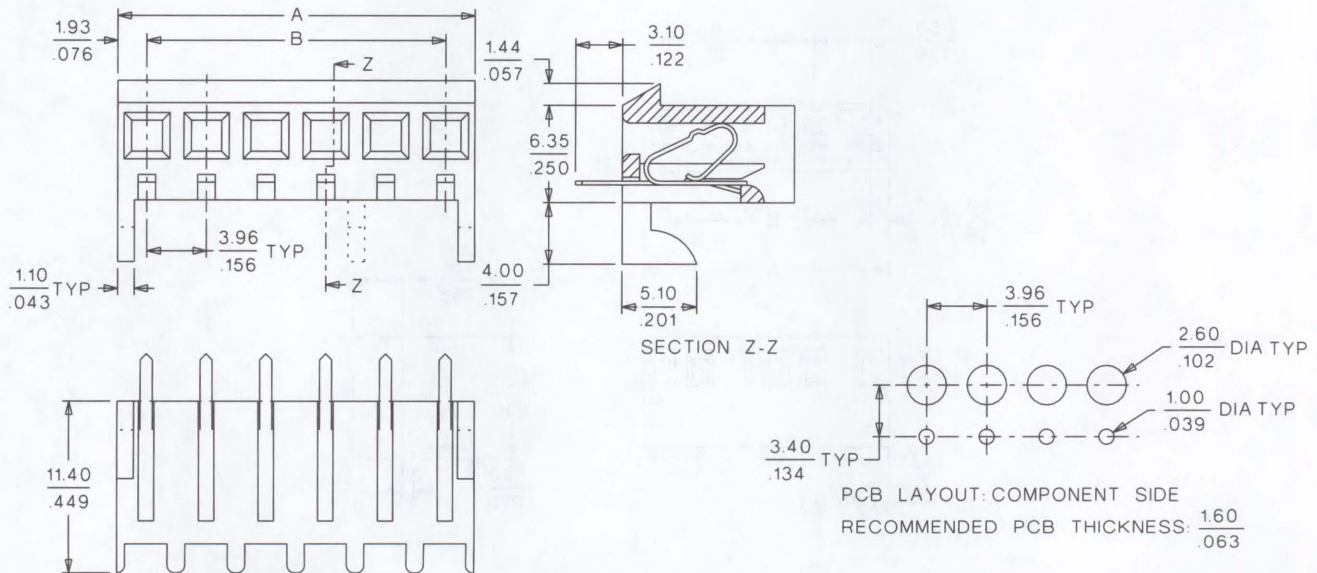
Housing: 6/6 nylon, UL 94V-2
 Contact: Brass
 Plating: Tin
 Operating Temperature: -40 to +105°C

molex® 3.96mm (.156") Pitch
 PC Board Connector

5145-NBH
 Bottom Entry



CATALOG DRAWING (FOR REFERENCE ONLY)



3.00 to 7.92mm (.118 to .312") Pitch

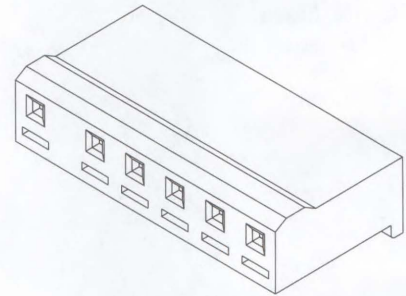
ORDERING INFORMATION AND DIMENSIONS

Circuits	Order No.	Dimension		Additional PCB Edge Guide
		A	B	
2	26-01-1028	7.82 (.308)	3.96 (.156)	
3	26-01-1038	11.78 (.464)	7.92 (.312)	
4	26-01-1048	15.74 (.620)	11.88 (.468)	
5	26-01-1058	19.70 (.775)	15.84 (.624)	
6	26-01-1068	23.66 (.931)	19.80 (.780)	
7	26-01-1078	27.62 (1.087)	23.76 (.935)	
8	26-01-1088	31.58 (1.243)	27.72 (1.091)	Between 4 and 5 Circuits
9	26-01-1098	35.54 (1.399)	31.68 (1.247)	Between 5 and 6 Circuits
10	26-01-1108	39.50 (1.555)	35.64 (1.403)	Between 5 and 6 Circuits
12	26-01-1128	47.42 (1.870)	43.56 (1.715)	Between 4/5 and 8/9 Circuits



5.00mm (.197") Pitch SPOX™ Crimp Terminal Housing

5199-N



FEATURES AND SPECIFICATIONS

Features and Benefits

- Sizes 2 to 6 circuits available
- Polarization through varied center spacing between circuits 1 and 2
- With locking ramp
- Molded pull tab
- Molded-in locking arm for terminal

Reference Information

Packaging: Bag
 UL File No.: E29179
 CSA File No.: LR19980
 Mates With: 5287-NA, 5288-NA, 5289-NA and 53331 headers
 Use With: 5194 and 5225 terminals
 Designed In: Millimeters

Electrical

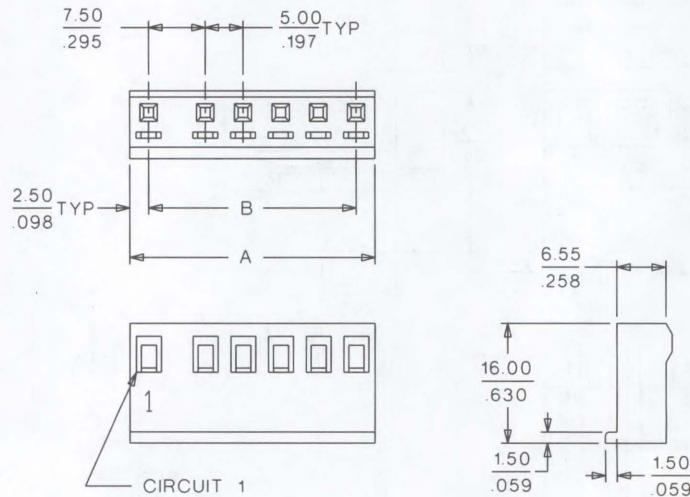
Voltage: 250V
 Current: 5194—7.0A
 5225—4.0A
 Contact Resistance: 10mΩ max.
 Dielectric Withstanding Voltage: 1500V AC/1 min.
 Insulation Resistance: 1000 MΩ min.

Physical

Housing: 6/6 nylon, UL 94V-2
 Operating Temperature: -40 to +105°C

3.00 to 7.92mm (.118 to .312") Pitch

CATALOG DRAWING (FOR REFERENCE ONLY)



ORDERING INFORMATION AND DIMENSIONS

Circuits	Order No.	Dimension	
		A	B
2	10-63-3024	12.50 (.492)	7.50 (.295)
3	10-63-3034	17.50 (.689)	12.50 (.492)
4	10-63-3044	22.50 (.886)	17.50 (.689)
5	10-63-3054	27.50 (1.083)	22.50 (.886)
6	10-63-3064	32.50 (1.280)	27.50 (1.083)

FEATURES AND SPECIFICATIONS

Features and Benefits

- Sizes 2 to 6 circuits
- Polarization through varied center spacing between circuits 1 and 2

Reference Information

Packaging: Bag
 UL File No.: E29179
 CSA File No.: LR19980
 Mates With: 5199-N housings
 Designed In: Millimeters

Electrical

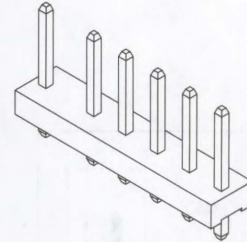
Voltage: 250V
 Current: 7.0A
 Contact Resistance: 10mΩ max.
 Dielectric Withstanding Voltage: 1500V AC/1 min.
 Insulation Resistance: 1000 MΩ min.

Physical

Housing: 6/6 nylon, UL 94V-2
 Contact: Brass, 1.14mm (.045") square
 Plating: Tin
 Operating Temperature: -40 to +105°C

molex® 5.00mm (.197") Pitch
SPOX™
Header

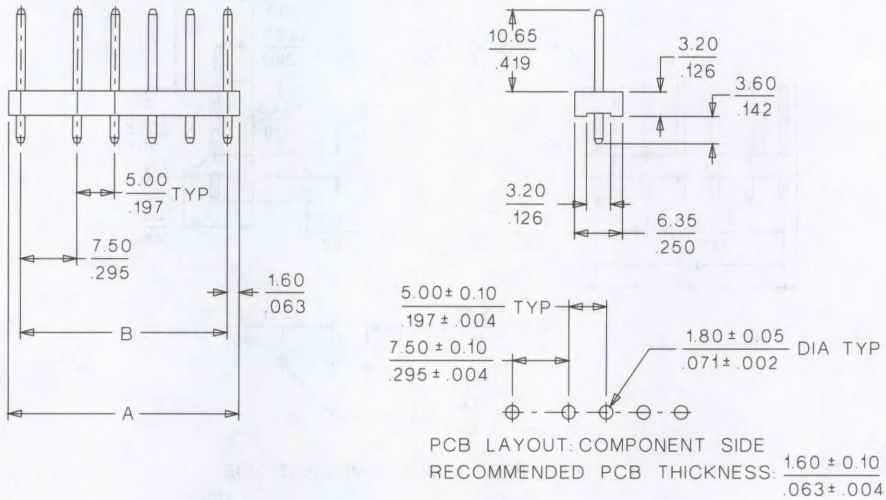
5287-NA
Vertical



D

3.00 to 7.92mm (.118 to .312") Pitch

CATALOG DRAWING (FOR REFERENCE ONLY)



ORDERING INFORMATION AND DIMENSIONS

Circuits	Order No.	Dimension	
		A	B
2	10-63-3023	10.70 (.421)	7.50 (.295)
3	10-63-3033	15.70 (.618)	12.50 (.492)
4	10-63-3043	20.70 (.815)	17.50 (.689)
5	10-63-3053	25.70 (1.012)	22.50 (.886)
6	10-63-3063	30.70 (1.209)	27.50 (1.083)

FEATURES AND SPECIFICATIONS

Features and Benefits

- Sizes 2 to 6 circuits
- Open back wall provides locking and lower insertion force

Reference Information

Product Specification: PS-5199-003
 Packaging: Bag
 Mates With: 5199
 Designed In: Millimeters

Electrical

Voltage: 250V
 Current: 7.0A
 Contact Resistance: 10mΩ max.
 Dielectric Withstanding Voltage: 1500V AC/1 min.
 Insulation Resistance: 1000 MΩ min.

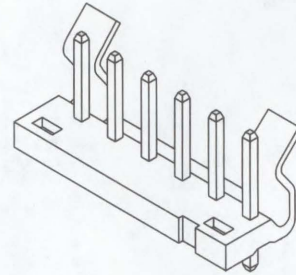
Physical

Housing: Glass-filled PBTP, UL 94V-0
 Contact: Brass
 Plating: Tin
 Operating Temperature: -40 to +105°C

molex® 5.00mm (.197") Pitch
SPOX™
Header

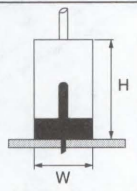
53331

Vertical

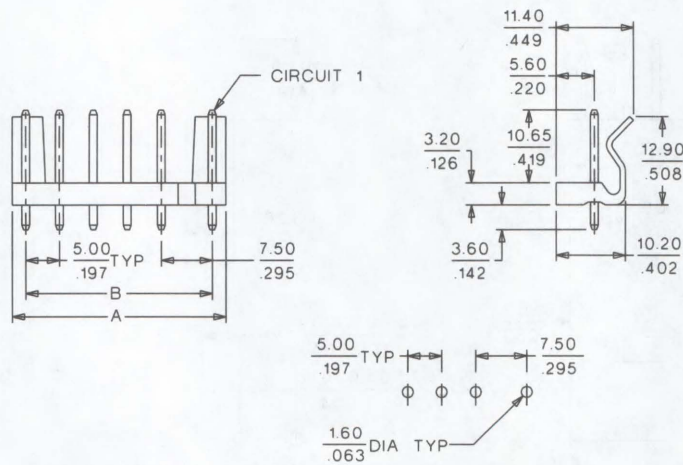


Mating Dimensions

53331/5199/5194 or 5225
 H=19.20mm (.756") W=11.80mm (.465")



CATALOG DRAWING (FOR REFERENCE ONLY)



PCB LAYOUT: COMPONENT SIDE
 RECOMMENDED PCB THICKNESS: 1.60 / .063

ORDERING INFORMATION AND DIMENSIONS

Circuits	Order No.	Dimension	
		A	B
2	53331-0210	11.50 (.453)	7.50 (.295)
3	53331-0310	16.50 (.650)	12.50 (.492)
4	53331-0410	21.50 (.846)	17.50 (.689)
5	53331-0510	26.50 (1.043)	22.50 (.886)
6	53331-0610	31.50 (1.240)	27.50 (1.083)

D

3.00 to 7.92mm (.118 to .312") Pitch

FEATURES AND SPECIFICATIONS

Features and Benefits

- Sizes 2 to 6 circuits
- Locking ramp
- Polarization through varied center spacing between circuits 1 and 2
- Plating options available (contact Molex)

Reference Information

Packaging: Bag
 UL File No.: E29179
 CSA File No.: LR19980
 Mates With: 5199-N housings
 Designed In: Millimeters

Electrical

Voltage: 250V
 Current: 7.0A
 Contact Resistance: 10mΩ max.
 Dielectric Withstanding Voltage: 1500V AC/1 min.
 Insulation Resistance: 1000 MΩ min.

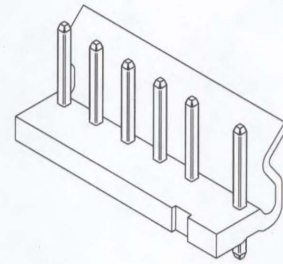
Physical

Housing: 6/6 nylon, UL 94V-2
 Contact: Brass, 1.14mm (.045") square
 Plating: Tin
 Operating Temperature: -40 to +105°C

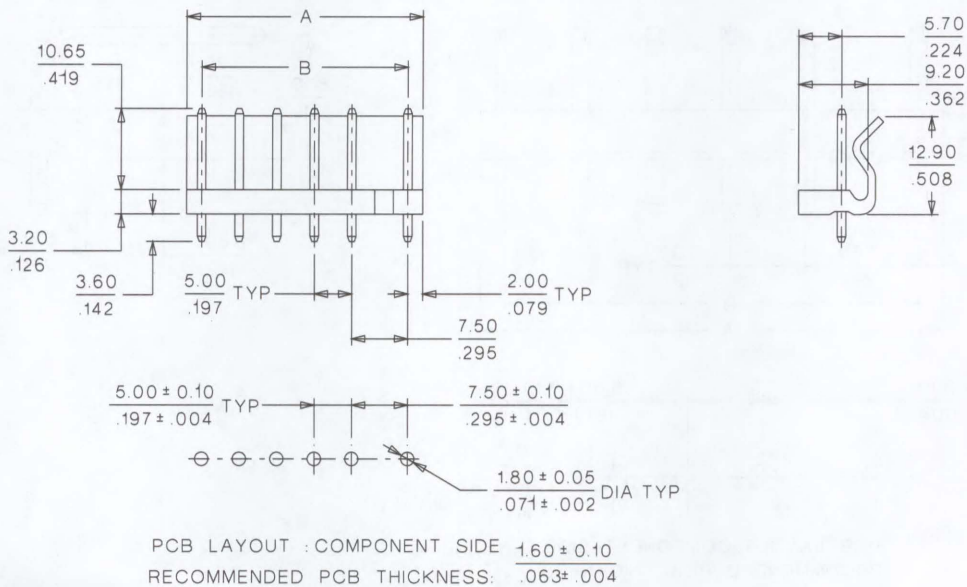
molex® 5.00mm (.197") Pitch
SPOX™
Header

5289-NA

**Vertical
 Friction Lock**



CATALOG DRAWING (FOR REFERENCE ONLY)



ORDERING INFORMATION AND DIMENSIONS

Circuits	Order No.	Dimension	
		A	B
2	10-31-1028	11.50 (.453)	7.50 (.295)
3	10-31-1038	16.50 (.650)	12.50 (.492)
4	10-31-1048	21.50 (.846)	17.50 (.689)
5	10-31-1058	26.50 (1.043)	22.50 (.886)
6	10-31-1068	31.50 (1.240)	27.50 (1.083)

D
3.00 to 7.92mm (.118 to .312") Pitch

FEATURES AND SPECIFICATIONS

Features and Benefits

- Sizes 2 to 6 circuits available
- Polarization through varied center spacing between circuits 1 and 2

Reference Information

Packaging: Bag
 UL File No.: E29179
 CSA File No.: LR19980
 Mates With: 5199-N housings
 Designed In: Millimeters

Electrical

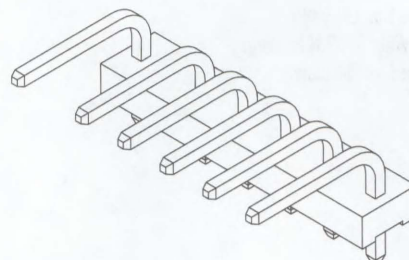
Voltage: 250V
 Current: 7.0A
 Contact Resistance: 10mΩ max.
 Dielectric Withstanding Voltage: 1500V AC/1 min.
 Insulation Resistance: 1000 MΩ min.

Physical

Housing: 6/6 nylon, UL 94V-2
 Contact: Brass, 1.14mm (.045") square
 Plating: Tin
 Operating Temperature: -40 to +105°C

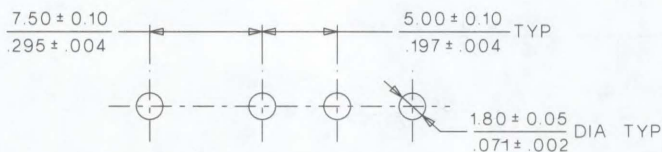
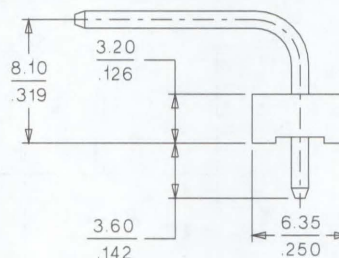
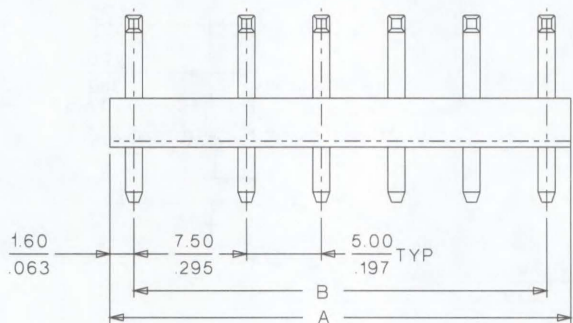
molex® 5.00mm (.197") Pitch
SPOX™
Header

5288-NA
Right Angle



D 3.00 to 7.92mm (.118 to .312") Pitch

CATALOG DRAWING (FOR REFERENCE ONLY)



PCB LAYOUT: COMPONENT SIDE 1.60 ± 0.10
 RECOMMENDED PCB THICKNESS: .063 ± .004

ORDERING INFORMATION AND DIMENSIONS

Circuits	Order No.	Dimension	
		A	B
2	10-68-3021	10.70 (.421)	7.50 (.295)
3	10-68-3031	15.70 (.618)	12.50 (.492)
4	10-68-3041	20.70 (.814)	17.50 (.689)
5	10-68-3051	25.70 (1.012)	22.50 (.886)
6	10-68-3061	30.70 (1.209)	27.50 (1.083)

FEATURES AND SPECIFICATIONS

Reference Information

Packaging: Chain or loose
 Tooling Information: See end of section
 Use With: 5127, 5239, 5258 and 5265 housings
 Designed In: Millimeters

Electrical

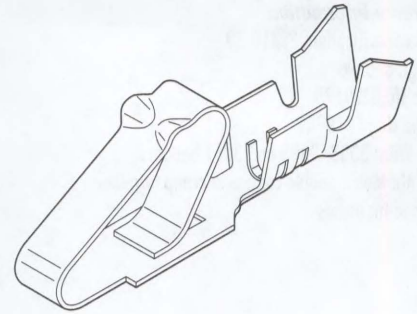
Voltage: 250V
 Current: 5167—7.0A
 5168—4.0A
 Contact Resistance: 10mΩ max.
 Dielectric Withstanding Voltage: 1500V AC/1 min.
 Insulation Resistance: 1000 MΩ min.

Physical

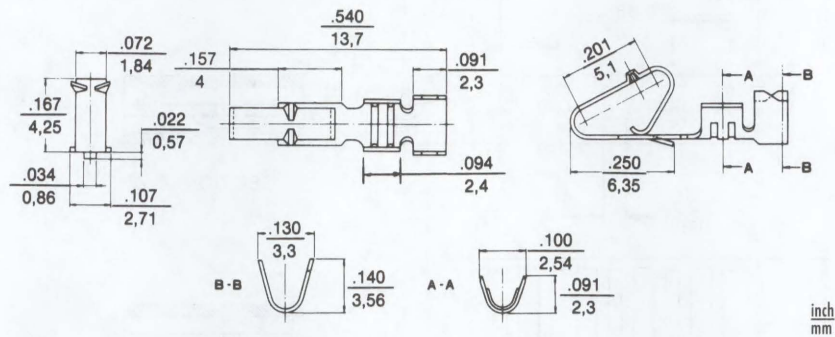
Contact: Brass and Phosphor Bronze
 Plating: Tin
 Operating Temperature: -40 to +105°C

molex® 5.08mm (.200") Pitch Cat Ear Terminal

5167/5168



CATALOG DRAWING (FOR REFERENCE ONLY)



ORDERING INFORMATION AND DIMENSIONS

Order No.	Engineering No.	Wire Accommodation AWG	Insulation Outside Diameter	Form
08-70-0012	5167	18-24	2.50mm max.	Chain
08-70-0013	5167			Loose
08-70-0018	5168	22-28	1.70mm max.	Chain
08-70-0019	5168			Loose

D

3.00 to 7.92mm (.118 to .312") Pitch

FEATURES AND SPECIFICATIONS

Features and Benefits

- Sizes 1 to 20 circuits available
- Accommodates Polarizing Key 2560-1 and Polarizing Peg 2560-2

Reference Information

Product Specification: PSX10-39
 Packaging: Bulk
 UL File No.: E29179
 CSA File No.: LR19980
 Mates With: 3003, 3008 and 3061 headers
 Use With: Molex double cantilever crimp terminals
 Designed In: Inches

Electrical

Voltage: 250V
 Current: 7.0A
 Contact Resistance: 20mΩ max.
 Dielectric Withstanding Voltage: 1500V
 Insulation Resistance: 500K MΩ min.

Mechanical

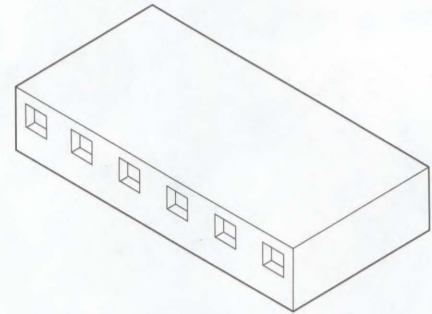
Contact Insertion Force: 4 lb max.
 Contact Retention to Housing: 8 lb min.
 Wire Pull-Out Force: 5 lb min. (depends on AWG)
 Mating Force: 24 oz max.
 Unmating Force: 4 oz min.
 Normal Force: 350g
 Durability: 25 cycles Tin

Physical

Housing: Nylon, UL 94V-2
 Operating Temperature: -40 to +105°C

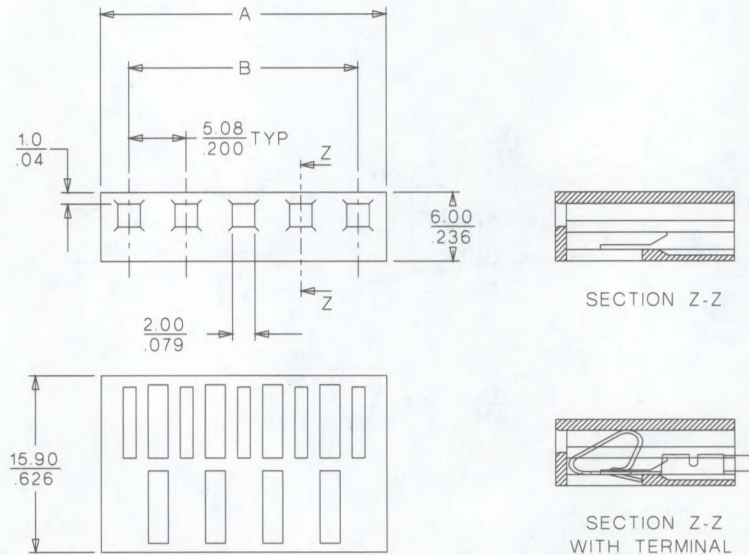
molex® 5.08mm (.200") Pitch KK® Crimp Terminal Housing

3001



3.00 to 7.92mm (.118 to .312") Pitch

CATALOG DRAWING (FOR REFERENCE ONLY)



ORDERING INFORMATION AND DIMENSIONS

Circuits	Order No.	Dimension		Circuits	Order No.	Dimension	
		A	B			A	B
1	10-01-1014	5.08 (.200)		11	10-01-1114	55.88 (2.200)	50.80 (2.000)
2	10-01-1024	10.16 (.400)	5.08 (.200)	12	10-01-1124	60.96 (2.400)	55.88 (2.200)
3	10-01-1034	15.24 (.600)	10.16 (.400)	13	10-01-1134	66.04 (2.600)	60.96 (2.400)
4	10-01-1044	20.32 (.800)	15.24 (.600)	14	10-01-1144	71.12 (2.800)	66.04 (2.600)
5	10-01-1054	25.40 (1.000)	20.32 (.800)	15	10-01-1154	76.20 (3.000)	71.12 (2.800)
6	10-01-1064	30.48 (1.200)	25.40 (1.000)	16	10-01-1164	81.28 (3.200)	76.20 (3.000)
7	10-01-1074	35.56 (1.400)	30.48 (1.200)	17	10-01-1174	86.36 (3.400)	81.28 (3.200)
8	10-01-1084	40.64 (1.600)	35.56 (1.400)	18	10-01-1184	91.44 (3.600)	86.36 (3.400)
9	10-01-1094	45.72 (1.800)	40.64 (1.600)	19	10-01-1194	96.52 (3.800)	91.44 (3.600)
10	10-01-1104	50.80 (2.000)	45.72 (1.800)	20	10-01-1204	101.60 (4.000)	96.52 (3.800)

FEATURES AND SPECIFICATIONS

Features and Benefits

- Sizes 2 to 20 circuits
- Molded-in polarizing peg on side of housing

Reference Information

Product Specification: PSX10-39
 Packaging: Bag
 UL File No.: E29179
 CSA File No.: LR19980
 Mates With: 3003 headers or 1.14mm (.045") staked pins
 Use With: 2478 and 2578 terminals
 Designed In: Inches

Electrical

Voltage: 250V
 Current: 7.0A
 Contact Resistance: 20mΩ max.
 Dielectric Withstanding Voltage: 1500V
 Insulation Resistance: 500K MΩ min.

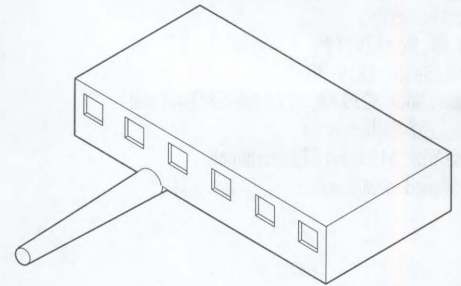
Mechanical

Contact Insertion Force: 4 lb max.
 Contact Retention to Housing: 8 lb min.
 Wire Pull-Out Force: 5 lb min. (depends on AWG)
 Mating Force: 24 oz max.
 Unmating Force: 4 oz min.
 Normal Force: 350g
 Durability: 25 cycles Tin

Physical

Housing: Nylon, UL 94V-2
 Operating Temperature: 0 to +75°C

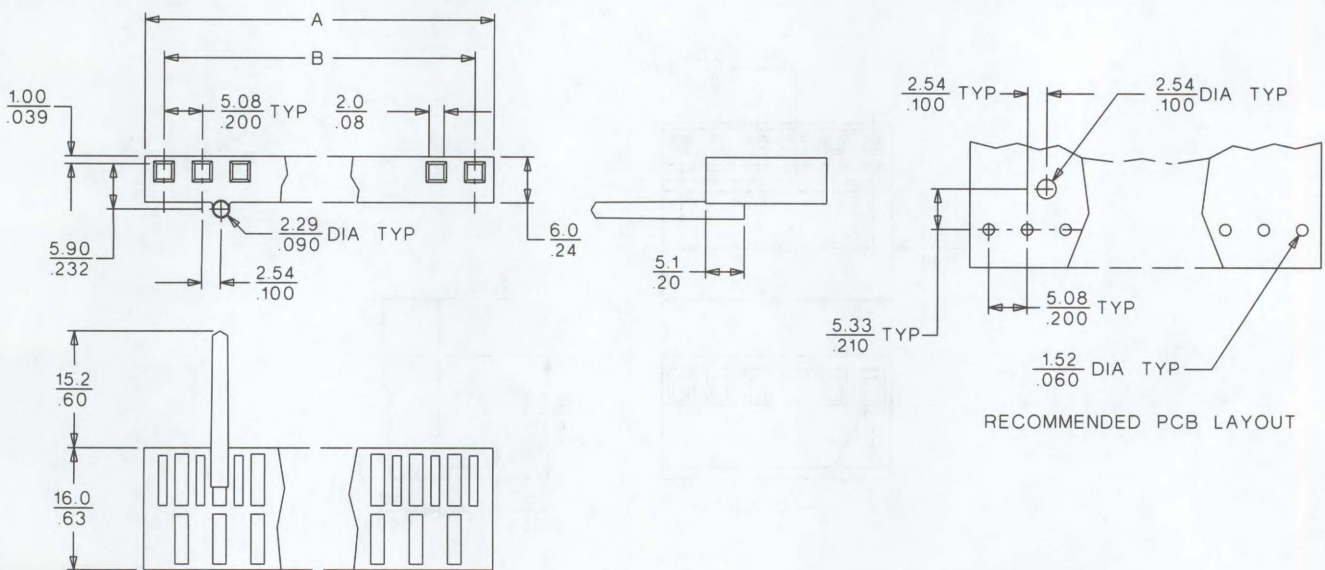
molex® 5.08mm (.200") Pitch KK® Crimp Terminal Housing 3011



D

3.00 to 7.92mm (.118 to .312") Pitch

CATALOG DRAWING (FOR REFERENCE ONLY)



ORDERING INFORMATION AND DIMENSIONS

Circuits	Order No.	Dimension	
		A	B
2 (a)	• 10-13-1024	10.16 (.400)	5.08 (.200)
3 (b)	• 10-13-1034	15.24 (.600)	10.16 (.400)
4 (b)	• 10-13-1044	20.32 (.800)	15.24 (.600)
5 (b)	• 10-13-1055	25.40 (1.000)	20.32 (.800)
6 (b)	• 10-13-1064	30.48 (1.200)	25.40 (1.000)
7 (b)	10-13-1075	35.56 (1.400)	30.48 (1.200)
8 (b)	10-13-1085	40.64 (1.600)	35.56 (1.400)
9 (b)	• 10-13-1094	45.72 (1.800)	40.64 (1.600)
10 (b)	• 10-13-1106	50.80 (2.000)	45.72 (1.800)
11 (b)	• 10-13-1114	55.88 (2.200)	50.80 (2.000)

Circuits	Order No.	Dimension	
		A	B
12 (b)	• 10-13-1125	60.96 (2.400)	55.88 (2.200)
13 (b)	• 10-13-1134	66.04 (2.600)	60.96 (2.400)
14 (b)	10-13-1144	71.12 (2.800)	66.04 (2.600)
15 (b)	10-13-1154	76.20 (3.000)	71.12 (2.800)
16 (b)	10-13-1164	81.28 (3.200)	76.20 (3.000)
17 (b)	10-13-1174	86.36 (3.400)	81.28 (3.200)
18 (b)	10-13-1184	91.44 (3.600)	86.36 (3.400)
19 (b)	10-13-1194	96.52 (3.800)	91.44 (3.600)
20 (b)	10-13-1204	101.60 (4.000)	96.52 (3.800)

• US and European Standard Product, available through Molex franchised distributors
 Polarizing peg between circuits: (a) 1 and 2; (b) 2 and 3

FEATURES AND SPECIFICATIONS

Features and Benefits

- Sizes 2 to 9 circuits
- Molded pull tab
- With locking ramp
- Molded-in locking arm for terminal

Reference Information

Packaging: Bag
 UL File No.: E29179
 CSA File No.: LR19980
 Mates With: 5279-NA, 5280-NA, 5281-NA and 5282-NA headers
 Use With: 5194 and 5225 terminals
 Designed In: Millimeters

Electrical

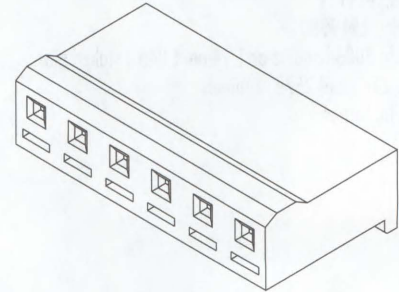
Voltage: 250V
 Current: 5194—7.0A
 5225—4.0A
 Contact Resistance: 10mΩ max.
 Dielectric Withstanding Voltage: 1500V AC/1 min.
 Insulation Resistance: 1000 MΩ min.

Physical

Housing: 6/6 nylon, UL 94V-2
 Operating Temperature: -40 to +105°C

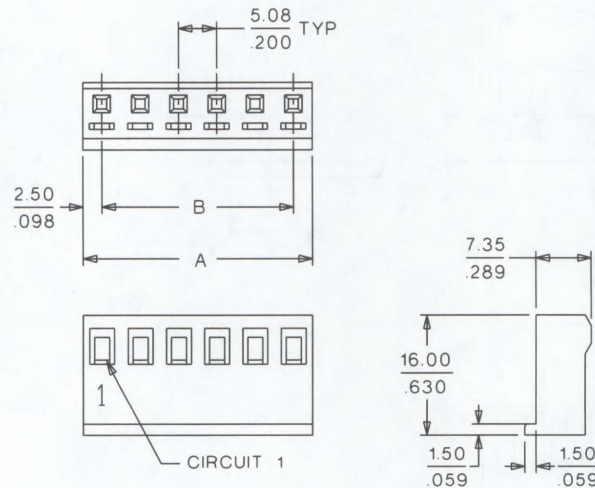
molex® 5.08mm (.200") Pitch SPOX™ Crimp Terminal Housing

5197-N



D 3.00 to 7.92mm (.118 to .312") Pitch

CATALOG DRAWING (FOR REFERENCE ONLY)



ORDERING INFORMATION AND DIMENSIONS

Circuits	Order No.	Dimension	
		A	B
2	10-01-3026	10.08 (.397)	5.08 (.200)
3	10-01-3036	15.16 (.597)	10.16 (.400)
4	10-01-3046	20.24 (.797)	15.24 (.600)
5	10-01-3056	25.32 (.997)	20.32 (.800)
6	10-01-3066	30.40 (1.197)	25.40 (1.000)
7	10-01-3076	35.48 (1.397)	30.48 (1.200)
8	10-01-3086	40.56 (1.597)	35.56 (1.400)
9	10-01-3096	45.64 (1.797)	40.64 (1.600)

FEATURES AND SPECIFICATIONS

Features and Benefits

- Sizes 2 to 9 circuits
- Friction-locking ramp provides secure mating retention
- Pull tab for easy unmating

Reference Information

Product Specification: PS-5258-002
 Packaging: Bag
 UL File No.: E29179
 CSA File No.: LR19980
 Mates With: 5279, 5280, 5281 and 5282
 Use With: 2478, 2578, 5167 and 5168
 Designed In: Millimeters

Electrical

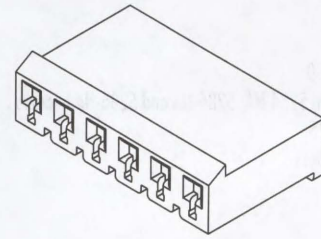
Voltage: 250V
 Current: 7.0A
 Contact Resistance: 10mΩ max.
 Dielectric Withstanding Voltage: 1500V AC/1 min.
 Insulation Resistance: 1000 MΩ min.

Physical

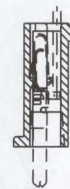
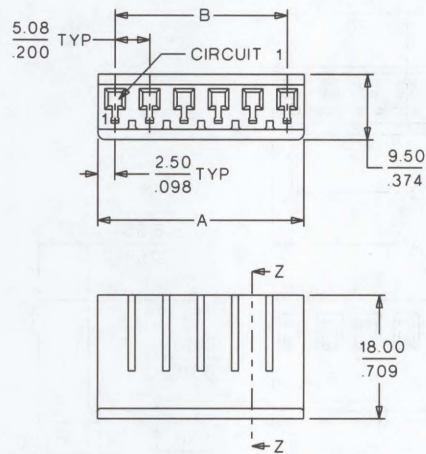
Housing: 6/6 nylon, UL 94V-2
 Operating Temperature: -40 to +105°C

molex® 5.08mm (.200") Pitch Crimp Terminal Housing

5258



CATALOG DRAWING (FOR REFERENCE ONLY)



SECTION Z-Z

ORDERING INFORMATION AND DIMENSIONS

Circuits	Order No.	Dimension	
		A	B
2	10-17-3020	10.08 (.397)	5.08 (.200)
3	10-17-3030	15.16 (.597)	10.16 (.400)
4	10-17-3040	20.24 (.797)	15.24 (.600)
5	10-17-3050	25.32 (.997)	20.32 (.800)
6	10-17-3060	30.40 (1.197)	25.40 (1.000)
7	10-17-3070	35.48 (1.397)	30.48 (1.200)
8	10-17-3080	40.56 (1.597)	35.56 (1.400)
9	10-17-3090	45.64 (1.797)	40.64 (1.600)

D
3.00 to 7.92mm (.118 to .312") Pitch

FEATURES AND SPECIFICATIONS

Features and Benefits

- Sizes 2 to 8 circuits
- Same as 5197 but with second circuit void

Reference Information

Packaging: Bag
 UL File No.: E29179
 CSA File No.: LR19980
 Mates With: 5283-NA, 5284-NA, 5285-NA and 5286-NA headers
 Use With: 5194, 5225
 Designed In: Millimeters

Electrical

Voltage: 250V
 Current: 7.0A
 Contact Resistance: 10mΩ max.
 Dielectric Withstanding Voltage: 1500V AC/1 min.
 Insulation Resistance: 1000 MΩ min.

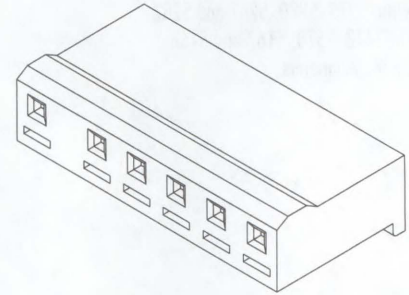
Physical

Housing: 6/6 nylon, UL 94V-2
 Operating Temperature: -40 to +105°C

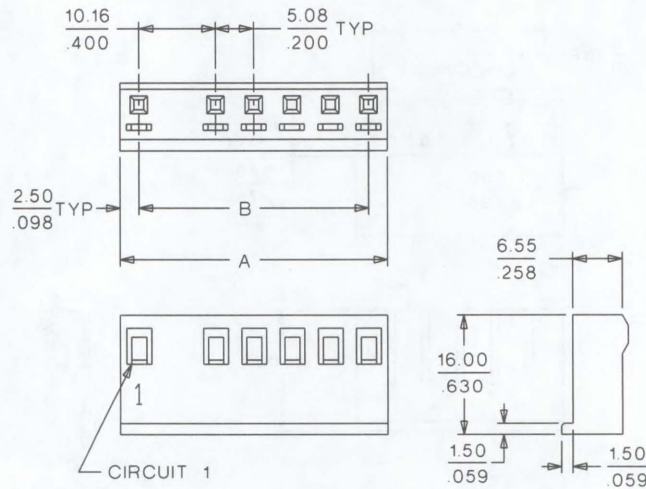


5.08mm (.200") Pitch SPOX™ Crimp Terminal Housing

5198-N With Void



CATALOG DRAWING (FOR REFERENCE ONLY)



ORDERING INFORMATION AND DIMENSIONS

Circuits	Order No.	Dimension	
		A	B
2	10-22-1022	15.16 (.596)	10.16 (.399)
3	10-22-1032	20.24 (.796)	15.24 (.599)
4	10-22-1042	25.32 (.996)	20.32 (.799)
5	10-22-1052	30.40 (1.196)	25.40 (1.000)
6	10-22-1062	35.48 (1.396)	30.48 (1.199)
7	10-22-1072	40.56 (1.596)	35.56 (1.399)
8	10-22-1082	45.64 (1.796)	40.64 (1.599)

D
 3.00 to 7.92mm (.118 to .312") Pitch

FEATURES AND SPECIFICATIONS

Features and Benefits

- Sizes 3 to 8 circuits
- Friction-locking ramp provides secure mating retention

Reference Information

Product Specification: PS-5127-002
 Packaging: Bag
 UL File No.: E29179
 CSA File No.: LR19980
 Mates With: 5283, 5284, 5285 and 5286
 Use With: 2478, 2578, 5167 and 5168
 Designed In: Millimeters

Electrical

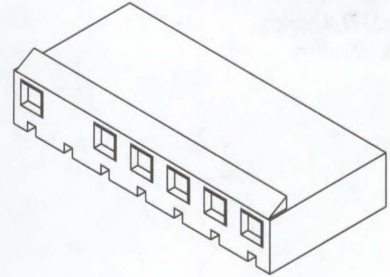
Voltage: 250V
 Current: 7.0A
 Contact Resistance: 10mΩ max.
 Dielectric Withstanding Voltage: 1500V AC/1 min.
 Insulation Resistance: 1000 MΩ min.

Physical

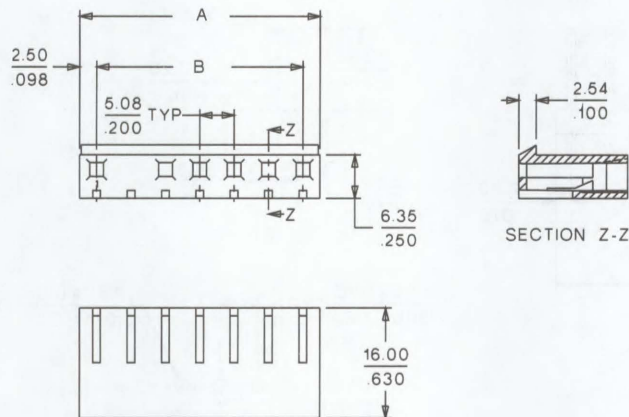
Housing: 6/6 nylon, UL 94V-2
 Operating Temperature: -40 to +105°C

molex® 5.08mm (.200") Pitch Crimp Terminal Housing

5127 With Void



CATALOG DRAWING (FOR REFERENCE ONLY)



D
3.00 to 7.92mm (.118 to .312") Pitch

ORDERING INFORMATION AND DIMENSIONS

Circuits	Order No.	Dimension	
		A	B
3	10-01-5034	20.24 (.797)	15.24 (.600)
4	10-01-5044	25.32 (.997)	20.32 (.800)
5	10-01-5054	30.40 (1.197)	25.40 (1.000)
6	10-01-5064	35.48 (1.397)	30.48 (1.200)
7	10-01-5074	40.56 (1.597)	35.56 (1.400)
8	10-01-5084	45.64 (1.797)	40.64 (1.600)

FEATURES AND SPECIFICATIONS

Features and Benefits

- Sizes 2 to 9 circuits
- Plating options available (contact Molex)

Reference Information

Packaging: Bag
 UL File No.: E29179
 CSA File No.: LR19980
 Mates With: 5197-N housing
 Designed In: Millimeters

Electrical

Voltage: 250V
 Current: 7.0A
 Contact Resistance: 10mΩ max.
 Dielectric Withstanding Voltage: 1500V AC/1 min.
 Insulation Resistance: 1000 MΩ min.

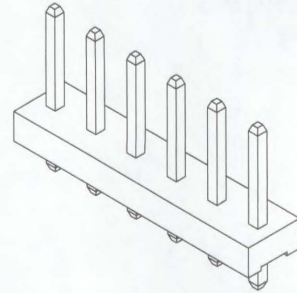
Physical

Housing: 6/6 nylon, UL 94V-2
 Contact: Brass, 1.14mm (.045") square
 Plating: Tin
 Operating Temperature: -40 to +105°C

molex® 5.08mm (.200") Pitch SPOX™ Header

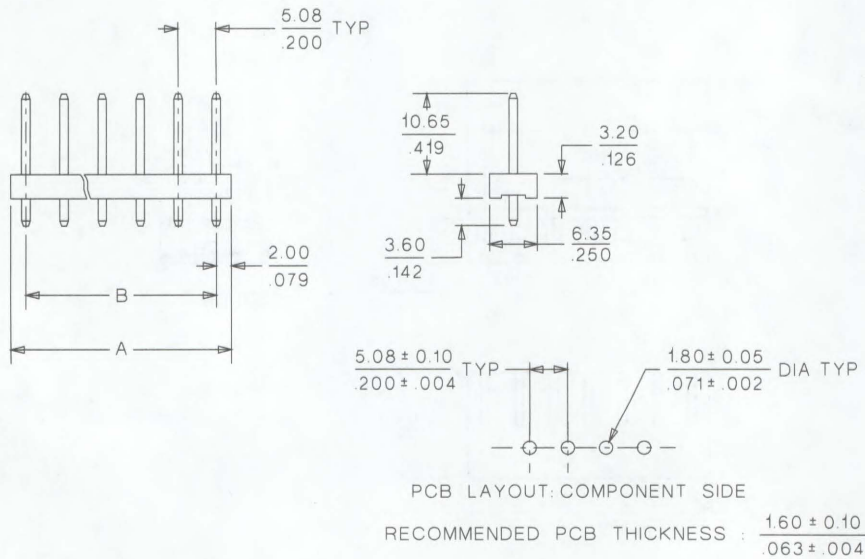
5279-NA

Vertical



D
 3.00 to 7.92mm (.118 to .312") Pitch

CATALOG DRAWING (FOR REFERENCE ONLY)



ORDERING INFORMATION AND DIMENSIONS

Circuits	Order No.	Dimension	
		A	B
2	10-02-1027	9.08 (.357)	5.08 (.200)
3	10-02-1037	14.16 (.557)	10.16 (.400)
4	10-02-1047	19.24 (.757)	15.24 (.600)
5	10-02-1057	24.32 (.957)	20.32 (.800)
6	10-02-1067	29.40 (1.157)	25.40 (1.000)
7	10-02-1077	34.48 (1.357)	30.48 (1.200)
8	10-02-1087	39.56 (1.557)	35.56 (1.400)
9	10-02-1097	44.64 (1.757)	40.64 (1.600)

FEATURES AND SPECIFICATIONS

Features and Benefits

- Sizes 3 to 6 circuits

Reference Information

Packaging: Bulk
 Mates With: 2767-NBH
 Designed In: Millimeters

Electrical

Voltage: 250V
 Current: 7.0A
 Contact Resistance: 10mΩ max.
 Dielectric Withstanding Voltage: 1500V AC/1 min.
 Insulation Resistance: 1000 MΩ min.

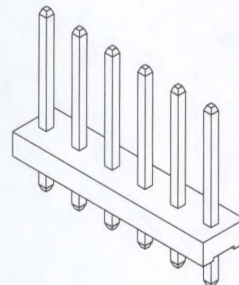
Physical

Housing: 6/6 nylon, UL 94V-2
 Contact: Brass, 1.14mm (.045") square
 Plating: Tin
 Operating Temperature: -40 to +105°C

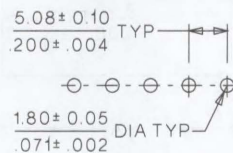
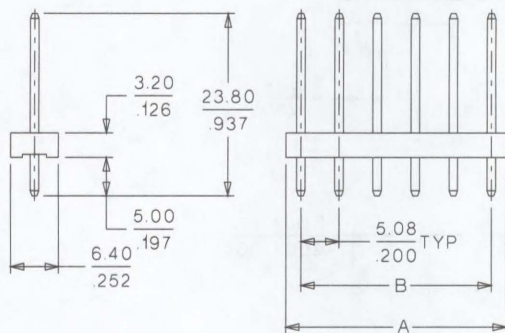
molex 5.08mm (.200") Pitch Header

5077-NC

**Vertical
 Square Pin**



CATALOG DRAWING (FOR REFERENCE ONLY)



PCB LAYOUT: COMPONENT SIDE

RECOMMENDED PCB THICKNESS: $\frac{1.60 \pm 0.10}{.063 \pm .004}$

ORDERING INFORMATION AND DIMENSIONS

Circuits	Order No.	Dimension	
		A	B
3	10-02-4034	14.16 (.557)	10.16 (.400)
4	10-02-4044	19.24 (.757)	15.24 (.600)
5	10-02-4054	24.32 (.957)	20.32 (.800)
6	10-02-4064	29.40 (1.157)	25.40 (1.000)

D
 3.00 to 7.92mm (.118 to .312") Pitch

FEATURES AND SPECIFICATIONS

Features and Benefits

- Sizes 3 to 8 circuits
- Same as 5279 but with second pin void
- Other plating options available

Reference Information

Packaging: Bag
 UL File No.: E29179
 CSA File No.: LR19980
 Mates With: 5198-NA housings
 Designed In: Millimeters

Electrical

Voltage: 250V
 Current: 7.0A
 Contact Resistance: 10mΩ max.
 Dielectric Withstanding Voltage: 1500V AC/1 min.
 Insulation Resistance: 1000 MΩ min.

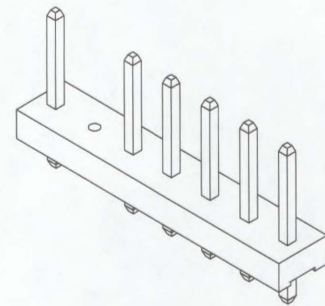
Physical

Housing: 6/6 nylon, UL 94V-2
 Contact: Brass, 1.14mm (.045") square
 Plating: Tin
 Operating Temperature: -40 to +105°C

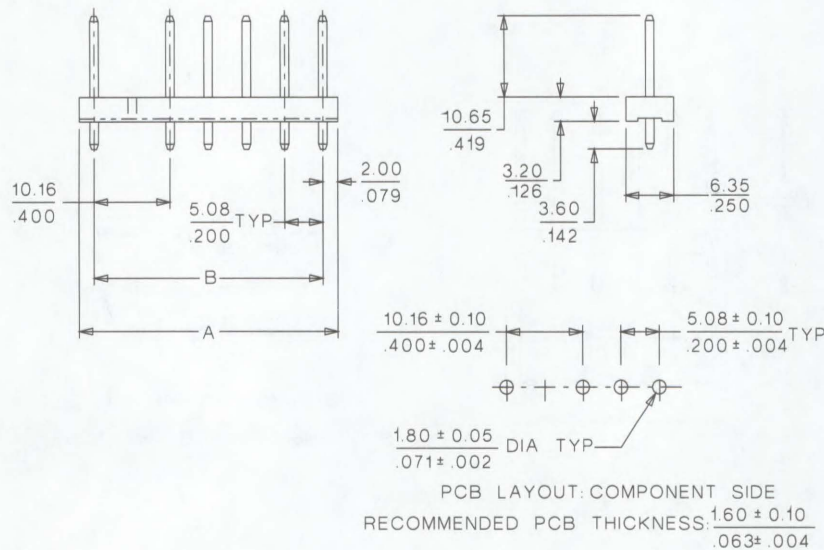
molex® 5.08mm (.200") Pitch SPOX™ Header

5283-NA

Vertical With Void



CATALOG DRAWING (FOR REFERENCE ONLY)



ORDERING INFORMATION AND DIMENSIONS

Circuits	Order No.	Dimension	
		A	B
3	10-63-1033	19.24 (.757)	15.24 (.599)
4	10-63-1043	24.32 (.957)	20.32 (.799)
5	10-63-1053	29.40 (1.157)	25.40 (1.000)
6	10-63-1063	34.48 (1.357)	30.48 (1.199)
7	10-63-1073	39.56 (1.557)	35.56 (1.399)
8	10-63-1083	44.64 (1.757)	40.64 (1.599)

3.00 to 7.92mm (.118 to .312") Pitch

D

FEATURES AND SPECIFICATIONS

Features and Benefits

- Sizes 2 to 9 circuits
- Other plating options available

Reference Information

Packaging: Bag
 UL File No.: E29179
 CSA File No.: LR19980
 Mates With: 5197-N housing
 Designed In: Millimeters

Electrical

Voltage: 250V
 Current: 7.0A
 Contact Resistance: 10mΩ max.
 Dielectric Withstanding Voltage: 1500V AC/1 min.
 Insulation Resistance: 1000 MΩ min.

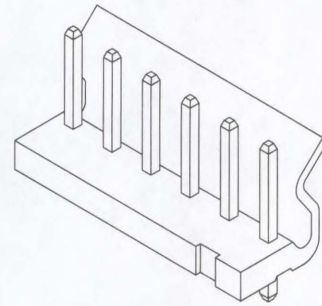
Physical

Housing: 6/6 nylon, UL 94V-2
 Contact: Brass, 1.14mm (.045") square
 Plating: Tin
 Operating Temperature: -40 to +105°C

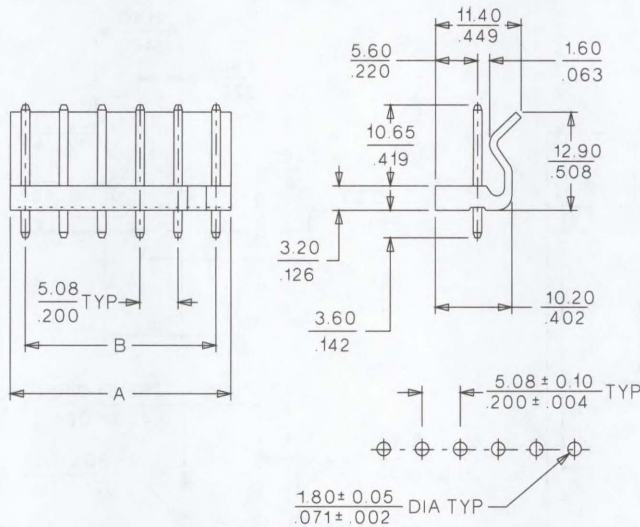
molex® 5.08mm (.200") Pitch
SPOX™
Header

5281-NA

**Vertical
 Friction Lock**



CATALOG DRAWING (FOR REFERENCE ONLY)



PCB LAYOUT: COMPONENT SIDE
 RECOMMENDED PCB THICKNESS: 1.60 ± 0.10 / .063 ± .004

ORDERING INFORMATION AND DIMENSIONS

Circuits	Order No.	Dimension	
		A	B
2	10-32-1021	9.08 (.357)	5.08 (.199)
3	10-32-1031	14.16 (.557)	10.16 (.399)
4	10-32-1041	19.24 (.757)	15.24 (.599)
5	10-32-1051	24.32 (.957)	20.32 (.799)
6	10-32-1061	29.40 (1.157)	25.40 (1.000)
7	10-32-1071	34.48 (1.357)	30.48 (1.199)
8	10-32-1081	39.56 (1.557)	35.56 (1.399)
9	10-32-1091	44.64 (1.757)	40.64 (1.599)

D

3.00 to 7.92mm (.118 to .312") Pitch

FEATURES AND SPECIFICATIONS

Features and Benefits

- Sizes 2 to 8 circuits
- Second pin void
- Other plating options available

Reference Information

Packaging: Bag
 UL File No.: E29179
 CSA File No.: LR19980
 Mates With: 5198-N housing
 Designed In: Millimeters

Electrical

Voltage: 250V
 Current: 7.0A
 Contact Resistance: 10mΩ max.
 Dielectric Withstanding Voltage: 1500V AC/1 min.
 Insulation Resistance: 1000 MΩ min.

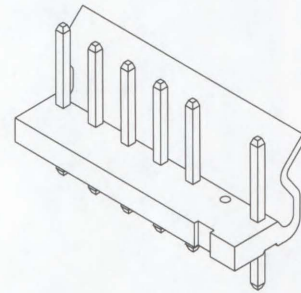
Physical

Housing: 6/6 nylon, UL 94V-2
 Housing: Brass, 1.14mm (.045") square
 Plating: Tin
 Operating Temperature: -40 to +105°C

molex® 5.08mm (.200") Pitch SPOX™ Header

5285-NA

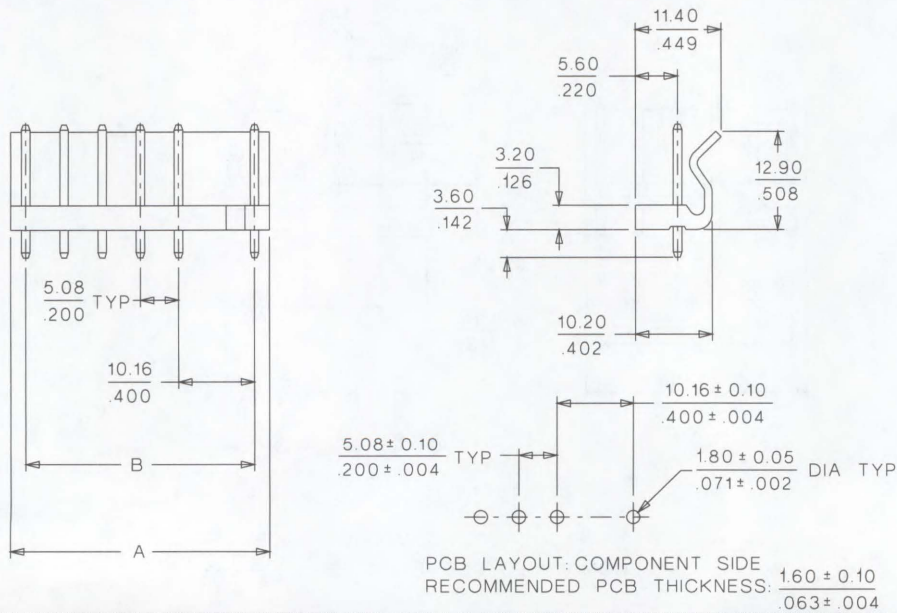
Vertical, Friction Lock With Void



3.00 to 7.92mm (.118 to .312") Pitch

D

CATALOG DRAWING (FOR REFERENCE ONLY)



ORDERING INFORMATION AND DIMENSIONS

Circuits	Order No.	Dimension	
		A	B
2	10-63-1029	14.16 (.557)	10.16 (.399)
3	10-63-1039	19.24 (.757)	15.24 (.599)
4	10-63-1049	24.32 (.957)	20.32 (.799)
5	10-63-1059	29.40 (1.157)	25.40 (1.000)
6	10-63-1069	34.48 (1.357)	30.48 (1.199)
7	10-63-1079	39.56 (1.557)	35.56 (1.399)
8	10-63-1089	44.64 (1.757)	40.64 (1.599)

FEATURES AND SPECIFICATIONS

Features and Benefits

- Sizes 2 to 15 circuits

Reference Information

Product Specification: PSX10-39
 Packaging: Bulk
 UL File No.: E29179SC
 CSA File No.: LR19980
 Mates With: 3001
 Designed In: Inches

Electrical

Voltage: 250V
 Current: 7.0A
 Contact Resistance: 20mΩ max.
 Dielectric Withstanding Voltage: 1500V
 Insulation Resistance: 500K MΩ min.

Mechanical

Mating Force: 24 oz max.
 Unmating Force: 4 oz min.
 Normal Force: 350g
 Durability: 25 cycles Tin

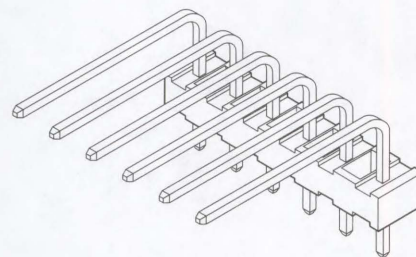
Physical

Housing: Nylon, UL 94V-2
 Contact: Brass, 1.14mm (.045") square
 Plating: 5μm Tin and 0.51μm Gold
 Operating Temperature: -40 to +105°C

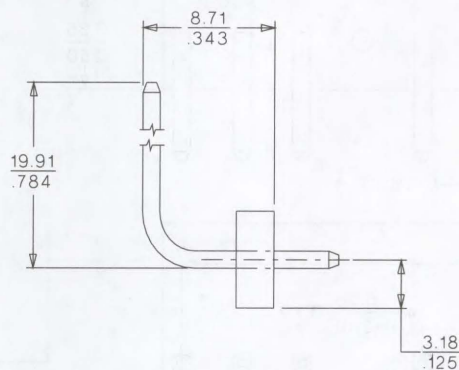
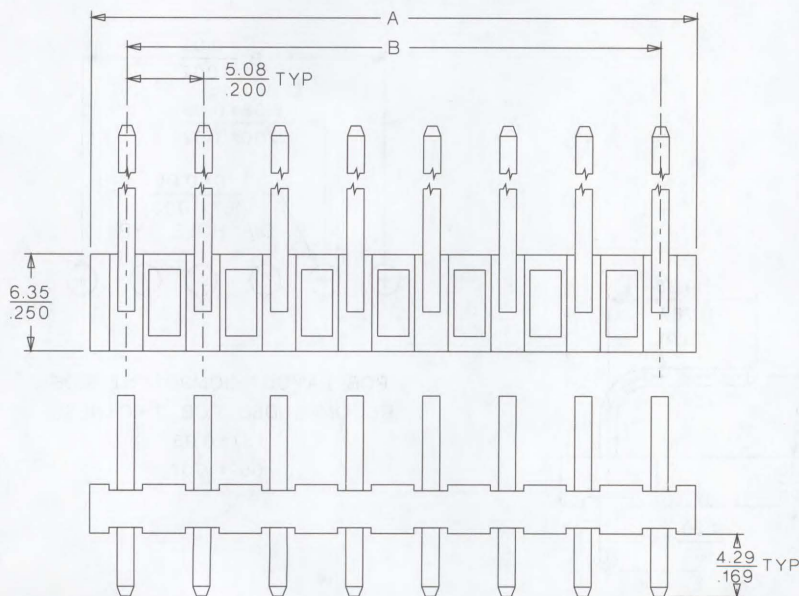
molex® 5.08mm (.200") Pitch
KK®
Header

3061

**Right Angle
 Square Pin**



CATALOG DRAWING (FOR REFERENCE ONLY)



ORDERING INFORMATION AND DIMENSIONS

Circuits	Order No.		Dimension	
	Tin	Gold	A	B
2	10-06-1025	38-00-2012	9.91 (.390)	5.08 (.200)
3	10-06-1035	38-00-2013	14.99 (.590)	10.16 (.400)
4	10-06-1045	38-00-2014	20.07 (.790)	15.24 (.600)
5	10-06-1055	38-00-2015	25.15 (.990)	20.32 (.800)
6	10-06-1065	38-00-2016	30.23 (1.190)	25.40 (1.000)
7	10-06-1075	38-00-2017	35.31 (1.390)	30.48 (1.200)
8	10-06-1085	38-00-2018	40.39 (1.590)	35.56 (1.400)
9	10-06-1095	38-00-2019	45.47 (1.790)	40.64 (1.600)
10	10-06-1105	38-00-2020	50.55 (1.990)	45.72 (1.800)
11	10-06-1115	38-00-2021	55.63 (2.190)	50.80 (2.000)
12	10-06-1125	38-00-2022	60.71 (2.390)	55.88 (2.200)
13	10-06-1135	38-00-2023	65.79 (2.590)	60.96 (2.400)
14	10-06-1145	38-00-2024	70.89 (2.790)	66.04 (2.600)
15	10-06-1155	38-00-2025	75.95 (2.990)	71.12 (2.800)

D
 3.00 to 7.92mm (.118 to .312") Pitch

FEATURES AND SPECIFICATIONS

Features and Benefits

- Sizes 2 to 15 circuits
- Voided circuits available (contact Molex)

Reference Information

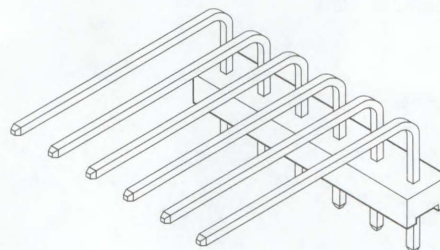
Product Specification: PS-08-50
 Packaging: Bag
 UL File No.: E29179
 CSA File No.: LR19980
 Mates With: 3001
 Designed In: Millimeters or Inches

Physical

Housing: White nylon, UL 94V-2
 Contact: Brass, 1.14mm (.045") square
 Plating: Tin or Gold

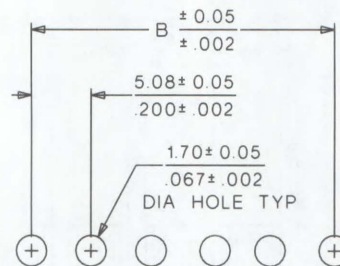
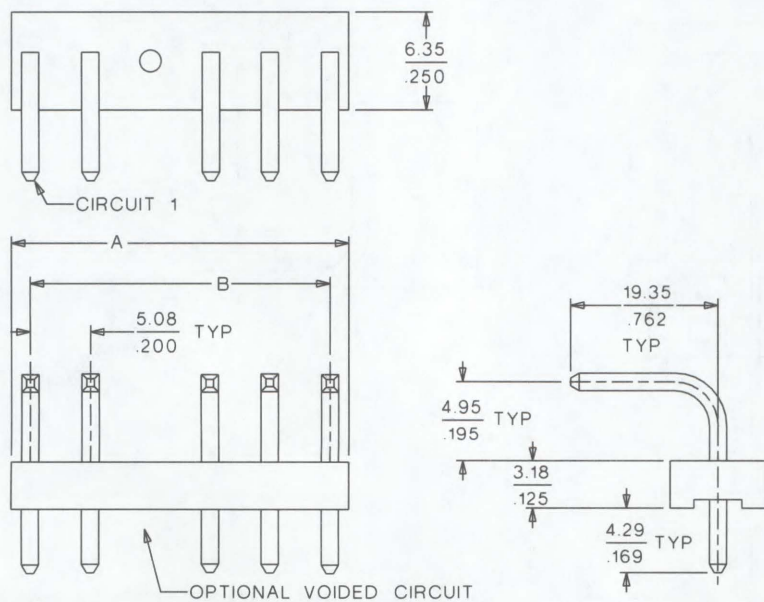
molex® 5.08mm (.200") Pitch
KK®
Solid Header

2673
Right Angle



D
 3.00 to 7.92mm (.118 to .312") Pitch

CATALOG DRAWING (FOR REFERENCE ONLY)



PCB LAYOUT: COMPONENT SIDE
 RECOMMENDED PCB THICKNESS:
 1.57 ± 0.05
 .062 ± .007

ORDERING INFORMATION AND DIMENSIONS

Circuits	Order No.	Dimension	
		A	B
2	10-06-1021	8.97 (.353)	5.08 (.200)
3	10-06-1031	14.05 (.553)	10.16 (.400)
4	10-06-1041	19.13 (.753)	15.24 (.600)
5	10-06-1051	24.21 (.953)	20.32 (.800)
6	10-06-1061	29.29 (1.153)	25.40 (1.000)
7	10-06-1071	34.37 (1.353)	30.48 (1.200)
8	10-06-1081	39.45 (1.553)	35.56 (1.400)
9	10-06-1091	44.53 (1.753)	40.64 (1.600)
10	10-06-1101	49.61 (1.953)	45.72 (1.800)
11	10-06-1111	54.69 (2.153)	50.80 (2.000)
12	10-06-1121	59.77 (2.353)	55.88 (2.200)
13	10-06-1131	64.85 (2.553)	60.96 (2.400)
14	10-06-1141	69.93 (2.753)	66.04 (2.600)
15	10-06-1151	75.01 (2.953)	71.12 (2.800)

FEATURES AND SPECIFICATIONS

Features and Benefits

- Sizes 2 to 9 circuits

Reference Information

Packaging: Bag
 UL File No.: E29179
 CSA File No.: LR19980
 Mates With: 5197-N housing
 Designed In: Millimeters

Electrical

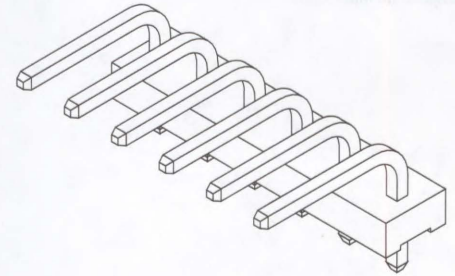
Voltage: 250V
 Current: 7.0A
 Contact Resistance: 10mΩ max.
 Dielectric Withstanding Voltage: 1500V AC/1 min.
 Insulation Resistance: 1000 MΩ min.

Physical

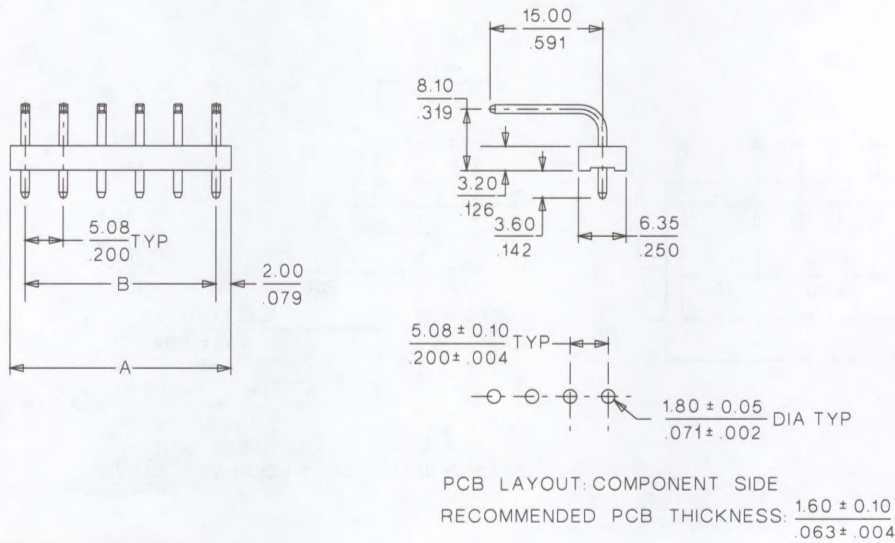
Housing: 6/6 nylon, UL 94V-2
 Contact: Brass, 1.14mm (.045") square
 Plating: Tin
 Operating Temperature: -40 to +105°C

molex® 5.08mm (.200") Pitch
SPOX™
Header

5280-NA
Right Angle



CATALOG DRAWING (FOR REFERENCE ONLY)



3.00 to 7.92mm (.118 to .312") Pitch

ORDERING INFORMATION AND DIMENSIONS

Circuits	Order No.	Dimension	
		A	B
2	10-33-1021	9.08 (.357)	5.08 (.199)
3	10-33-1031	14.16 (.557)	10.16 (.399)
4	10-33-1041	19.24 (.757)	15.24 (.599)
5	10-33-1051	24.32 (.957)	20.32 (.799)
6	10-33-1061	29.40 (1.157)	25.40 (1.000)
7	10-33-1071	34.48 (1.357)	30.48 (1.199)
8	10-33-1081	39.56 (1.557)	35.56 (1.399)
9	10-33-1091	44.64 (1.757)	40.64 (1.599)

FEATURES AND SPECIFICATIONS

Features and Benefits

- Sizes 3 to 8 circuits
- Second pin void
- Other plating options available

Reference Information

Packaging: Bag
 UL File No.: E29179
 CSA File No.: LR19980
 Mates With: 5198-N housing
 Designed In: Millimeters

Electrical

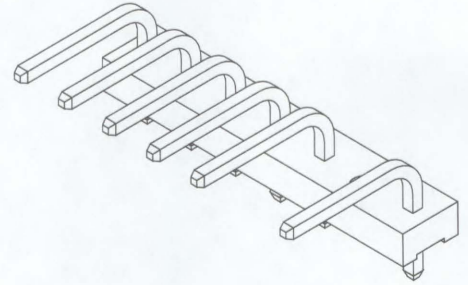
Voltage: 250V
 Current: 7.0A
 Contact Resistance: 10mΩ max.
 Dielectric Withstanding Voltage: 1500V AC/1 min.
 Insulation Resistance: 1000 MΩ min.

Physical

Housing: 6/6 nylon, UL 94V-2
 Contact: Brass, 1.14mm (.045") square
 Plating: Tin
 Operating Temperature: -40 to +105°C

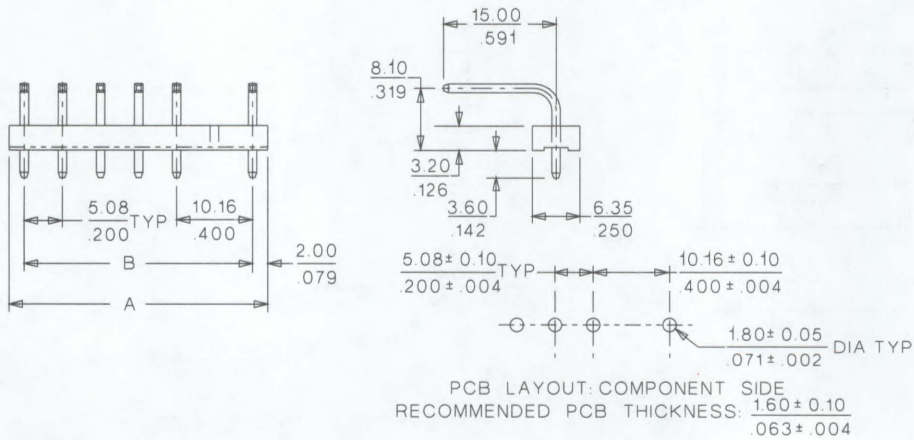
molex® 5.08mm (.200") Pitch SPOX™ Header

5284-NA Right Angle With Void



3.00 to 7.92mm (.118 to .312") Pitch

CATALOG DRAWING (FOR REFERENCE ONLY)



ORDERING INFORMATION AND DIMENSIONS

Circuits	Order No.	Dimension	
		A	B
3	10-68-1035	19.24 (.757)	15.24 (.599)
4	10-68-1045	24.32 (.957)	20.32 (.799)
5	10-68-1055	29.40 (1.157)	25.40 (1.000)
6	10-68-1065	34.48 (1.357)	30.48 (1.199)
7	10-68-1075	39.56 (1.557)	35.56 (1.399)
8	10-68-1085	44.64 (1.757)	40.64 (1.599)

FEATURES AND SPECIFICATIONS

molex® 5.08mm (.200") Pitch Header
5282-NA
Right Angle
Square Pin

Features and Benefits

- Sizes 2 to 7 circuits

Reference Information

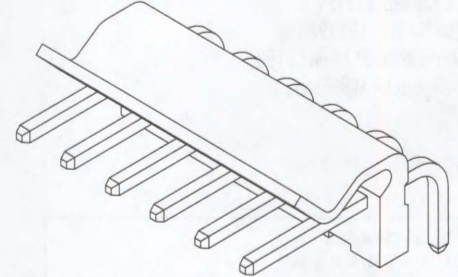
Packaging: Bulk
 UL File No.: E29179
 CSA File No.: LR19980
 Mates With: 5197-N and 5258-N housings
 Designed In: Millimeters

Electrical

Voltage: 250V
 Current: 7.0A
 Contact Resistance: 10mΩ max.
 Dielectric Withstanding Voltage: 1500V AC/1 min.
 Insulation Resistance: 1000 MΩ min.

Physical

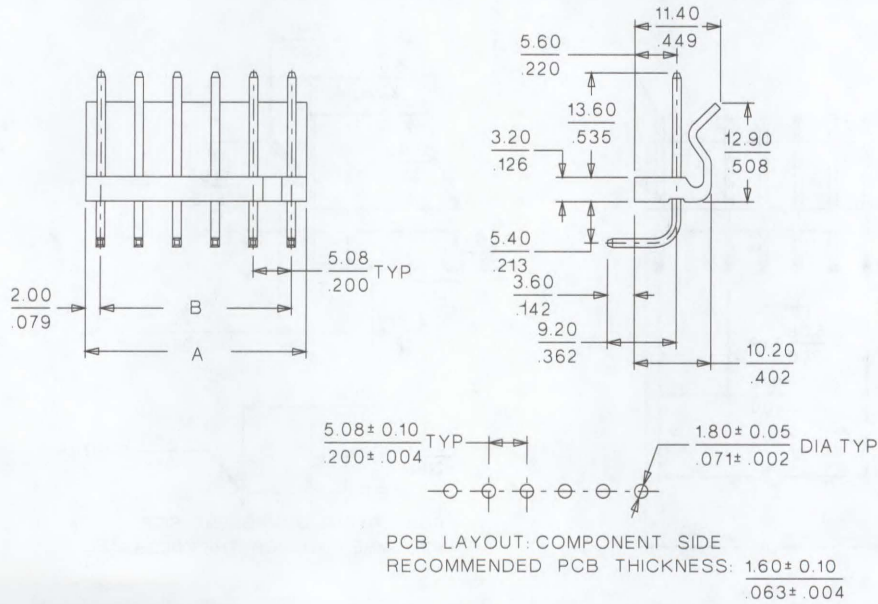
Housing: 6/6 nylon, UL 94V-2
 Contact: Brass, 1.14mm (.045") square pins
 Plating: Tin
 Operating Temperature: -40 to +105°C



D

3.00 to 7.92mm (.118 to .312") Pitch

CATALOG DRAWING (FOR REFERENCE ONLY)



ORDERING INFORMATION AND DIMENSIONS

Circuits	Order No.	Dimension	
		A	B
2	10-33-1022	9.08 (.357)	5.08 (.200)
3	10-33-1032	14.16 (.557)	10.16 (.400)
4	10-33-1042	19.24 (.757)	15.24 (.600)
5	10-33-1052	24.32 (.957)	20.32 (.800)
6	10-33-1062	29.40 (1.157)	25.40 (1.000)
7	10-33-1072	34.48 (1.357)	30.48 (1.200)

FEATURES AND SPECIFICATIONS

Features and Benefits

- Sizes 2 to 6 circuits
- Second pin void
- Friction-locking ramp provides secure mating retention

Reference Information

Product Specification: Contact Molex
 Packaging: Bag
 UL File No.: E29179
 CSA File No.: LR19980
 Mates With: 5127 and 5198
 Designed In: Millimeters

Electrical

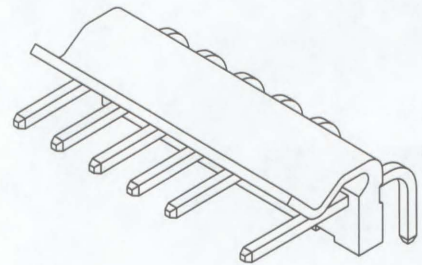
Voltage: 250V
 Current: 7.0A
 Contact Resistance: 10mΩ max.
 Dielectric Withstanding Voltage: 1500V AC/1 min.
 Insulation Resistance: 1000 MΩ min.

Physical

Housing: 6/6 nylon, UL 94V-2
 Contact: Brass
 Plating: Tin
 Operating Temperature: -40 to +105°C

molex® 5.08mm (.200") Pitch Header

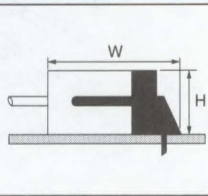
5286-NA Right Angle With Void



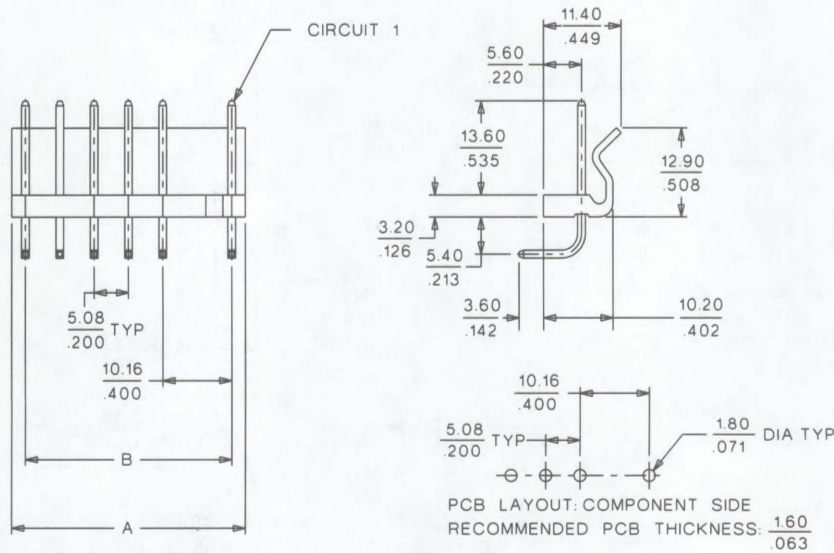
D 3.00 to 7.92mm (.118 to .312") Pitch

Mating Dimensions

- 5286/5198/5194 or 5225
 H=11.80mm (.465")
 W=25.20mm (.992")
- 5286/5127/5167 or 5168
 H=11.40mm (.449")
 W=25.20mm (.992")



CATALOG DRAWING (FOR REFERENCE ONLY)



ORDERING INFORMATION AND DIMENSIONS

Circuits	Order No.	Dimension	
		A	B
2	10-68-1027	14.16 (.557)	10.16 (.400)
3	10-68-1037	19.24 (.757)	15.24 (.600)
4	10-68-1047	24.32 (.957)	20.32 (.800)
5	10-68-1057	29.40 (1.157)	25.40 (1.000)
6	10-68-1067	34.48 (1.357)	30.48 (1.200)

FEATURES AND SPECIFICATIONS

Features and Benefits

- Sizes 2 to 20 circuits
- Available with voids (contact Molex)
- Molded insulator

Reference Information

Product Specification: PSX10-39
 Packaging: Bag
 UL File No.: E29179SC
 CSA File No.: LR19980
 Mates With: 3001, 3002, 3011 and 5058-N
 Designed In: Inches

Electrical

Voltage: 250V
 Current: 7.0A
 Contact Resistance: 20mΩ max.
 Dielectric Withstanding Voltage: 1500V
 Insulation Resistance: 500K MΩ min.

Mechanical

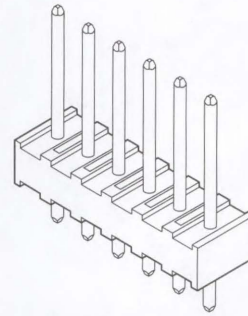
Mating Force: 24 oz max.
 Unmating Force: 4 oz min.
 Normal Force: 350g
 Durability: 25 cycles Tin

Physical

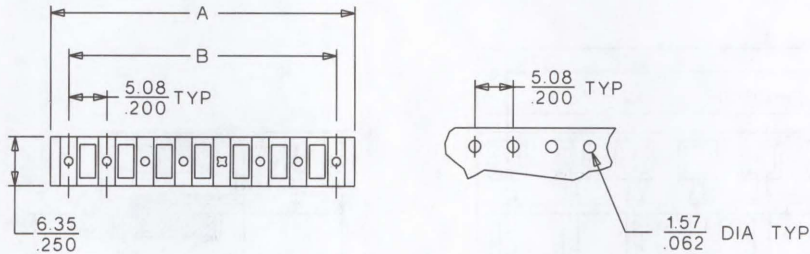
Housing: Nylon, UL 94V-2
 Contact: Brass, 1.14mm (.045") round
 Plating: 5μm Tin and 0.51μm Gold
 Operating Temperature: 0 to +75°C

molex® 5.08mm (.200") Pitch KK® Header

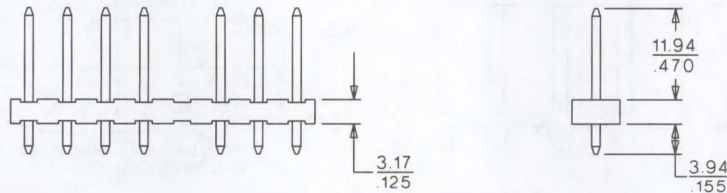
3003 Vertical Round Pin



CATALOG DRAWING (FOR REFERENCE ONLY)



RECOMMENDED PCB LAYOUT



ORDERING INFORMATION AND DIMENSIONS

Circuits	Order No.		Dimension	
	Tin	Gold	A	B
2	10-08-1021	10-45-1021	9.91 (.390)	5.08 (.200)
3	10-08-1031	10-45-1031	14.99 (.590)	10.16 (.400)
4	10-08-1041	10-45-1041	20.07 (.790)	15.24 (.600)
5	10-08-1051	10-45-1051	25.15 (.990)	20.32 (.800)
6	10-08-1061	10-45-1061	30.23 (1.190)	25.40 (1.000)
7	10-08-1071	10-45-1071	35.31 (1.390)	30.48 (1.200)
8	10-08-1081	10-45-1081	40.39 (1.590)	35.56 (1.400)
9	10-08-1091	10-45-1091	45.47 (1.790)	40.64 (1.600)
10	10-08-1101	10-45-1101	50.55 (1.990)	45.72 (1.800)
11	10-08-1111	10-45-1111	55.63 (2.190)	50.80 (2.000)

Circuits	Order No.		Dimension	
	Tin	Gold	A	B
12	10-08-1121	10-45-1121	60.71 (2.390)	55.88 (2.200)
13	10-08-1131	10-45-1131	65.79 (2.590)	60.96 (2.400)
14	10-08-1141	10-45-1141	70.87 (2.790)	66.04 (2.600)
15	10-08-1151	10-45-1151	75.95 (2.990)	71.12 (2.800)
16	10-08-1161	10-45-1161	81.03 (3.190)	76.20 (3.000)
17	10-08-1171	10-45-1171	86.11 (3.390)	81.28 (3.200)
18	10-08-1181	10-45-1181	91.19 (3.590)	86.36 (3.400)
19	10-08-1191	10-45-1191	96.27 (3.790)	91.44 (3.600)
20	10-08-1201	10-45-1201	101.35 (3.990)	96.52 (3.800)

D

3.00 to 7.92mm (.118 to .312") Pitch

FEATURES AND SPECIFICATIONS

Features and Benefits

- Sizes 3 to 6 circuits

Reference Information

Packaging: Bag
 UL File No.: E29179
 CSA File No.: LR19980
 Mates With: 5279-NA
 Designed In: Millimeters

Electrical

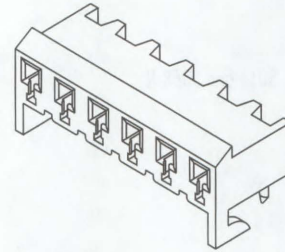
Voltage: 250V
 Current: 7.0A
 Contact Resistance: 10mΩ max.
 Dielectric Withstanding Voltage: 1500V AC/1 min.
 Insulation Resistance: 1000 MΩ min.

Physical

Housing: 6/6 nylon, UL 94V-2
 Contact: Brass
 Plating: Tin over Copper
 Operating Temperature: -40 to +105°C

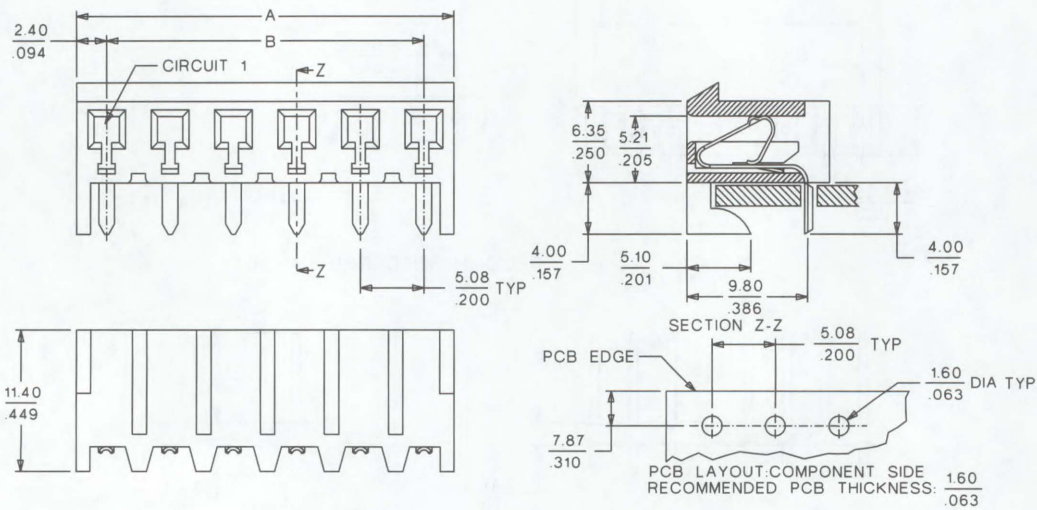
molex® 5.08mm (.200") Pitch PC Board Connector

2767-NAH Right Angle Mount



3.00 to 7.92mm (.118 to .312") Pitch

CATALOG DRAWING (FOR REFERENCE ONLY)



ORDERING INFORMATION AND DIMENSIONS

Circuits	Order No.	Dimension	
		A	B
3	10-05-1033	14.96 (.589)	10.16 (.400)
4	10-05-1043	20.04 (.789)	15.24 (.600)
5	10-05-1053	25.12 (.989)	20.32 (.800)
6	10-05-1063	30.20 (1.189)	25.40 (1.000)

FEATURES AND SPECIFICATIONS

Features and Benefits

- Sizes 2 to 20 circuits

Reference Information

Product Specification: PSX10-39
 Packaging: Tray
 UL File No.: E29179
 CSA File No.: LR19980
 Mates With: 2599, 3003 and 3008 headers
 Designed In: Inches

Electrical

Voltage: 250V
 Current: 7.0A
 Contact Resistance: 20mΩ max.
 Dielectric Withstanding Voltage: 1500V
 Insulation Resistance: 500K MΩ min.

Mechanical

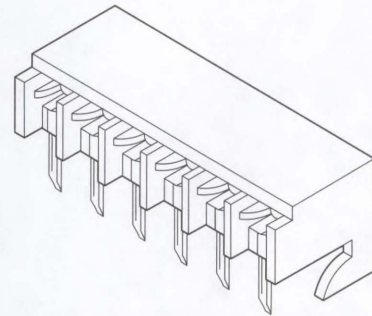
Mating Force: 24 oz max.
 Unmating Force: 4 oz min.
 Normal Force: 350g
 Durability: 25 cycles Tin

Physical

Housing: Nylon, UL 94V-2
 Contact: Phosphor Bronze
 Plating: 1μm Tin/Lead and 0.5μm Gold
 Operating Temperature: 0 to +75°C

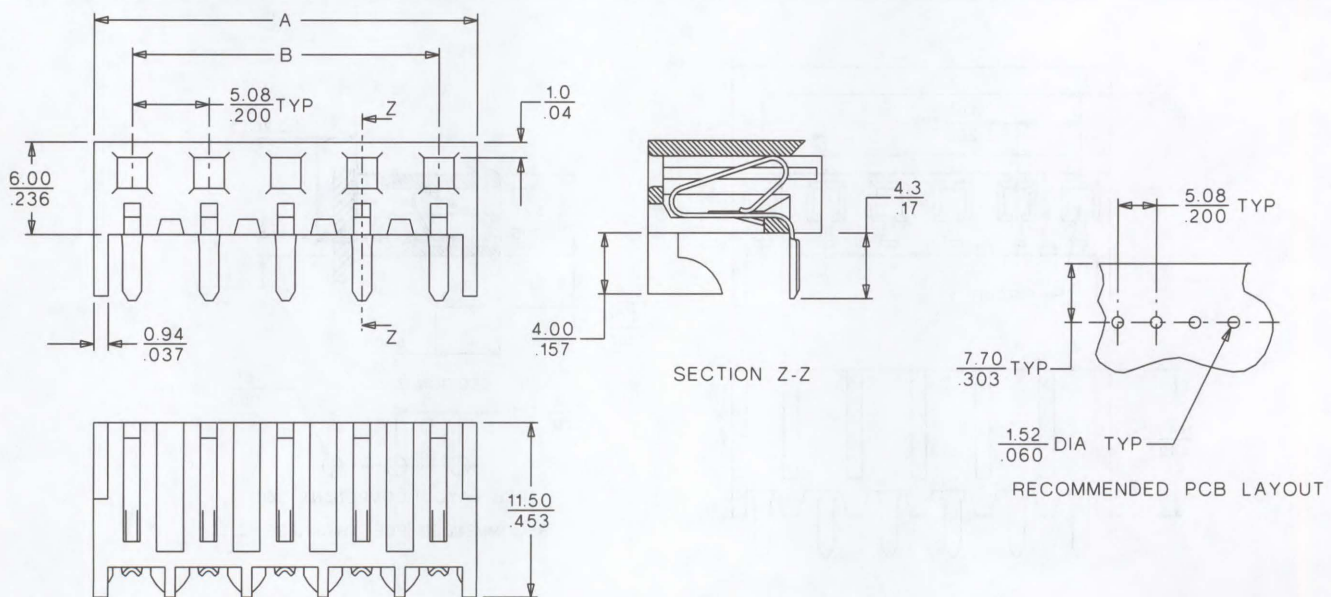
molex® 5.08mm (.200") Pitch
KK®
PC Board Connector

3002
Right Angle
Mount Style A



D
 3.00 to 7.92mm (.118 to .312") Pitch

CATALOG DRAWING (FOR REFERENCE ONLY)



ORDERING INFORMATION AND DIMENSIONS

Circuits	Order No.		Dimension	
	Tin	Gold	A	B
2	10-10-1021	10-10-1024	10.16 (.400)	5.08 (.200)
3	10-10-1031	10-10-1034	15.24 (.600)	10.16 (.400)
4	10-10-1041	10-10-1044	20.32 (.800)	15.24 (.600)
5	10-10-1051	10-10-1054	25.40 (1.000)	20.32 (.800)
6	10-10-1061	10-10-1064	30.48 (1.200)	25.40 (1.000)
7	10-10-1071	10-10-1074	35.56 (1.400)	30.48 (1.200)
8	10-10-1081	10-10-1084	40.64 (1.600)	35.56 (1.400)
9	10-10-1091	10-10-1094	45.72 (1.800)	40.64 (1.600)
10	10-10-1101	10-10-1104	50.80 (2.000)	45.72 (1.800)
11	10-10-1111	10-10-1114	55.88 (2.200)	50.80 (2.000)

Circuits	Order No.		Dimension	
	Tin	Gold	A	B
12	10-10-1121	10-10-1124	60.96 (2.400)	55.88 (2.200)
13	10-10-1131	10-10-1134	66.04 (2.600)	60.96 (2.400)
14	10-10-1141	10-10-1144	71.12 (2.800)	66.04 (2.600)
15	10-10-1151	10-10-1154	76.20 (3.000)	71.12 (2.800)
16	10-10-1161	10-10-1164	81.28 (3.200)	76.20 (3.000)
17	10-10-1171	10-10-1174	86.36 (3.400)	81.28 (3.200)
18	10-10-1181	10-10-1184	91.44 (3.600)	86.36 (3.400)
19	10-10-1191	10-10-1194	96.52 (3.800)	91.44 (3.600)
20	10-10-1201	10-10-1204	101.60 (4.000)	96.52 (3.800)

Plating: 1.00 microns Tin/Lead /2.00 microns Copper min. (.000040" Tin/Lead / .000080" Copper min.) or 0.50 microns Gold/0.75 microns Nickel min. (.000020" Gold/.000030" Nickel min.)

FEATURES AND SPECIFICATIONS

Features and Benefits

- Sizes 3 to 6 circuits

Reference Information

Packaging: Bag
 UL File No.: E29179
 CSA File No.: LR19980
 Mates With: 5279-NA
 Designed In: Millimeters

Electrical

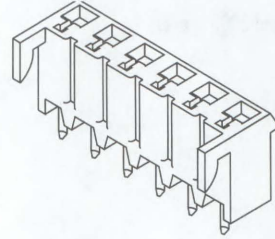
Voltage: 250V
 Current: 7.0A
 Contact Resistance: 10mΩ max.
 Dielectric Withstanding Voltage: 1500V AC/1 min.
 Insulation Resistance: 1000 MΩ min.

Physical

Housing: 6/6 nylon, UL 94V-2
 Contact: Brass
 Plating: Tin over Copper
 Temperature: -40 to +105°C

molex® 5.08mm (.200") Pitch PC Board Connector

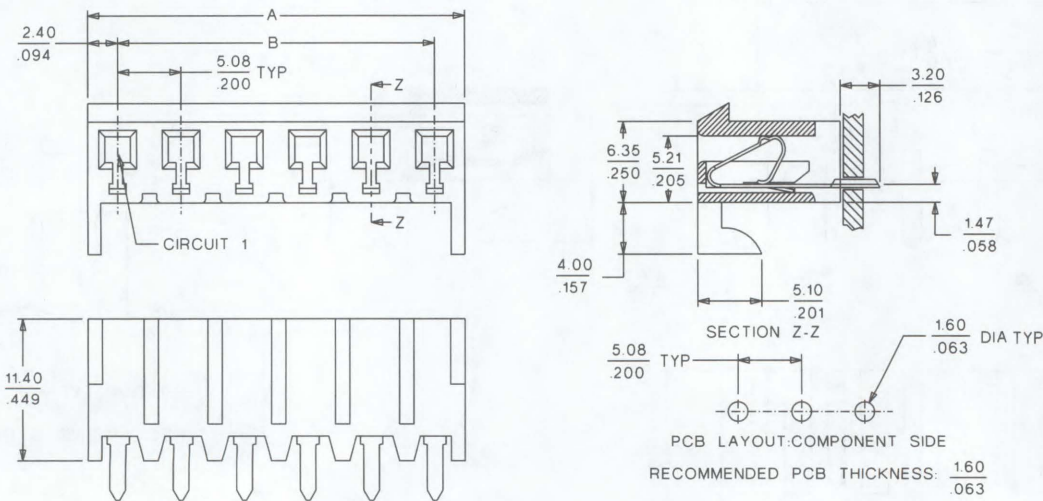
2767-NCH Top Entry



3.00 to 7.92mm (.118 to .312") Pitch

D

CATALOG DRAWING (FOR REFERENCE ONLY)



ORDERING INFORMATION AND DIMENSIONS

Circuits	Order No.	Dimension	
		A	B
3	10-05-1037	14.96 (.589)	10.16 (.400)
4	10-05-1047	20.04 (.789)	15.24 (.600)
5	10-05-1057	25.12 (.989)	20.32 (.800)
6	10-05-1067	30.20 (1.189)	25.40 (1.000)

FEATURES AND SPECIFICATIONS

Features and Benefits

- Sizes 2 to 20 circuits

Reference Information

Product Specification: PSX10-39
 Packaging: Tray
 UL File No.: E29179
 CSA File No.: LR19980
 Mates With: 2599, 3003 and 3008 headers
 Designed In: Inches

Electrical

Voltage: 250V
 Current: 7.0A
 Contact Resistance: 20mΩ max.
 Dielectric Withstanding Voltage: 1500V
 Insulation Resistance: 500K MΩ min.

Mechanical

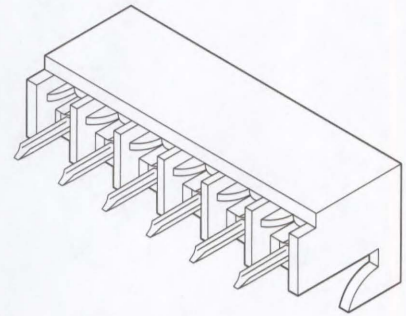
Mating Force: 24 oz max.
 Unmating Force: 4 oz min.
 Normal Force: 350g
 Durability: 25 cycles Tin

Physical

Housing: Nylon, UL 94V-2
 Contact: Phosphor Bronze
 Plating: 1μm Tin/Lead and 0.5μm Gold
 Operating Temperature: 0 to +75°C

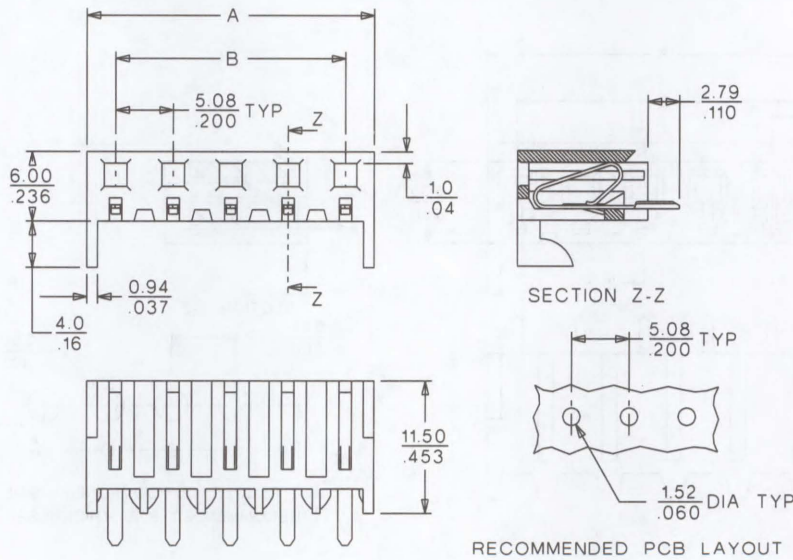
molex® 5.08mm (.200") Pitch KK® PC Board Connector

3002 Top Entry Mount Style C



D
 3.00 to 7.92mm (.118 to .312") Pitch

CATALOG DRAWING (FOR REFERENCE ONLY)



ORDERING INFORMATION AND DIMENSIONS

Circuits	Order No.		Dimension	
	Tin	Gold	A	B
2	10-10-1023	10-10-1028	10.16 (.400)	5.08 (.200)
3	10-10-1033	10-10-1038	15.24 (.600)	10.16 (.400)
4	10-10-1043	10-10-1048	20.32 (.800)	15.24 (.600)
5	10-10-1053	10-10-1058	25.40 (1.000)	20.32 (.800)
6	10-10-1063	10-10-1068	30.48 (1.200)	25.40 (1.000)
7	10-10-1073	10-10-1078	35.56 (1.400)	30.48 (1.200)
8	10-10-1083	10-10-1088	40.64 (1.600)	35.56 (1.400)
9	10-10-1093	10-10-1098	45.72 (1.800)	40.64 (1.600)
10	10-10-1103	10-10-1108	50.80 (2.000)	45.72 (1.800)
11	10-10-1113	10-10-1118	55.88 (2.200)	50.80 (2.000)

Circuits	Order No.		Dimension	
	Tin	Gold	A	B
12	10-10-1123	10-10-1128	60.96 (2.400)	55.88 (2.200)
13	10-10-1133	10-10-1138	66.04 (2.600)	60.96 (2.400)
14	10-10-1143	10-10-1148	71.12 (2.800)	66.04 (2.600)
15	10-10-1153	10-10-1158	76.20 (3.000)	71.12 (2.800)
16	10-10-1163	10-10-1168	81.28 (3.200)	76.20 (3.000)
17	10-10-1173	10-10-1178	86.36 (3.400)	81.28 (3.200)
18	10-10-1183	10-10-1188	91.44 (3.600)	86.36 (3.400)
19	10-10-1193	10-10-1198	96.52 (3.800)	91.44 (3.600)
20	10-10-1203	10-10-1208	101.60 (4.000)	96.52 (3.800)

Plating: 1.00 microns Tin/Lead / 2.00 microns Copper min. (.000040" Tin/Lead / .000080" Copper min.) or
 0.50 microns Gold / 0.75 microns Nickel min. (.000020" Gold / .000030" Nickel min.)

FEATURES AND SPECIFICATIONS

Features and Benefits

- Sizes 3 to 6 circuits

Reference Information

Packaging: Bag
 UL File No.: E29179
 CSA File No.: LR19980
 Mates With: 5077-NC
 Designed In: Millimeters

Electrical

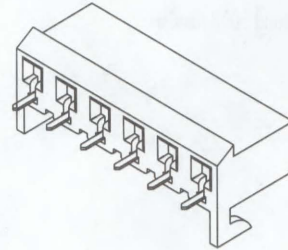
Voltage: 250V
 Current: 7.0A
 Contact Resistance: 10mΩ max.
 Dielectric Withstanding Voltage: 1500V AC/1 min.
 Insulation Resistance: 1000 MΩ min.

Physical

Housing: 6/6 nylon, UL 94V-2
 Contact: Brass
 Plating: Tin over Copper
 Operating Temperature: -40 to +105°C

molex® 5.08mm (.200") Pitch PC Board Connector

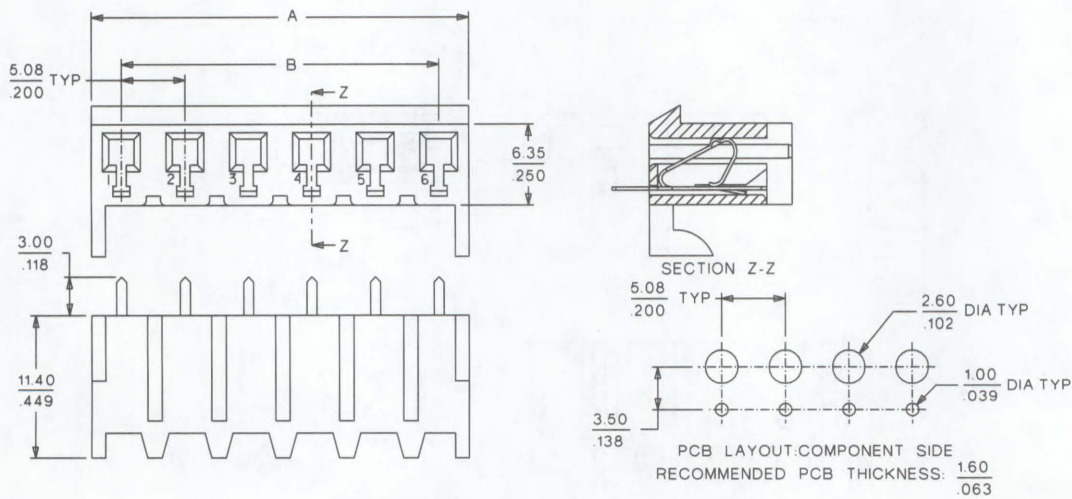
2767-NBH Bottom Entry



3.00 to 7.92mm (.118 to .312") Pitch

D

CATALOG DRAWING (FOR REFERENCE ONLY)



ORDERING INFORMATION AND DIMENSIONS

Circuits	Order No.	Dimension	
		A	B
3	10-05-1035	14.96 (.589)	10.16 (.400)
4	10-05-1045	20.04 (.789)	15.24 (.600)
5	10-05-1055	25.12 (.989)	20.32 (.800)
6	10-05-1065	30.20 (1.189)	25.40 (1.000)

FEATURES AND SPECIFICATIONS

Features and Benefits

- Sizes 2 to 20 circuits

Reference Information

Product Specification: PSX10-39

Packaging: Tray

UL File No.: E29179

CSA File No.: LR19980

Mates With: 2599, 3003 and 3008 headers

Designed In: Inches

Electrical

Voltage: 250V

Current: 7.0A

Contact Resistance: 20mΩ max.

Dielectric Withstanding Voltage: 1500V

Insulation Resistance: 500K MΩ min.

Mechanical

Mating Force: 24 oz max.

Unmating Force: 4 oz min.

Normal Force: 350g

Durability: 25 cycles Tin

Physical

Housing: Nylon, UL 94V-2

Contact: Phosphor Bronze

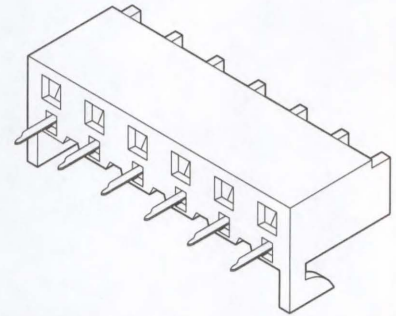
Plating: 1μm Tin/Lead and 0.5μm Gold

Operating Temperature: 0 to +75°C

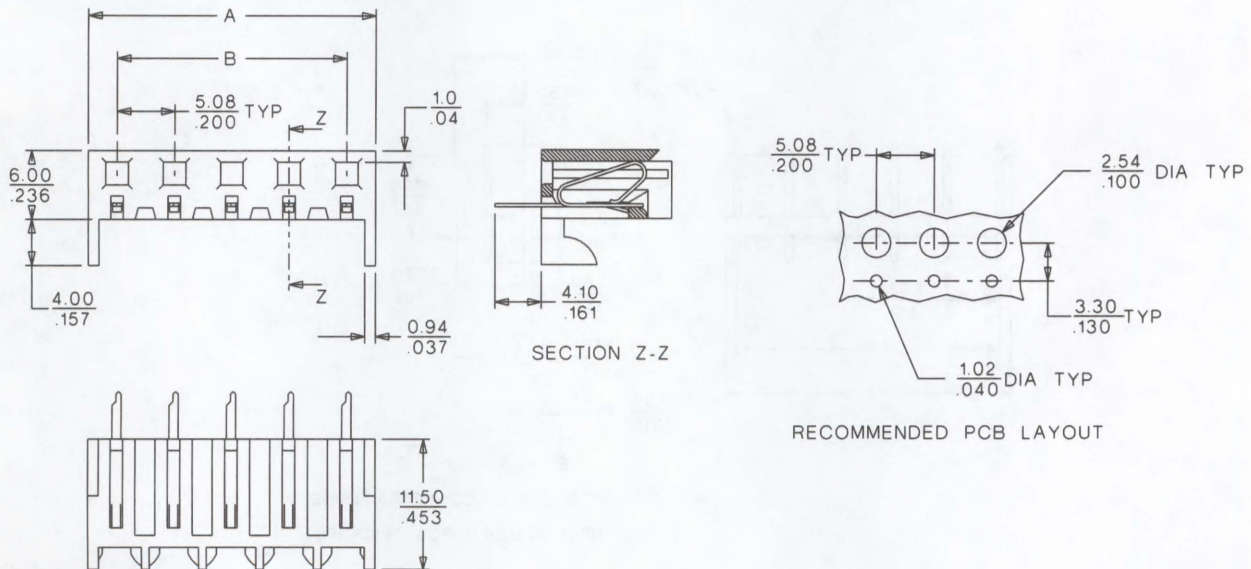
molex® 5.08mm (.200") Pitch KK® PC Board Connector

3002

Bottom Entry Mount Style B



CATALOG DRAWING (FOR REFERENCE ONLY)



ORDERING INFORMATION AND DIMENSIONS

Circuits	Order No.		Dimension	
	Tin	Gold	A	B
2	10-02-1022	10-10-1026	10.16 (.400)	5.08 (.200)
3	10-02-1032	10-10-1036	15.24 (.600)	10.16 (.400)
4	10-02-1042	10-10-1046	20.32 (.800)	15.24 (.600)
5	10-02-1052	10-10-1056	25.40 (1.000)	20.32 (.800)
6	10-02-1062	10-10-1066	30.48 (1.200)	25.40 (1.000)
7	10-02-1072	10-10-1076	35.56 (1.400)	30.48 (1.200)
8	10-02-1082	10-10-1086	40.64 (1.600)	35.56 (1.400)
9	10-02-1092	10-10-1096	45.72 (1.800)	40.64 (1.600)
10	10-02-1102	10-10-1106	50.80 (2.000)	45.72 (1.800)
11	10-02-1112	10-10-1116	55.88 (2.200)	50.80 (2.000)

Circuits	Order No.		Dimension	
	Tin	Gold	A	B
12	10-02-1122	10-10-1126	60.96 (2.400)	55.88 (2.200)
13	10-02-1132	10-10-1136	66.04 (2.600)	60.96 (2.400)
14	10-02-1142	10-10-1146	71.12 (2.800)	66.04 (2.600)
15	10-02-1152	10-10-1156	76.20 (3.000)	71.12 (2.800)
16	10-02-1162	10-10-1166	81.28 (3.200)	76.20 (3.000)
17	10-02-1172	10-10-1176	86.36 (3.400)	81.28 (3.200)
18	10-02-1182	10-10-1186	91.44 (3.600)	86.36 (3.400)
19	10-02-1192	10-10-1196	96.52 (3.800)	91.44 (3.600)
20	10-02-1202	10-10-1206	101.60 (4.000)	96.52 (3.800)

Plating: 1.00 microns Tin/Lead / 2.00 microns Copper min. (.000040" Tin/Lead / .000080" Copper min.) or 0.50 microns Gold / 0.75 microns Nickel min. (.000020" Gold / .000030" Nickel min.)

D

3.00 to 7.92mm (.118 to .312") Pitch

FEATURES AND SPECIFICATIONS

Features and Benefits

- Sizes 3 to 5 circuits
- Friction locking wall for secure retention

Reference Information

Packaging: Bag
 UL File No.: E29179
 CSA File No.: LR19980
 Mates With: 5195-N and 5239-N housings
 Designed In: Millimeters

Electrical

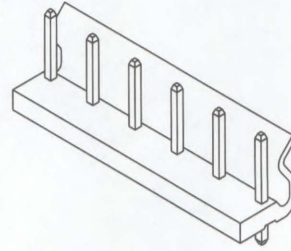
Voltage: 250V
 Current: 7.0A
 Contact Resistance: 10mΩ max.
 Dielectric Withstanding Voltage: 1500V AC/1 min.
 Insulation Resistance: 1000 MΩ min.

Physical

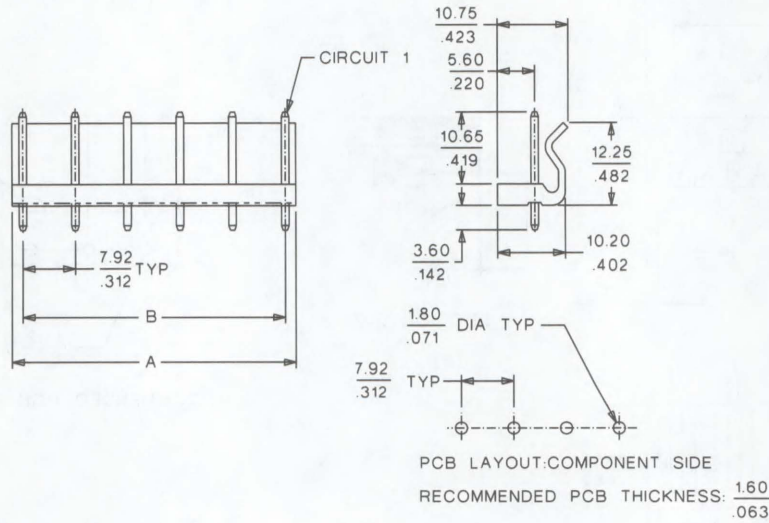
Housing: 6/6 nylon, UL 94V-2
 Contact: Brass
 Plating: Tin
 Operating Temperature: -40 to +105°C

molex® 7.92mm (.312") Pitch SPOX™ Header

5096-NC Straight Friction Lock



3.00 to 7.92mm (.118 to .312") Pitch



ORDERING INFORMATION AND DIMENSIONS

Circuits	Order No.	Dimension	
		A	B
3	10-63-4037	19.04 (.750)	15.84 (.624)
4	10-63-4047	26.96 (1.061)	23.76 (.935)
5	10-63-4057	34.88 (1.373)	31.68 (1.247)

FEATURES AND SPECIFICATIONS



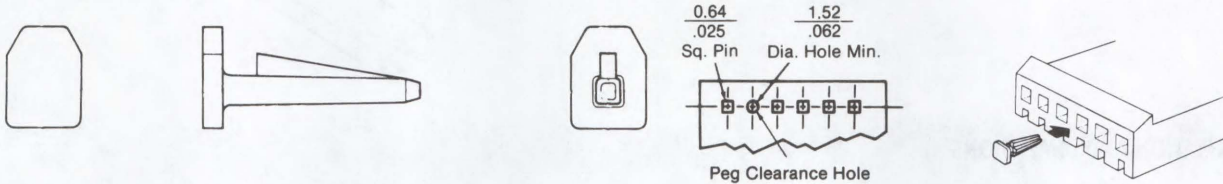
KK® Polarizing Keys and Pegs

2.50mm (.098") and
2.54mm (.100") Pitch

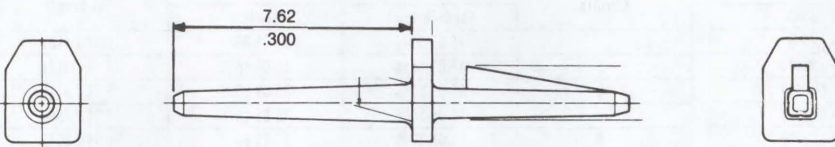
Features and Benefits

- Snap fit into KK Series housings
- Polarizing peg or key
- Nylon, UL 94V-2 material
- Eases correct orientation between connector and header
- Provides customization of interconnect system

Polarizing Key



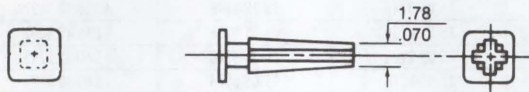
Polarizing Peg



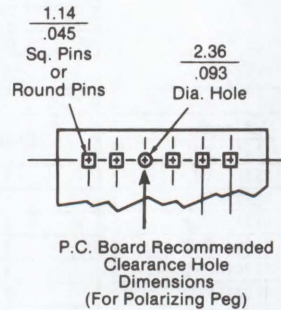
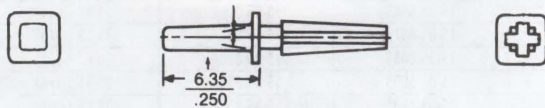
	Engineering No.	Order No.	Fits Connector Housings
Polarizing Key	4161-1	• 15-04-9209	2695, 4025, 4455, 5051, 6471
Polarizing Peg	4161-2	• 15-04-9210	

CATALOG DRAWING (FOR REFERENCE ONLY)

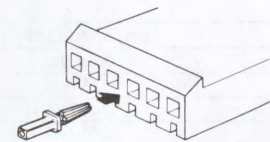
Polarizing Key



Polarizing Peg



KK
3.96mm (.156") and
5.08mm (.200") Pitch



	Engineering No.	Order No.	Fits Connector Housings
Polarizing Key	2560-1	• 15-04-0219	2139, 2145
Polarizing Peg	2560-2	• 15-04-0220	
Polarizing Key	42324-A	• 15-04-0297	41695, 41815

• US Standard Product, available through Molex franchised distributors

D
3.00 to 7.92mm (.118 to .312") Pitch

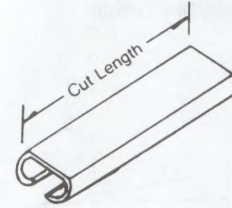
FEATURES AND SPECIFICATIONS

Features and Benefits

- Sizes 4 to 28 circuits, see tables
- Prevents contaminants from affecting wire connection
- Cover accommodates feed-to and feed-through IDT connectors
- Improves wire retention

molex® KK® Standard IDT Covers

7894/7841



3.00 to 7.92mm (.118 to .312") Pitch

ORDERING INFORMATION AND DIMENSIONS

7894/3.96mm (.156")		
Circuits	Order No.	Cut Length
4	15-05-7044	15.19 (.598)
5	15-05-7054	19.15 (.754)
6	15-05-7064	23.11 (.910)
7	15-05-7074	27.07 (1.066)
8	15-05-7084	31.04 (1.222)
9	15-05-7094	35.00 (1.378)
10	15-05-7104	38.96 (1.534)
11	15-05-7114	42.93 (1.690)
12	15-05-7124	46.89 (1.846)
13	15-05-7134	50.85 (2.002)
14	15-05-7144	54.81 (2.158)
15	15-05-7154	58.78 (2.314)
16	15-05-7164	62.74 (2.470)
17	15-05-7174	66.70 (2.626)
18	15-05-7184	70.66 (2.782)
19	15-05-7194	74.62 (2.938)
20	15-05-7204	78.59 (3.094)
21	15-05-7214	82.55 (3.250)
22	15-05-7224	86.51 (3.406)
23	15-05-7234	90.47 (3.562)
24	15-05-7244	94.44 (3.718)

7841/2.50mm (.098")			
Circuits	Order No.		Cut Length
	Feed-Through	Feed-To	
4	15-05-8046	15-05-8048	10.49 (.413)
5	15-05-8056	15-05-8058	13.00 (.512)
6	15-05-8066	15-05-8068	15.51 (.611)
7	15-05-8076	15-05-8078	18.00 (.709)
8	15-05-8086	15-05-8088	20.49 (.807)
9	15-05-8096	15-05-8098	23.01 (.906)
10	15-05-8106	15-05-8108	25.50 (1.004)
11	15-05-8116	15-05-8118	27.99 (1.102)
12	15-05-8126	15-05-8128	30.50 (1.201)
13	15-05-8136	15-05-8138	32.99 (1.299)
14	15-05-8146	15-05-8148	35.50 (1.398)
15	15-05-8156	15-05-8158	37.99 (1.496)
16	15-05-8166	15-05-8168	40.51 (1.595)
17	15-05-8176	15-05-8178	43.00 (1.693)
18	15-05-8186	15-05-8188	45.49 (1.791)
19	15-05-8196	15-05-8198	48.00 (1.890)
20	15-05-8206	15-05-8208	50.49 (1.988)
21	15-05-8216	15-05-8218	53.00 (2.067)
22	15-05-8226	15-05-8228	55.49 (2.185)
23	15-05-8236	15-05-8238	57.98 (2.283)
24	15-05-8246	15-05-8248	60.50 (2.382)
25	15-05-8256	15-05-8258	62.99 (2.480)
26	15-05-8266	15-05-8268	65.50 (2.579)
27	15-05-8276	15-05-8278	68.02 (2.678)
28	15-05-8286	15-05-8288	70.51 (2.776)

7894/5.08mm (.200")		
Circuits	Order No.	Cut Length
4	15-05-7045	18.54 (.730)
5	15-05-7055	23.62 (.930)
6	15-05-7065	28.70 (1.130)
7	15-05-7075	33.78 (1.330)
8	15-05-7085	38.86 (1.530)
9	15-05-7095	43.94 (1.730)
10	15-05-7105	49.02 (1.930)
11	15-05-7115	54.10 (2.130)
12	15-05-7125	59.18 (2.330)
13	15-05-7135	64.26 (2.530)
14	15-05-7145	69.34 (2.730)
15	15-05-7155	74.41 (2.930)
16	15-05-7165	79.50 (3.130)

7841/2.54mm (.100")			
Circuits	Order No.		Cut Length
	Feed-Through	Feed-To	
4	15-05-8045	15-05-8047	10.51 (.414)
5	15-05-8055	15-05-8057	13.05 (.514)
6	15-05-8065	15-05-8067	15.59 (.614)
7	15-05-8075	15-05-8077	18.13 (.714)
8	15-05-8085	15-05-8087	20.67 (.814)
9	15-05-8095	15-05-8097	23.21 (.914)
10	15-05-8105	15-05-8107	25.75 (1.014)
11	15-05-8115	15-05-8117	28.29 (1.114)
12	15-05-8125	15-05-8127	30.83 (1.214)
13	15-05-8135	15-05-8137	33.37 (1.314)
14	15-05-8145	15-05-8147	35.91 (1.414)
15	15-05-8155	15-05-8157	38.45 (1.514)
16	15-05-8165	15-05-8167	40.99 (1.614)
17	15-05-8175	15-05-8177	43.53 (1.714)
18	15-05-8185	15-05-8187	46.07 (1.814)
19	15-05-8195	15-05-8197	48.61 (1.914)
20	15-05-8205	15-05-8207	51.15 (2.014)
21	15-05-8215	15-05-8217	53.69 (2.114)
22	15-05-8225	15-05-8227	56.23 (2.214)
23	15-05-8235	15-05-8237	58.77 (2.314)
24	15-05-8245	15-05-8247	61.31 (2.414)
25	15-05-8255	15-05-8257	63.85 (2.514)
26	15-05-8265	15-05-8267	66.39 (2.614)
27	15-05-8275	15-05-8277	68.93 (2.714)
28	15-05-8285	15-05-8287	71.47 (2.814)

FEATURES AND SPECIFICATIONS

molex® KK® Square Pins

Features and Benefits

- Provides lower profile interconnect system
- Various pin lengths available (contact Molex)
- Recommended for .062" thick printed circuit boards
- Pinsetting equipment available see end of section

Reference Information

Product Specification: ES-152

Packaging: Bag

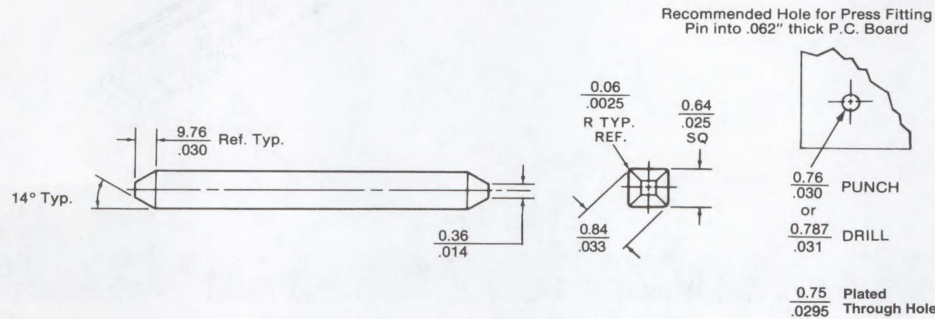
Tooling Information: See end of section

Mates With: Standard .100" crimp housing, PCB connectors
or IDT connectors

Designed In: Inches

2766/4166

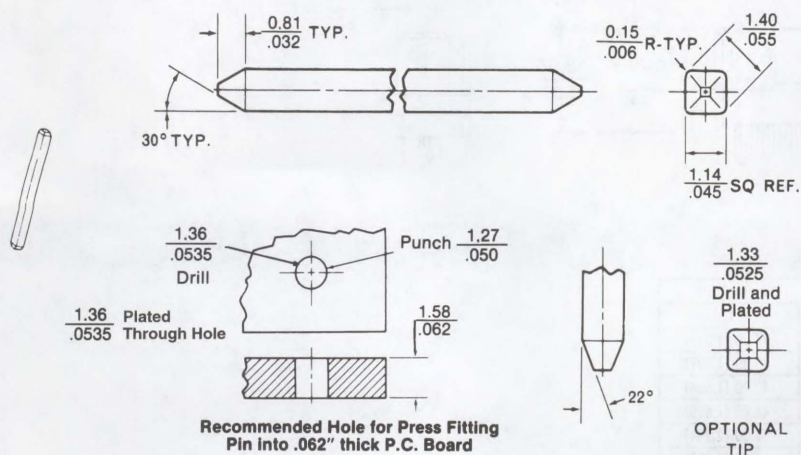
0.64mm (.025") Square Pins



Series No.	Order No.	Contact	Length	Plating
2766	• 89-00-0051	Hard-Drawn Brass	14.22 (.560)	Tin
	• 89-00-0060		14.22 (.560)	Gold
	89-00-0068		11.10 (.437)	Tin
	89-00-0114		11.10 (.437)	Gold
4166	08-52-1201	Phosphor Bronze	14.22 (.560)	Tin
	08-58-0611		14.22 (.560)	Gold
	08-52-0602		10.29 (.405)	Tin
	08-58-0622		10.29 (.405)	Gold

Contact Molex for other plating options

CATALOG DRAWING (FOR REFERENCE ONLY)



KK®

2161

1.14mm (.045") Square Pins

Series No.	Order No.	Contact	Length	Plating
2161	• 08-50-0401	Hard-Drawn Brass	19.05 (.750)	Tin
	• 08-56-0401		19.05 (.750)	Gold
	08-50-0404		12.70 (.500)	Tin
	08-56-0404		12.70 (.500)	Gold
	08-50-0410		11.10 (.437)	Tin
	08-56-0410		11.10 (.437)	Gold

• US Standard Product, available through Molex franchised distributors

D

3.00 to 7.92mm (.118 to .312") Pitch

FEATURES AND SPECIFICATIONS

Reference Information

Packaging: Tray
 Mates With: 53615 and 53658
 Designed In: Millimeters

Electrical

Voltage: 250V
 Current: 2.0A
 Contact Resistance: 20mΩ max.
 Dielectric Withstanding Voltage: 500V
 Insulation Resistance: 1000 MΩ min.

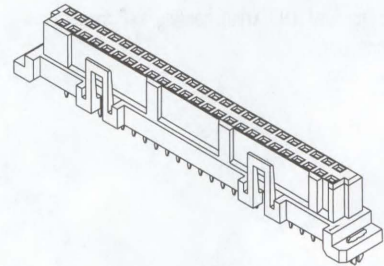
Physical

Housing: Black glass-filled PBT, UL 94V-0
 Contact: Phosphor Bronze
 Plating: Gold
 Operating Temperature: -40 to +105°C

molex® 3.00mm (.118") Pitch Board-to-Board Housing

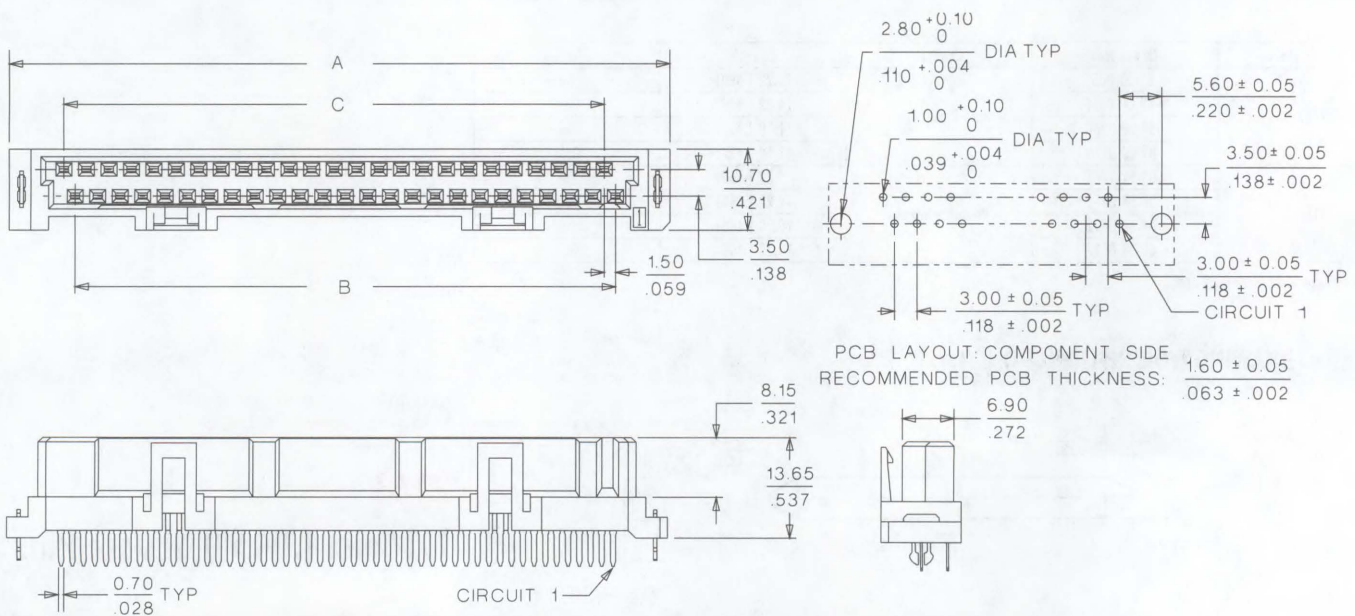
52872

Vertical



D
 3.00 to 7.92mm (.118 to .312") Pitch

CATALOG DRAWING (FOR REFERENCE ONLY)



ORDERING INFORMATION AND DIMENSIONS

Circuits	Order No.	Dimension		
		A	B	C
20	52872-2011	43.00 (1.693)	27.00 (1.063)	27.00 (1.063)
25	52872-2511	50.50 (1.988)	36.00 (1.417)	33.00 (1.299)
30	52872-3011	58.00 (2.283)	42.00 (1.654)	42.00 (1.654)
35	52872-3511	65.50 (2.579)	51.00 (2.008)	48.00 (1.890)
40	52872-4011	73.00 (2.874)	57.00 (2.244)	57.00 (2.244)
45	52872-4511	80.50 (3.169)	66.00 (2.598)	63.00 (2.480)
50	52872-5011	88.00 (3.465)	72.00 (2.835)	72.00 (2.835)
55	52872-5511	95.50 (3.760)	81.00 (3.189)	78.00 (3.071)

FEATURES AND SPECIFICATIONS

Features and Benefits

- Positive lock

Reference Information

Packaging: Tray
 Mates With: 52872
 Designed In: Millimeters

Electrical

Voltage: 250V
 Current: 2.0A
 Contact Resistance: 20mΩ max.
 Dielectric Withstanding Voltage: 500V
 Insulation Resistance: 1000 MΩ min.

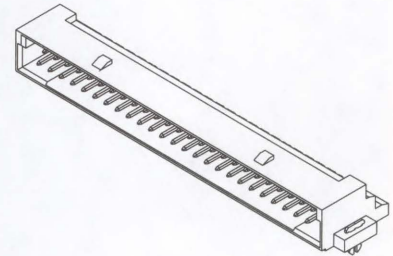
Physical

Housing: Black glass-filled PBT, UL 94V-0
 Contact: Brass
 Plating: Gold
 Operating Temperature: -40 to +105°C

molex® 3.00mm (.118") Pitch Board-to-Board Header

53615

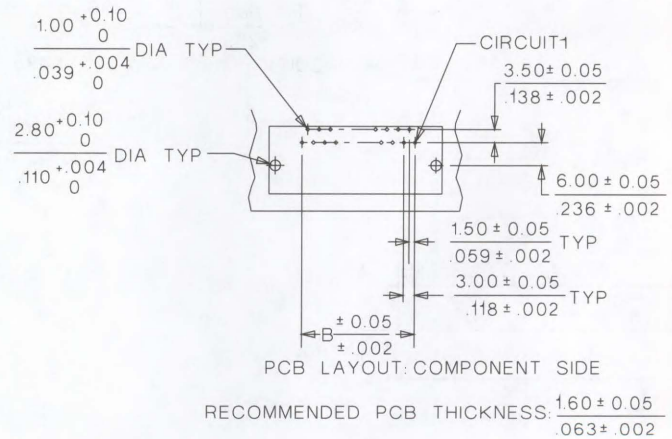
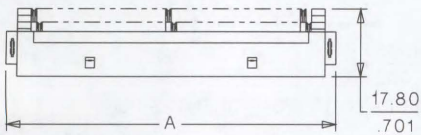
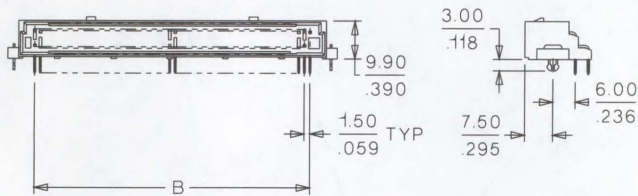
Right Angle



D

3.00 to 7.92mm (.118 to .312") Pitch

CATALOG DRAWING (FOR REFERENCE ONLY)



ORDERING INFORMATION AND DIMENSIONS

Circuits	Order No.	Dimension	
		A	B
20	53615-2011	43.00 (1.693)	27.00 (1.063)
25	53615-2511	50.50 (1.988)	36.00 (1.417)
30	53615-3011	58.00 (2.283)	42.00 (1.654)
35	53615-3511	65.50 (2.579)	51.00 (2.008)
40	53615-4011	73.00 (2.874)	57.00 (2.244)
45	53615-4511	80.50 (3.169)	66.00 (2.598)
50	53615-5011	88.00 (3.465)	72.00 (2.835)
55	53615-5511	95.50 (3.760)	81.00 (3.189)

FEATURES AND SPECIFICATIONS

Features and Benefits

- Friction lock

Reference Information

Packaging: Tray
Mates With: 52872
Designed In: Millimeters

Electrical

Voltage: 250V
Current: 2.0A
Contact Resistance: 20mΩ max.
Dielectric Withstanding Voltage: 500V
Insulation Resistance: 1000 MΩ min.

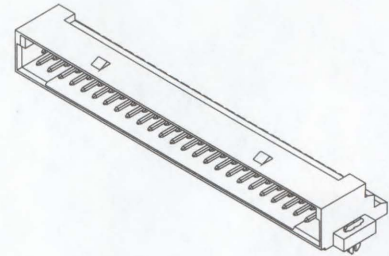
Physical

Housing: Gray glass-filled PBT, UL 94V-0
Contact: Brass
Plating: Gold
Operating Temperature: -40 to +105°C

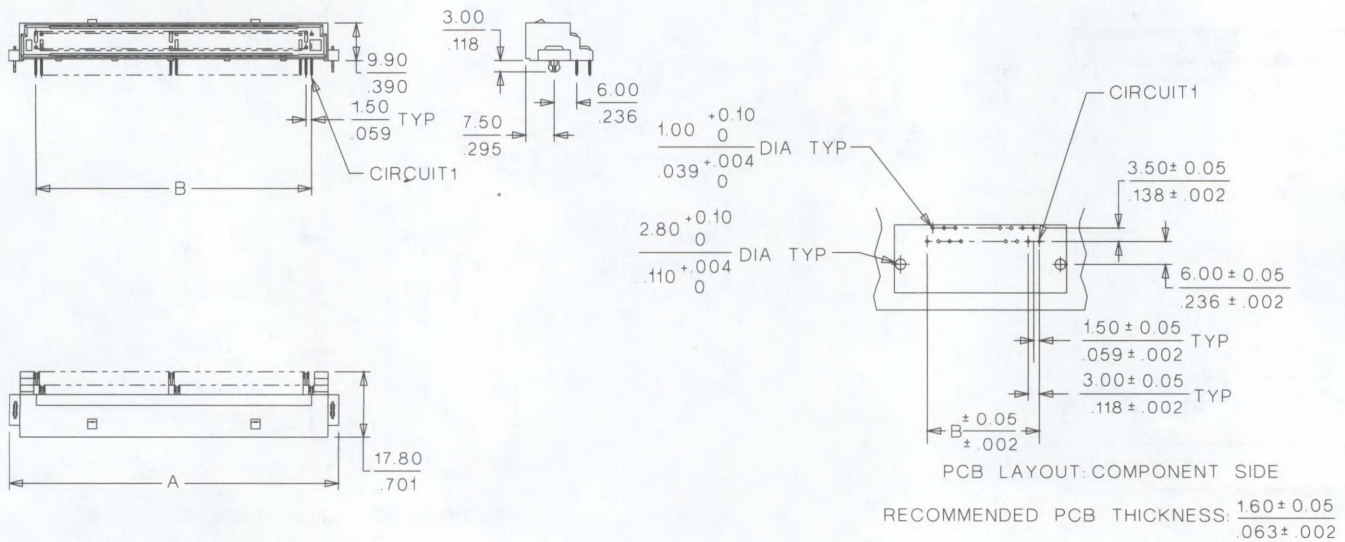
molex® 3.00mm (.118") Pitch Board-to-Board Header

53658

Right Angle



CATALOG DRAWING (FOR REFERENCE ONLY)



ORDERING INFORMATION AND DIMENSIONS

Circuits	Order No.	Dimension	
		A	B
20	53658-2015	43.00 (1.693)	27.00 (1.063)
25	53658-2515	50.50 (1.988)	36.00 (1.417)
30	53658-3015	58.00 (2.283)	42.00 (1.654)
35	53658-3515	65.50 (2.579)	51.00 (2.008)
40	53658-4015	73.00 (2.874)	57.00 (2.244)
45	53658-4515	80.50 (3.169)	66.00 (2.598)
50	53658-5015	88.00 (3.465)	72.00 (2.835)
55	53658-5515	95.50 (3.760)	81.00 (3.189)

D
3.00 to 7.92mm (.118 to .312") Pitch

FEATURES AND SPECIFICATIONS

Features and Benefits

- Locking window provides secure mating retention to housing lance

Reference Information

Product Specification: PS-51067-008
 Packaging: Reel or bag
 Mates With: 50217
 Use With: 51114
 Designed In: Millimeters

Electrical

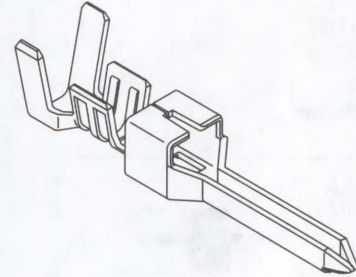
Voltage: 250V
 Current: 6.0A
 Contact Resistance: 10mΩ max.
 Dielectric Withstanding Voltage: 1500V AC/1 min.
 Insulation Resistance: 1000 MΩ min.

Physical

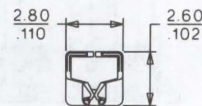
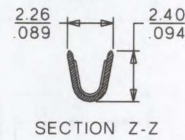
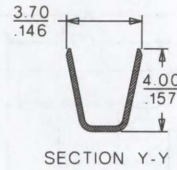
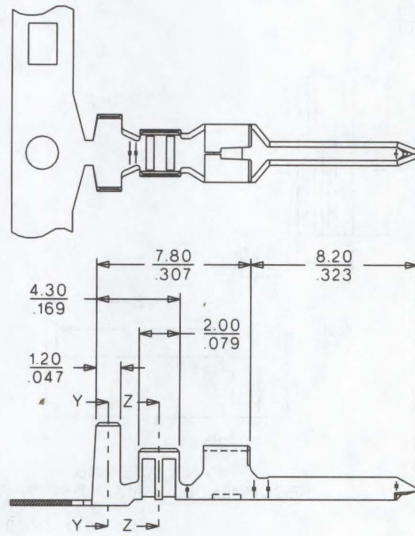
Contact: Brass
 Plating: Tin
 Wire Range: 18 to 24 AWG
 Insulation Diameter: 1.40 to 3.00mm (.055 to .118")
 Strip Length: 3.00 to 3.50mm (.118 to .138")
 Operating Temperature: -40 to +105°C

molex® 3.50mm (.138") Pitch Wire-to-Wire Crimp Terminal

50419
Male



CATALOG DRAWING (FOR REFERENCE ONLY)



3.00 to 7.92mm (.118 to .312") Pitch

ORDERING INFORMATION

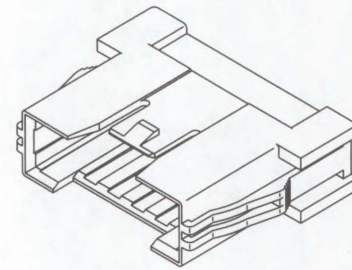
Order No.	Packaging
50419-9001	Reel
50419-9101	Bag



3.50mm (.138") Pitch Wire-to-Wire Plug

51114

Positive Lock Panel Mount



FEATURES AND SPECIFICATIONS

Features and Benefits

- Sizes 2 to 10 circuits
- Integral mounting ears provide easy panel attachment and secure retention
- Housing locking tang for secure terminal retention

Reference Information

Product Specification: PS-51067-008
 Packaging: Bag
 UL File No.: E29179
 CSA File No.: LR19980
 Mates With: 51067
 Use With: 50419
 Designed In: Millimeters

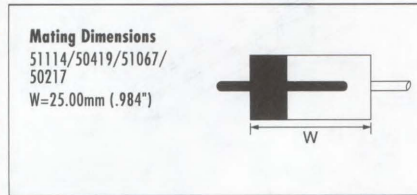
Electrical

Voltage: 250V
 Current: 6.0A
 Contact Resistance: 10mΩ max.
 Dielectric Withstanding Voltage: 1500V AC/1 min.
 Insulation Resistance: 1000 MΩ min.

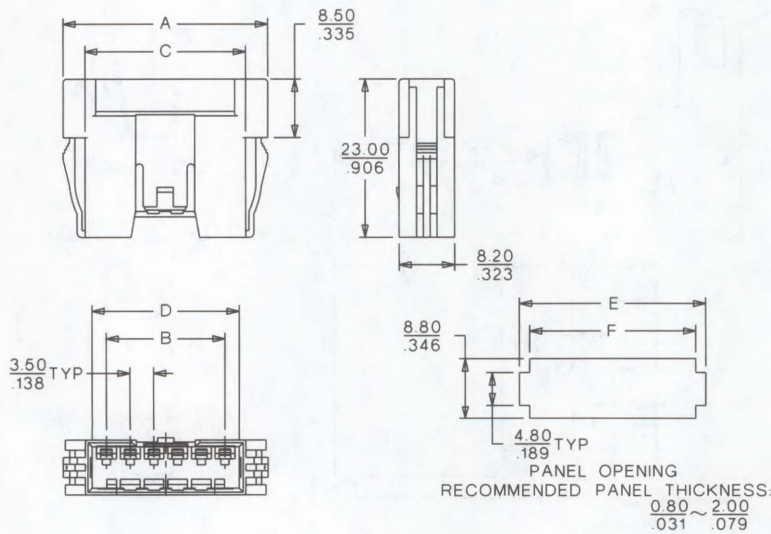
Physical

Housing: PBT, UL 94V-0
 Operating Temperature: -40 to +105°

D 3.00 to 7.92mm (.118 to .312") Pitch



CATALOG DRAWING (FOR REFERENCE ONLY)



ORDERING INFORMATION AND DIMENSIONS

Circuits	Order No.		Dimension					
	With Panel Mount	Without Panel Mount	A	B	C	D	E	F
2	51114-0200	51114-0210	16.20 (.638)	3.50 (.138)	9.70 (.382)	7.70 (.303)	13.50 (.531)	10.50 (.413)
3	51114-0300	51114-0310	19.70 (.776)	7.00 (.276)	13.20 (.520)	11.20 (.441)	17.00 (.669)	14.00 (.551)
4	51114-0400	51114-0410	23.20 (.913)	10.50 (.413)	16.70 (.657)	14.70 (.579)	20.50 (.807)	17.50 (.689)
5	51114-0500	51114-0510	26.70 (1.051)	14.00 (.551)	20.20 (.795)	18.20 (.717)	24.00 (.945)	21.00 (.827)
6	51114-0600	51114-0610	30.20 (1.189)	17.50 (.689)	23.70 (.933)	21.70 (.854)	27.50 (1.083)	24.50 (.965)
7	51114-0700	51114-0710	33.70 (1.327)	21.00 (.827)	27.20 (1.071)	25.20 (.992)	31.00 (1.220)	28.00 (1.102)
8	51114-0800	51114-0810	37.20 (1.465)	24.50 (.965)	30.70 (1.209)	28.70 (1.130)	34.50 (1.358)	31.50 (1.240)
9	51114-0900	51114-0910	40.70 (1.602)	28.00 (1.102)	34.20 (1.346)	32.20 (1.268)	38.00 (1.496)	35.00 (1.378)
10	51114-1000	51114-1010	44.20 (1.740)	31.50 (1.240)	37.70 (1.484)	35.70 (1.406)	41.50 (1.634)	38.50 (1.516)

FEATURES AND SPECIFICATIONS

Features and Benefits

- Four points of contact
- Housing lance holds terminal securely in place

Reference Information

Packaging: Reel or Bag
 Use With: 51067 and 35156 housings
 Designed In: Millimeters

Electrical

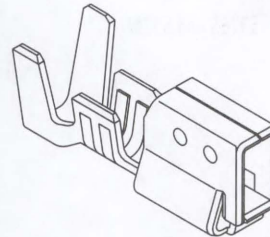
Voltage: 250V
 Current: 5.5A max. (3.50mm pitch)
 6.0A max. (7.00mm pitch)
 7.0A max. (3.96mm pitch)

Physical

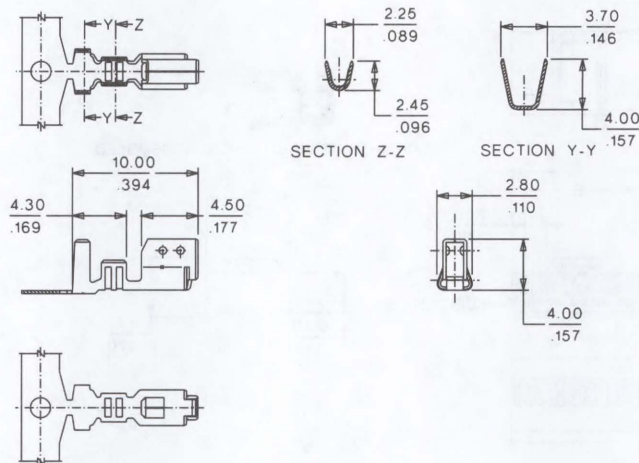
Contact: 50217-8X00—Phosphor Bronze
 50217-9X01—Brass
 Plating: Tin
 Wire Range: 18 to 24 AWG
 Insulation Range: 1.40 to 3.00mm dia.
 Strip Length: 3.00 to 3.50mm

molex® 3.50mm (.138") Pitch and 3.96mm (.156") Pitch Wire-to-Board Crimp Terminal

50217



CATALOG DRAWING (FOR REFERENCE ONLY)



ORDERING INFORMATION

Order No.	Terminal
50217-8000	Reel
50217-9001	
50217-8100	Bag
50217-9101	

3.00 to 7.92mm (.118 to .312") Pitch

D

FEATURES AND SPECIFICATIONS

Features and Benefits

- Sizes 2 to 15 circuits
- Side walls protect latch and facilitate mating
- Housing lance provides secure terminal retention

Reference Information

Packaging: Bag
 UL File No.: E29179
 CSA File No.: LR19980
 Mates With: 53258, 53259, 53265 and 53266
 Use With: 50217
 Designed In: Millimeters

Electrical

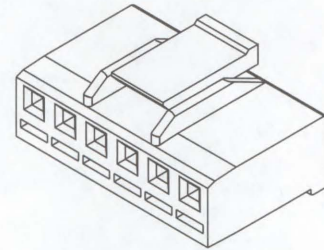
Voltage: 250V
 Current: 5.5A max. (3.50mm pitch)
 6.0A max. (7.00mm pitch)
 Contact Resistance: 10mΩ max.
 Dielectric Withstanding Voltage: 1500V AC/1 min.
 Insulation Resistance: 1000 MΩ min.

Physical

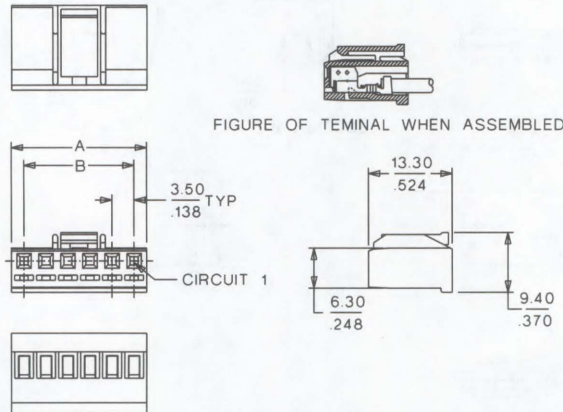
Housing: PBTP, UL 94V-0
 Operating Temperature: -40 to +105°C

molex® 3.50mm (.138") Pitch Wire-to-Board Housing

51067 Positive Lock



CATALOG DRAWING (FOR REFERENCE ONLY)



ORDERING INFORMATION AND DIMENSIONS

Circuits	Order No.	Dimension	
		A	B
2	51067-0200	7.50 (.295)	3.50 (.138)
3	51067-0300	11.00 (.433)	7.00 (.276)
4	51067-0400	14.50 (.571)	10.50 (.413)
5	51067-0500	18.00 (.709)	14.00 (.551)
6	51067-0600	21.50 (.846)	17.50 (.689)
7	51067-0700	25.00 (.984)	21.00 (.827)
8	51067-0800	28.50 (1.122)	24.50 (.965)
9	51067-0900	32.00 (1.260)	28.00 (1.102)
10	51067-1000	35.50 (1.398)	31.50 (1.240)
11	51067-1100	39.00 (1.535)	35.00 (1.378)
12	51067-1200	42.50 (1.673)	38.50 (1.516)
13	51067-1300	46.00 (1.811)	42.00 (1.654)
14	51067-1400	49.50 (1.949)	45.50 (1.791)
15	51067-1500	53.00 (2.087)	49.00 (1.929)

3.00 to 7.92mm (.118 to .312") Pitch

D

FEATURES AND SPECIFICATIONS

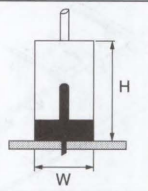
Features and Benefits

- Sizes 2 to 15 circuits
- Phosphor Bronze or Brass contact
- Guide slots facilitate mating

Reference Information

Packaging: Tray
 UL File No.: E29179
 CSA File No.: LR19980
 Mates With: 51067
 Designed In: Millimeters

Mating Dimensions
 53258/51067/50217
 H=16.5mm W=9.4mm



Electrical

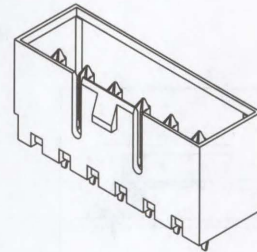
Voltage: 250V
 Current: 53258-XX10—4.5A
 53258-XX20—5.5A
 Contact Resistance: 10mΩ max.
 Dielectric Withstanding Voltage: 1500V AC/1 min.
 Insulation Resistance: 1000 MΩ min.

Physical

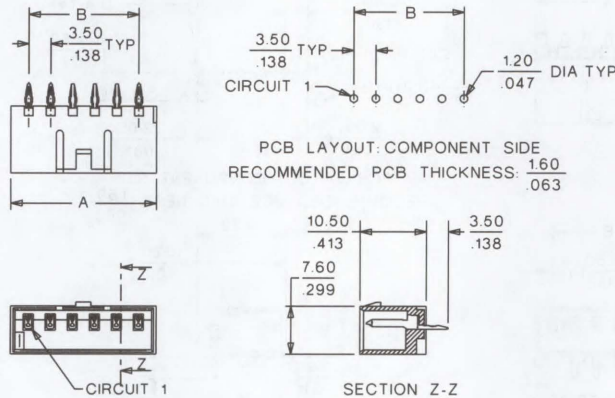
Housing: Glass-filled PBTP
 Contact: 53258-XX10—Phosphor Bronze
 53258-XX20—Brass
 Plating: Tin
 Operating Temperature: -40 to +105°C

molex® 3.50mm (.138") Pitch Wire-to-Board Header

53258 Vertical



CATALOG DRAWING (FOR REFERENCE ONLY)



ORDERING INFORMATION AND DIMENSIONS

Circuits	Order No.		Dimension	
	Phosphor Bronze	Brass	A	B
2	53258-0210	53258-0220	9.10 (.358)	3.50 (.138)
3	53258-0310	53258-0320	12.60 (.496)	7.00 (.276)
4	53258-0410	53258-0420	16.10 (.634)	10.50 (.413)
5	53258-0510	53258-0520	19.60 (.772)	14.00 (.551)
6	53258-0610	53258-0620	23.10 (.909)	17.50 (.689)
7	53258-0710	53258-0720	26.60 (1.047)	21.00 (.827)
8	53258-0810	53258-0820	30.10 (1.185)	24.50 (.965)
9	53258-0910	53258-0920	33.60 (1.323)	28.00 (1.102)
10	53258-1010	53258-1020	37.10 (1.461)	31.50 (1.240)
11	53258-1110	53258-1120	40.60 (1.598)	35.00 (1.378)
12	53258-1210	53258-1220	44.10 (1.736)	38.50 (1.516)
13	53258-1310	53258-1320	47.60 (1.874)	42.00 (1.654)
14	53258-1410	53258-1420	51.10 (2.012)	45.50 (1.791)
15	53258-1510	53258-1520	54.60 (2.150)	49.00 (1.929)

D
3.00 to 7.92mm (.118 to .312") Pitch

FEATURES AND SPECIFICATIONS

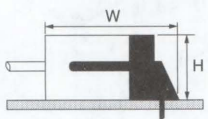
Features and Benefits

- Sizes 2 to 15 circuits
- Phosphor Bronze or Brass contact
- PCB pegs provide placement guidance
- Guide slots facilitate mating

Reference Information

Packaging: Tray
 UL File No.: E29179
 CSA File No.: LR19980
 Mates With: 51067
 Designed In: Millimeters

Mating Dimensions
 53259/51067/50217
 H=9.7mm W=20.2mm



Electrical

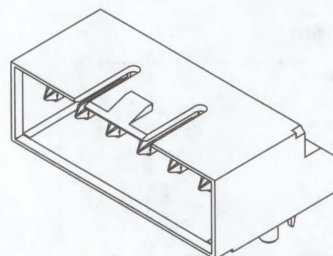
Voltage: 250V
 Current: 53259-XX10—4.5A
 53259-XX20—5.5A
 Contact Resistance: 10mΩ max.
 Dielectric Withstanding Voltage: 1500V AC/1 min.
 Insulation Resistance: 1000 MΩ min.

Physical

Housing: Glass-filled PBTP
 Contact: 53259-XX10—Phosphor Bronze
 53259-XX20—Brass
 Plating: Tin
 Operating Temperature: -40 to +105°C

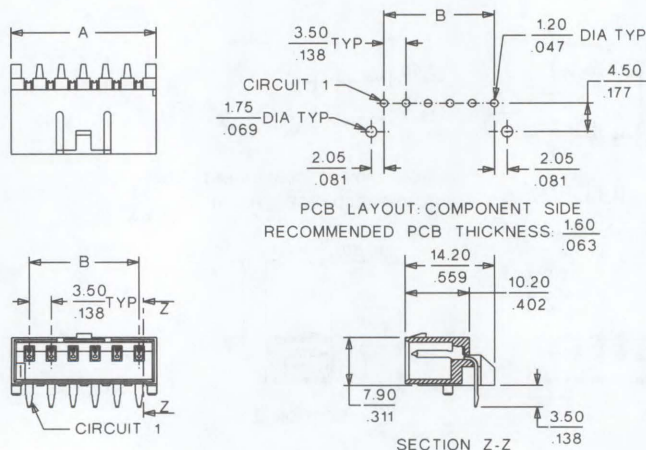
molex® 3.50mm (.138") Pitch Wire-to-Board Header

53259 Right Angle



D
 3.00 to 7.92mm (.118 to .312") Pitch

CATALOG DRAWING (FOR REFERENCE ONLY)



ORDERING INFORMATION AND DIMENSIONS

Circuits	Order No.		Dimension	
	Phosphor Bronze	Brass	A	B
2	53259-0210	53259-0220	9.10 (.358)	3.50 (.138)
3	53259-0310	53259-0320	12.60 (.496)	7.00 (.276)
4	53259-0410	53259-0420	16.10 (.634)	10.50 (.413)
5	53259-0510	53259-0520	19.60 (.772)	14.00 (.551)
6	53259-0610	53259-0620	23.10 (.909)	17.50 (.689)
7	53259-0710	53259-0720	26.60 (1.047)	21.00 (.827)
8	53259-0810	53259-0820	30.10 (1.185)	24.50 (.965)
9	53259-0910	53259-0920	33.60 (1.323)	28.00 (1.102)
10	53259-1010	53259-1020	37.10 (1.461)	31.50 (1.240)
11	53259-1110	53259-1120	40.60 (1.598)	35.00 (1.378)
12	53259-1210	53259-1220	44.10 (1.736)	38.50 (1.516)
13	53259-1310	53259-1320	47.60 (1.874)	42.00 (1.654)
14	53259-1410	53259-1420	51.10 (2.012)	45.50 (1.791)
15	53259-1510	53259-1520	54.60 (2.150)	49.00 (1.929)

FEATURES AND SPECIFICATIONS

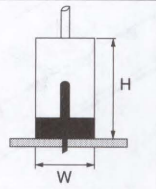
Features and Benefits

- Sizes 2 to 8 circuits
- Phosphor Bronze or Brass contact
- Guide slots facilitate mating

Reference Information

Packaging: Tray
 UL File No.: E29179
 CSA File No.: LR19980
 Mates With: 51067
 Designed In: Millimeters

Mating Dimensions
 53265/51067/50217
 H=16.5mm W=9.4mm



Electrical

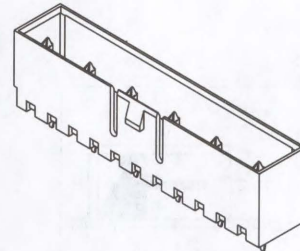
Voltage: 250V
 Current: 53265-XX10—5.0A
 53265-XX20—6.0A
 Contact Resistance: 10mΩ max.
 Dielectric Withstanding Voltage: 1500V AC/1 min.
 Insulation Resistance: 1000 MΩ min.

Physical

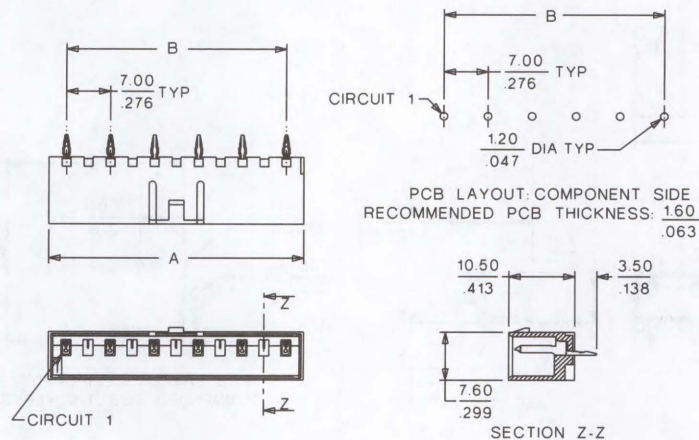
Housing: Glass-filled PBTP
 Contact: 53265-XX10—Phosphor Bronze
 53265-XX20—Brass
 Plating: Tin
 Operating Temperature: -40 to +105°C

molex® 7.00mm (.276") Pitch Wire-to-Board Header

53265 Vertical



CATALOG DRAWING (FOR REFERENCE ONLY)



ORDERING INFORMATION AND DIMENSIONS

Circuits	Order No.		Dimension	
	Phosphor Bronze	Brass	A	B
2	53265-0210	53265-0220	12.60 (.496)	7.00 (.276)
3	53265-0310	53265-0320	19.60 (.772)	14.00 (.551)
4	53265-0410	53265-0420	26.60 (1.047)	21.00 (.827)
5	53265-0510	53265-0520	33.60 (1.323)	28.00 (1.102)
6	53265-0610	53265-0620	40.60 (1.598)	35.00 (1.378)
7	53265-0710	53265-0720	47.60 (1.874)	42.00 (1.654)
8	53265-0810	53265-0820	54.60 (2.150)	49.00 (1.929)

D
 3.00 to 7.92mm (.118 to .312") Pitch

FEATURES AND SPECIFICATIONS

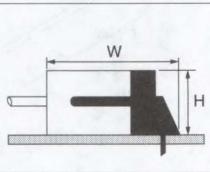
Features and Benefits

- Sizes 2 to 6 circuits
- Phosphor Bronze or Brass contact
- PCB pegs provide placement guidance
- Guide slots facilitate mating

Reference Information

Packaging: Tray
 UL File No.: E29179
 CSA File No.: LR19980
 Mates With: 51067
 Designed In: Millimeters

Mating Dimensions
 53266/51067/50217
 H=9.7mm W=20.2mm



Electrical

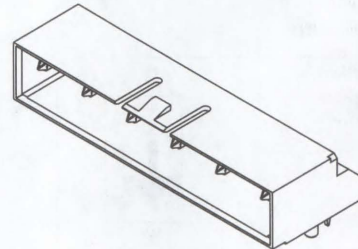
Voltage: 250V
 Current: 53266-XX10—5.0A
 53266-XX20—6.0A
 Contact Resistance: 10mΩ max.
 Dielectric Withstanding Voltage: 1500V AC/1 min.
 Insulation Resistance: 1000 MΩ min.

Physical

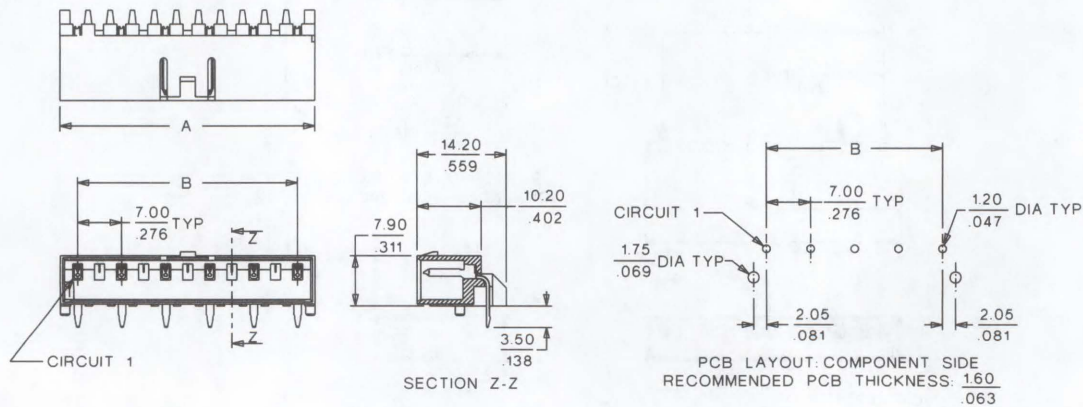
Housing: Glass-filled PBTP
 Contact: 53266-XX10—Phosphor Bronze
 53266-XX20—Brass
 Plating: Tin
 Operating Temperature: -40 to +105°C

molex® 7.00mm (.276") Pitch Wire-to-Board Header

53266 Right Angle



CATALOG DRAWING (FOR REFERENCE ONLY)



ORDERING INFORMATION AND DIMENSIONS

Circuits	Order No.		Dimension	
	Phosphor Bronze	Brass	A	B
2	53266-0210	53266-0220	12.60 (.496)	7.00 (.276)
3	53266-0310	53266-0320	19.60 (.772)	14.00 (.551)
4	53266-0410	53266-0420	26.60 (1.047)	21.00 (.827)
5	53266-0510	53266-0520	33.60 (1.323)	28.00 (1.102)
6	53266-0610	53266-0620	40.60 (1.598)	35.00 (1.378)

D
3.00 to 7.92mm (.118 to .312") Pitch

FEATURES AND SPECIFICATIONS

Features and Benefits

- Sizes 2 to 12 circuits
- Polarized
- Low profile

Reference Information

Product Specification: PS-35156
 Packaging: Bag
 UL File No.: E29179
 CSA File No.: LR19980
 Mates With: 35313 and 35328 header
 Use With: 50217 terminal
 Designed In: Millimeters

Electrical

Voltage: 250V
 Current: 7.0A
 Contact Resistance: 10mΩ max.
 Dielectric Withstanding Voltage: 1500V
 Insulation Resistance: 1000 MΩ min.

Mechanical

Contact Insertion Force: 14.7N (3.3 lb) max.
 Contact Retention to Housing: 24.5N (5.5 lb) min.
 Mating Force: 5 circuits—49.0N (11.0 lb) max.
 Unmating Force: 5 circuits—2.9N (0.7 lb) min.
 Durability: 30 cycles

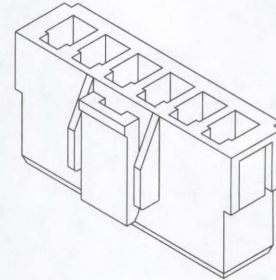
Physical

Housing: Polyester, UL 94V-0
 Operating Temperature: -40 to +105°C

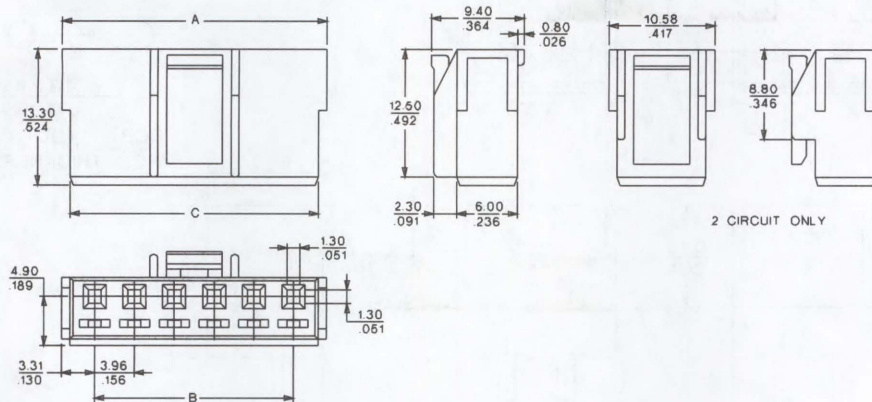
molex® 3.96mm (.156") Pitch Wire-to-Board Housing

35156

Positive Locking



CATALOG DRAWING (FOR REFERENCE ONLY)



ORDERING INFORMATION AND DIMENSIONS

Circuits	Order No.	Dimension		
		A	B	C
2	35156-0200	10.58 (.417)	3.96 (.156)	8.88 (.350)
3	35156-0300	14.54 (.572)	7.92 (.312)	12.84 (.506)
4	35156-0400	18.50 (.728)	11.88 (.468)	16.80 (.661)
5	35156-0500	22.46 (.884)	15.84 (.624)	20.76 (.817)
6	35156-0600	26.42 (1.040)	19.80 (.780)	24.72 (.973)
7	35156-0700	30.38 (1.196)	23.76 (.935)	28.68 (1.129)
8	35156-0800	34.34 (1.352)	27.72 (1.091)	32.64 (1.285)
9	35156-0900	38.30 (1.508)	31.68 (1.247)	36.60 (1.441)
10	35156-1000	42.26 (1.664)	35.64 (1.403)	40.56 (1.597)
11	35156-1100	46.22 (1.820)	39.60 (1.559)	44.52 (1.753)
12	35156-1200	50.18 (1.976)	43.56 (1.715)	48.48 (1.909)

3.00 to 7.92mm (.118 to .312") Pitch

D

FEATURES AND SPECIFICATIONS

Features and Benefits

- Sizes 2 to 12 circuits
- Low profile
- 1.14mm (.045") square wire pins
- Positive lock

Reference Information

Product Specification: PS-35313
 Packaging: Bag and tube
 UL File No.: E29179
 CSA File No.: LR19980
 Mates With: 35156 housing
 Designed In: Millimeters

Electrical

Voltage: 250V
 Current: 7.0A
 Contact Resistance: 10mΩ max.
 Dielectric Withstanding Voltage: 1500V
 Insulation Resistance: 1000 MΩ min.

Mechanical

Contact Insertion Force: 14.7N (3.3 lb) max.
 Contact Retention to Housing: 24.5N (5.5 lb) min.
 Mating Force: 5 circuits—49.0N (11.0 lb) max.
 Unmating Force: 5 circuits—2.9N (0.7 lb) min.
 Durability: 30 cycles

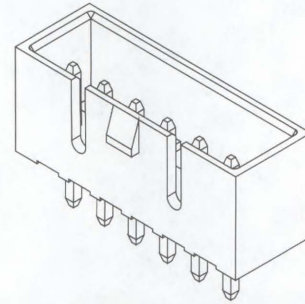
Physical

Housing: 6/6 nylon, UL 94V-0
 Contact: Brass
 Plating: Tin
 Operating Temperature: -40 to +105°C

molex® 3.96mm (.156") Pitch Wire-to-Board Header

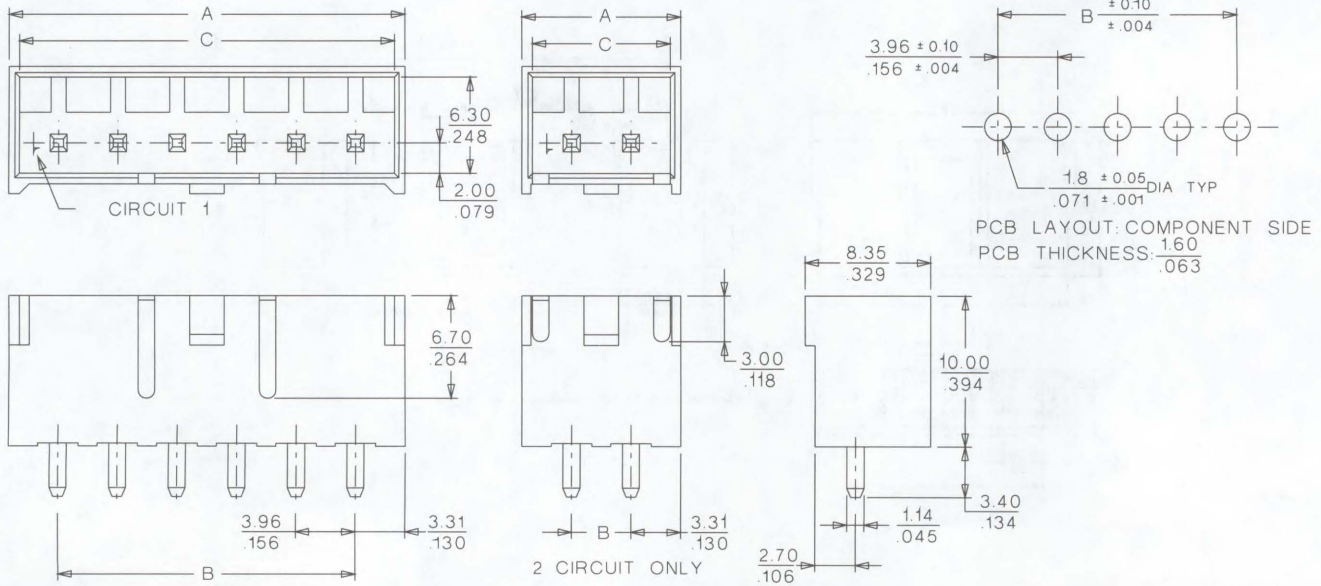
35313

Vertical Fully Shrouded



3.00 to 7.92mm (.118 to .312") Pitch

CATALOG DRAWING (FOR REFERENCE ONLY)



ORDERING INFORMATION AND DIMENSIONS

Circuits	Order No.	Dimension		
		A	B	C
2	35313-0210	10.58 (.417)	3.96 (.156)	9.18 (.361)
3	35313-0310	14.54 (.572)	7.92 (.312)	13.14 (.517)
4	35313-0410	18.50 (.728)	11.88 (.468)	17.10 (.673)
5	35313-0510	22.46 (.884)	15.84 (.624)	21.06 (.829)
6	35313-0610	26.42 (1.040)	19.80 (.780)	25.02 (.985)
7	35313-0710	30.38 (1.196)	23.76 (.935)	28.98 (1.141)
8	35313-0810	34.34 (1.352)	27.72 (1.091)	32.94 (1.297)
9	35313-0910	38.30 (1.508)	31.68 (1.247)	36.90 (1.453)
10	35313-1010	42.26 (1.664)	35.64 (1.403)	40.86 (1.609)
11	35313-1110	46.22 (1.820)	39.60 (1.559)	44.82 (1.765)
12	35313-1210	50.18 (1.976)	43.56 (1.715)	48.78 (1.920)

FEATURES AND SPECIFICATIONS

Features and Benefits

- Four points of contact for optimum reliability
- Box design protects contact area
- Housing lance feature provides audible click when terminal is fully seated

Reference Information

Packaging: Reel or bag
 Use With: 51144
 Designed In: Millimeters

Electrical

Voltage: 250V
 Current: 6.0A
 Contact Resistance: 10mΩ max.
 Dielectric Withstanding Voltage: 1500V AC/1 min.
 Insulation Resistance: 1000 MΩ min.

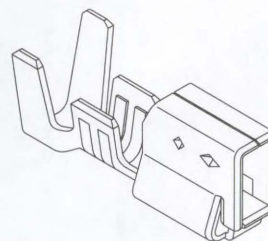
Physical

Contact: Phosphor Bronze
 Plating: Tin
 Wire Range: 18 to 24 AWG
 Insulation Diameter: 1.4 to 3.0mm
 Strip Length: 3.0 to 3.5mm

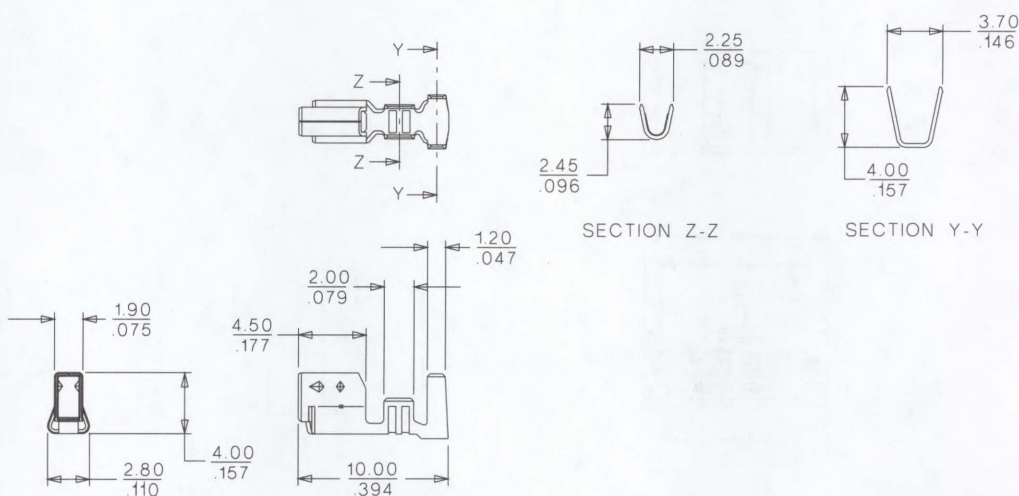


3.96mm (.156") Pitch Wire-to-Board Terminal

50539



CATALOG DRAWING (FOR REFERENCE ONLY)



ORDERING INFORMATION

Order No.	Packaging
50539-8000	Reel
50539-8100	Bag

D

3.00 to 7.92mm (.118 to .312") Pitch

FEATURES AND SPECIFICATIONS

Features and Benefits

- Sizes 2 to 15 circuits
- Positive lock provides secure mating retention
- Housing lance holds terminal firmly in place

Reference Information

Packaging: Bag
 UL File No.: E29179
 Mates With: 53520 and 53521
 Use With: 50539 terminal
 Designed In: Millimeters

Electrical

Voltage: 250V
 Current: 6.0A
 Contact Resistance: 10mΩ max.
 Dielectric Withstanding Voltage: 1500V AC/1 min.
 Insulation Resistance: 1000 MΩ min.

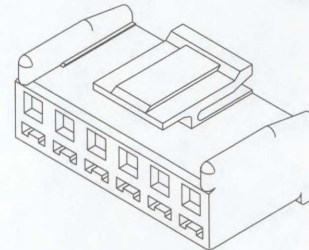
Physical

Housing: PBTP, UL 94V-0
 Operating Temperature: -40 to +105°C

molex® 3.96mm (.156") Pitch Wire-to-Board Receptacle

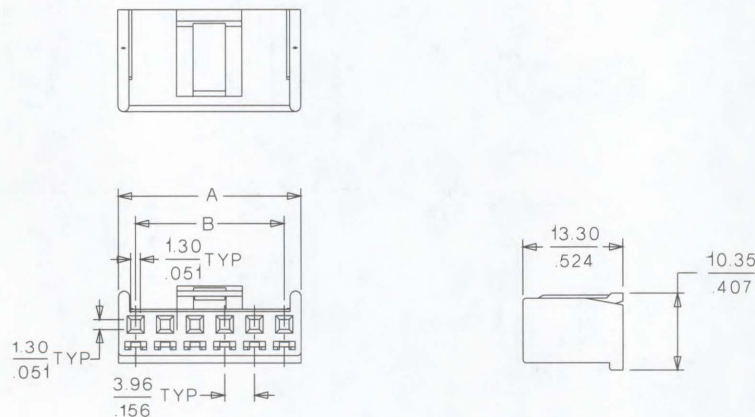
51144

Positive Lock



D
3.00 to 7.92mm (.118 to .312") Pitch

CATALOG DRAWING (FOR REFERENCE ONLY)



ORDERING INFORMATION AND DIMENSIONS

Circuits	Order No.	Dimension	
		A	B
2	51144-0200	8.48 (.330)	3.96 (.150)
3	51144-0300	12.44 (.480)	7.92 (.310)
4	51144-0400	16.40 (.640)	11.88 (.460)
5	51144-0500	20.36 (.800)	15.84 (.620)
6	51144-0600	24.32 (.950)	19.80 (.770)
7	51144-0700	28.28 (1.110)	23.76 (.930)
8	51144-0800	32.24 (1.260)	27.72 (1.090)
9	51144-0900	36.20 (1.420)	31.68 (1.240)
10	51144-1000	40.16 (1.580)	35.64 (1.400)
11	51144-1100	44.12 (1.730)	39.60 (1.550)
12	51144-1200	48.08 (1.890)	43.56 (1.710)
13	51144-1300	52.04 (2.040)	47.52 (1.870)
14	51144-1400	56.00 (2.200)	51.48 (2.020)
15	51144-1500	59.96 (2.360)	55.44 (2.180)

FEATURES AND SPECIFICATIONS

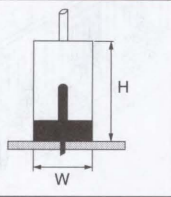
Features and Benefits

- Sizes 2 to 15 circuits
- "Accordion" style slots in wafer base enable it to expand and contract to avoid solder cracking
- Positive lock ensures secure retention
- Optional PCB peg for additional retention strength

Reference Information

Packaging: Bag
 UL File No.: E29179
 Mates With: 51144 housing
 Designed In: Millimeters

Mating Dimensions
 53520/51144/50539
 H=16.5mm W=10.35mm



Electrical

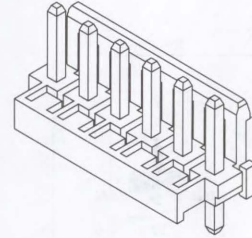
Voltage: 250V
 Current: 6.0A
 Contact Resistance: 10mΩ max.
 Dielectric Withstanding Voltage: 1500V
 Insulation Resistance: 1000 MΩ min.

Physical

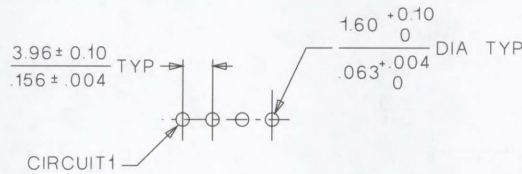
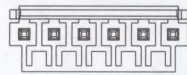
Housing: 6/6 nylon, UL 94V-0
 Contact: Phosphor Bronze
 Plating: Tin
 Operating Temperature: -40 to +105°C

molex® 3.96mm (.156") Pitch Wire-to-Board Header

53520 Vertical Expandable Base

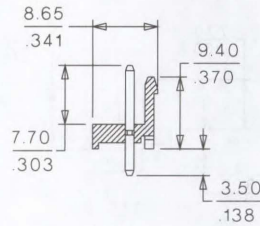
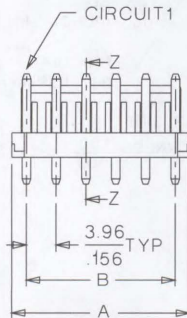


CATALOG DRAWING (FOR REFERENCE ONLY)



PCB LAYOUT: COMPONENT SIDE

RECOMMENDED PCB THICKNESS: $\frac{1.60 \pm 0.05}{.063 \pm .002}$



SECTION Z-Z

ORDERING INFORMATION AND DIMENSIONS

Circuits	Order No.	Dimension	
		A	B
2	53520-0220	7.86 (.309)	3.96 (.156)
3	53520-0320	11.82 (.465)	7.92 (.312)
4	53520-0420	15.78 (.621)	11.88 (.468)
5	53520-0520	19.74 (.777)	15.84 (.624)
6	53520-0620	23.70 (.933)	19.80 (.780)
7	53520-0720	27.66 (1.089)	23.76 (.935)
8	53520-0820	31.62 (1.245)	27.72 (1.091)
9	53520-0920	35.58 (1.401)	31.68 (1.247)
10	53520-1020	39.54 (1.557)	35.64 (1.403)
11	53520-1120	43.50 (1.713)	39.60 (1.559)
12	53520-1220	47.46 (1.869)	43.56 (1.715)
13	53520-1320	51.42 (2.024)	47.52 (1.871)
14	53520-1420	55.38 (2.180)	51.48 (2.027)
15	53520-1520	59.34 (2.336)	55.44 (2.183)

D
 3.00 to 7.92mm (.118 to .312") Pitch

FEATURES AND SPECIFICATIONS

Features and Benefits

- Sizes 2 to 8 circuits
- "Accordion" style slots in header base enable it to expand and contract to prevent solder cracking
- Positive lock ensures secure retention
- Optional PCB peg for additional retention strength

Reference Information

Packaging: Bag
 UL File No.: E29179
 CSA File No.: LR19980
 Mates With: 51144 housing
 Designed In: Millimeters

Electrical

Voltage: 250V
 Current: 6.0A
 Contact Resistance: 10mΩ max.
 Dielectric Withstanding Voltage: 1500V AC/1 min.
 Insulation Resistance: 1000 MΩ min.

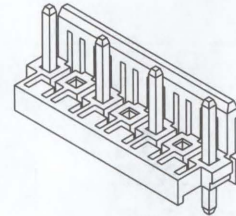
Physical

Housing: 6/6 nylon, UL 94V-0
 Contact: Phosphor Bronze
 Plating: Tin over Copper
 Operating Temperature: -40 to +105°C

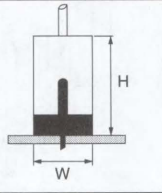
molex® 7.92mm (.312") Pitch Wire-to-Board Header

53521

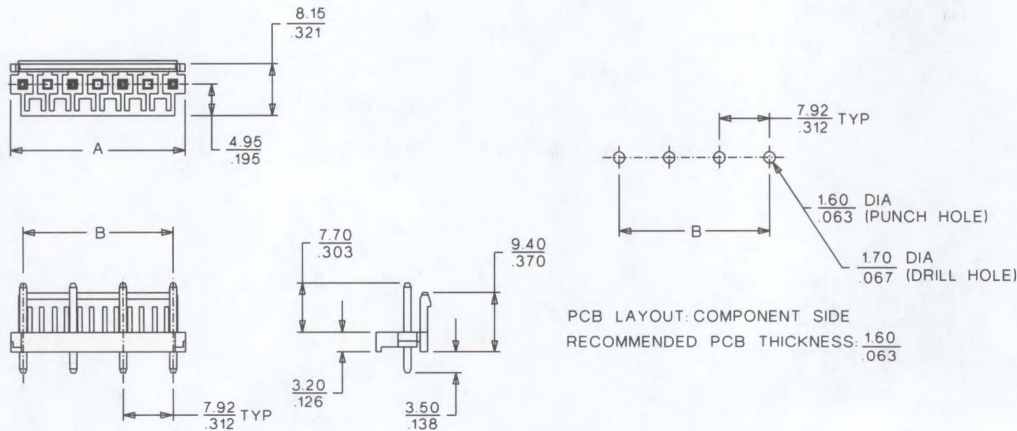
Vertical Expandable Base



Mating Dimensions
 53521/51144/50539
 H=16.5mm W=10.35mm



CATALOG DRAWING (FOR REFERENCE ONLY)



ORDERING INFORMATION AND DIMENSIONS

Circuits	Order No.	Dimension	
		A	B
2	53521-0240	11.82 (.465)	7.92 (.312)
3	53521-0340	19.74 (.777)	15.84 (.624)
4	53521-0440	27.66 (1.089)	23.76 (.935)
5	53521-0540	35.58 (1.401)	31.68 (1.247)
6	53521-0640	43.50 (1.713)	39.60 (1.559)
7	53521-0740	51.42 (2.024)	47.52 (1.871)
8	53521-0840	59.34 (2.336)	55.44 (2.183)

FEATURES AND SPECIFICATIONS

Features and Benefits

- Double cantilever design provides high contact pressure
- Box shroud prevents contamination to the contact surface

Reference Information

Product Specification: PS-35978-001 and PS-35979-001

Packaging: Reel

Use With: 35977

Designed In: Millimeters

Electrical

Voltage: 250V

Current:

AWG	18	20
Amperes	7.0	6.0

Contact Resistance: 10mΩ max.

Dielectric Withstanding Voltage: 1500V

Insulation Resistance: 500 MΩ min.

Mechanical

Contact Insertion Force: 14.7N (3.3 lb) max.

Contact Retention to Housing: 24.5N (5.5 lb) min.

Wire Pull-Out Force: 18 AWG—88.3N (19.8 lb) min.

Mating Force: 98.1N (22.0 lb) max.

Unmating Force: 5.9N (1.3 lb) min.

Durability: 30 cycles

Physical

Contact: Brass

Plating: Contact Area—Tin

Underplating—Copper

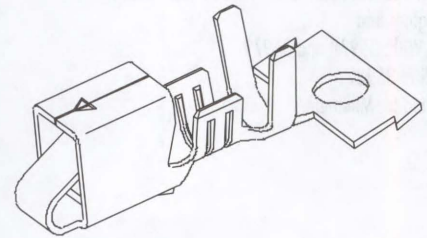
Insulation Diameter: 3.00mm (.118") max.

Wire Gauge: 18 to 20 AWG



3.96mm (.156") Pitch Wire-to-Board Terminal

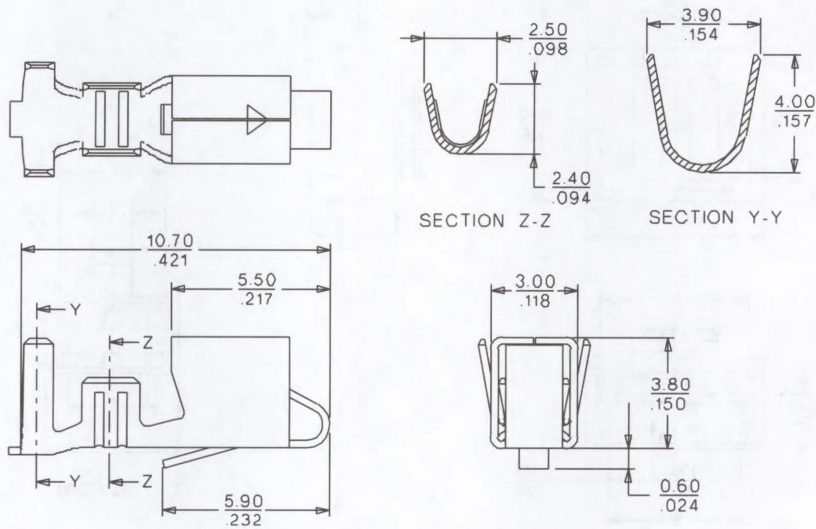
35922



D

3.00 to 7.92mm (.118 to .312") Pitch

CATALOG DRAWING (FOR REFERENCE ONLY)



ORDERING INFORMATION

Order No.
35922-9002

FEATURES AND SPECIFICATIONS

Features and Benefits

- Sizes 2 to 10 circuits
- Positive lock provides secure mating retention
- Polarization prevents mismatching

Reference Information

Product Specification: PS-35978-001 and PS-35979-001

Packaging: Bag

Mates With: 35978 and 35979

Use With: 35922

Designed In: Millimeters

Electrical

Voltage: 250V

Current: 7.0A

Contact Resistance: 10mΩ max.

Dielectric Withstanding Voltage: 1500V

Insulation Resistance: 500 MΩ min.

Mechanical

Contact Insertion Force: 14.7N (3.3 lb) max.

Contact Retention to Housing: 24.5N (5.5 lb) min.

Mating Force: 98.1N (22.0 lb) max.

Unmating Force: 5.9N (1.3 lb) min.

Durability: 30 cycles

Physical

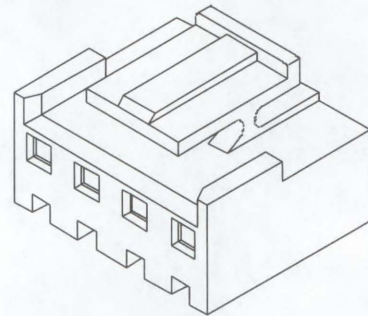
Housing: PA66, UL 94V-0

Operating Temperature: -25 to +85°C

molex® 3.96mm (.156") Pitch Wire-to-Board Housing

35977

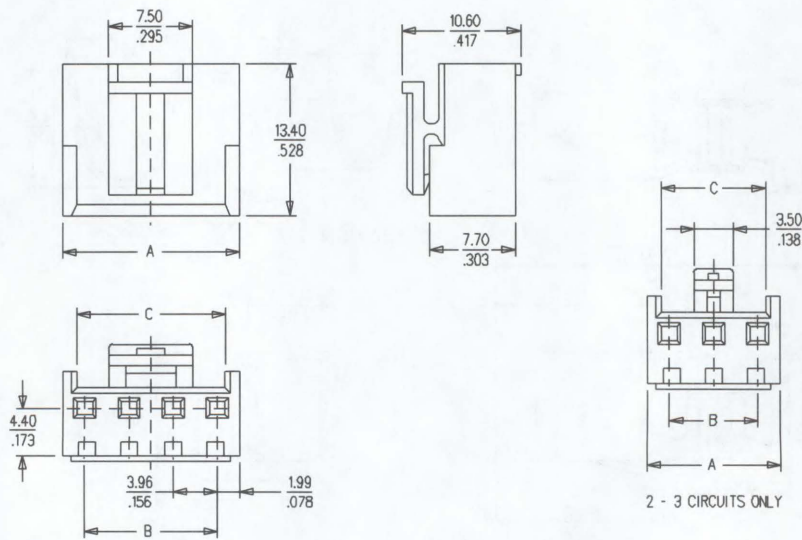
Positive Lock



3.00 to 7.92mm (.118 to .312") Pitch

D

CATALOG DRAWING (FOR REFERENCE ONLY)



ORDERING INFORMATION AND DIMENSIONS

Circuits	Order No.			Dimension		
	White	Red	Blue	A	B	C
2	35977-0200	35977-0202	35977-0204	7.94 (.313)	3.96 (.156)	5.40 (.213)
3	35977-0300	35977-0302	35977-0304	11.90 (.469)	7.92 (.312)	9.36 (.369)
4	35977-0400	35977-0402	35977-0404	15.86 (.624)	11.88 (.468)	13.32 (.524)
5	35977-0500	35977-0502	35977-0504	19.82 (.780)	15.84 (.624)	17.28 (.680)
6	35977-0600	35977-0602	35977-0604	23.78 (.936)	19.80 (.780)	21.24 (.836)
7	35977-0700	35977-0702	35977-0704	27.74 (1.092)	23.76 (.935)	25.20 (.992)
8	35977-0800	35977-0802	35977-0804	31.70 (1.248)	27.72 (1.091)	29.16 (1.148)
9	35977-0900	35977-0902	35977-0904	35.66 (1.404)	31.68 (1.247)	33.12 (1.304)
10	35977-1000	35977-1002	35977-1004	39.62 (1.560)	35.64 (1.403)	37.08 (1.460)

FEATURES AND SPECIFICATIONS

Features and Benefits

- Sizes 2 to 10 circuits
- Polarization prevents mismatching
- Low profile for tight packing applications

Reference Information

Product Specification: PS-35978-001
 Packaging: Bag
 Mates With: 35977
 Designed In: Millimeters

Electrical

Voltage: 250V
 Current: 7.0A
 Contact Resistance: 10mΩ max.
 Dielectric Withstanding Voltage: 1500V
 Insulation Resistance: 500 MΩ min.

Mechanical

Mating Force: 98.1N (22.0 lb) max.
 Unmating Force: 5.9N (1.3 lb) min.
 Durability: 30 cycles

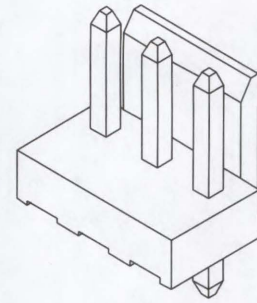
Physical

Housing: PA66, UL 94V-0
 Contact: Brass
 Plating: Tin/Lead
 Operating Temperature: -25 to +85°C

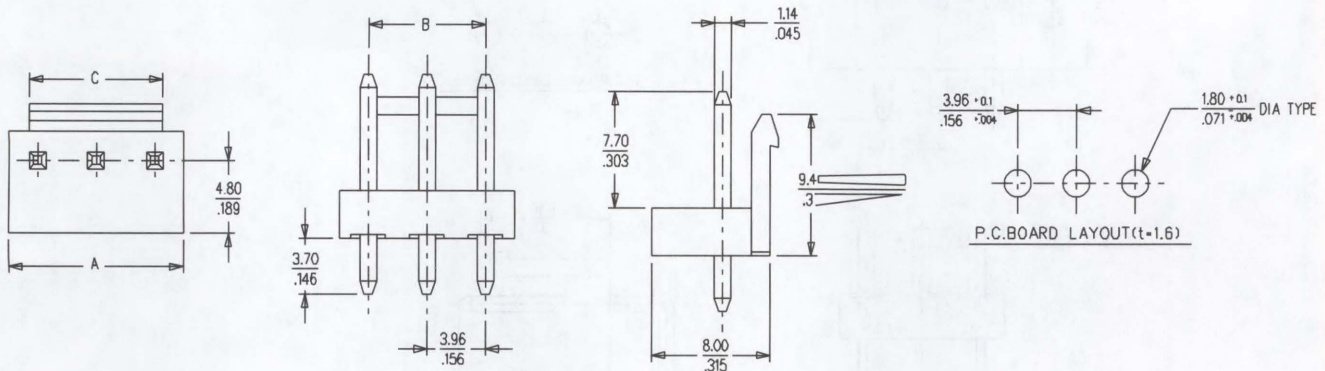
molex® 3.96mm (.156") Pitch Wire-to-Board Header

35978

Vertical



CATALOG DRAWING (FOR REFERENCE ONLY)



ORDERING INFORMATION AND DIMENSIONS

Circuits	Order No.			Dimension		
	White	Red	Blue	A	B	C
2	35978-0210	35978-0212	35978-0214	7.92 (.312)	3.96 (.156)	5.02 (.198)
3	35978-0310	35978-0312	35978-0314	11.88 (.468)	7.92 (.312)	8.98 (.354)
4	35978-0410	35978-0412	35978-0414	15.84 (.624)	11.88 (.468)	12.94 (.509)
5	35978-0510	35978-0512	35978-0514	19.80 (.780)	15.84 (.624)	16.90 (.665)
6	35978-0610	35978-0612	35978-0614	23.76 (.935)	19.80 (.780)	20.86 (.821)
7	35978-0710	35978-0712	35978-0714	27.72 (1.091)	23.76 (.935)	24.82 (.977)
8	35978-0810	35978-0812	35978-0814	31.68 (1.247)	27.72 (1.091)	28.78 (1.133)
9	35978-0910	35978-0912	35978-0914	35.64 (1.403)	31.68 (1.247)	32.74 (1.289)
10	35978-1010	35978-1012	35978-1014	39.60 (1.559)	35.64 (1.403)	36.70 (1.445)

D
3.00 to 7.92mm (.118 to .312") Pitch

FEATURES AND SPECIFICATIONS

Features and Benefits

- Sizes 2 to 10 circuits
- Polarization prevents mismatching
- Low profile for tight packing applications

Reference Information

Product Specification: PS-35978-001

Packaging: Bag

Mates With: 35977

Designed In: Millimeters

Electrical

Voltage: 250V

Current: 7.0A

Contact Resistance: 10mΩ max.

Dielectric Withstanding Voltage: 1500V

Insulation Resistance: 500 MΩ min.

Mechanical

Mating Force: 98.1N (22.0 lb) max.

Unmating Force: 5.9N (1.3 lb) min.

Durability: 30 cycles

Physical

Housing: PA66, UL 94V-0

Contact: Brass

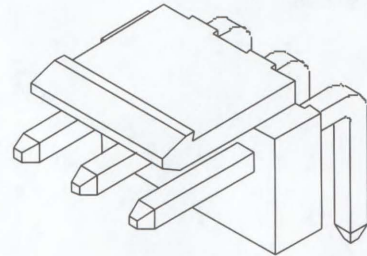
Plating: Tin/Lead

Operating Temperature: -25 to +85°C

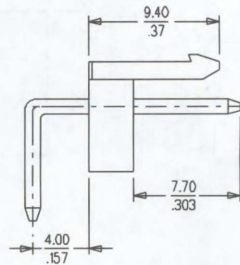
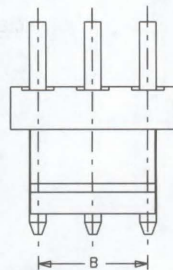
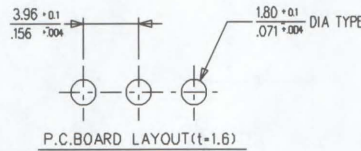
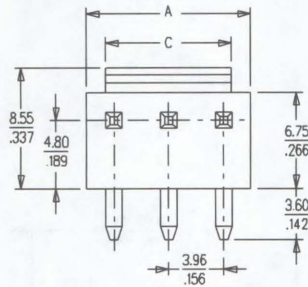
molex® 3.96mm (.156") Pitch Wire-to-Board Header

35978

Right Angle



CATALOG DRAWING (FOR REFERENCE ONLY)



ORDERING INFORMATION AND DIMENSIONS

Circuits	Order No.			Dimension		
	White	Red	Blue	A	B	C
2	35978-0220	35978-0222	35978-0224	7.92 (.312)	3.96 (.156)	5.02 (.198)
3	35978-0320	35978-0322	35978-0324	11.88 (.468)	7.92 (.312)	8.98 (.354)
4	35978-0420	35978-0422	35978-0424	15.84 (.624)	11.88 (.468)	12.94 (.509)
5	35978-0520	35978-0522	35978-0524	19.80 (.780)	15.84 (.624)	16.90 (.665)
6	35978-0620	35978-0622	35978-0624	23.76 (.935)	19.80 (.780)	20.86 (.821)
7	35978-0720	35978-0722	35978-0724	27.72 (1.091)	23.76 (.935)	24.82 (.977)
8	35978-0820	35978-0822	35978-0824	31.68 (1.247)	27.72 (1.091)	28.78 (1.133)
9	35978-0920	35978-0922	35978-0924	35.64 (1.403)	31.68 (1.247)	32.74 (1.289)
10	35978-1020	35978-1022	35978-1024	39.60 (1.559)	35.64 (1.403)	36.70 (1.445)

3.00 to 7.92mm (.118 to .312") Pitch

D

FEATURES AND SPECIFICATIONS

Features and Benefits

- Sizes 2 to 5 circuits
- Polarization prevents mismatching
- Low profile for tight packing applications

Reference Information

Product Specification: PS-35979-001

Packaging: Bag

Mates With: 35977

Designed In: Millimeters

Electrical

Voltage: 250V

Current: 7.0A

Contact Resistance: 10mΩ max.

Dielectric Withstanding Voltage: 1500V

Insulation Resistance: 500 MΩ min.

Mechanical

Mating Force: 49.0N (11.0 lb) max.

Unmating Force: 2.9N (0.7 lb) min.

Durability: 30 cycles

Physical

Housing: PA66, UL 94V-0

Contact: Brass

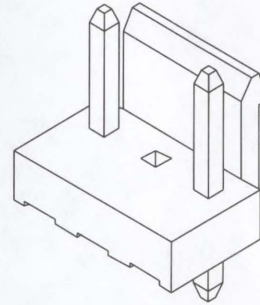
Plating: Tin/Lead

Operating Temperature: -25 to +85°C

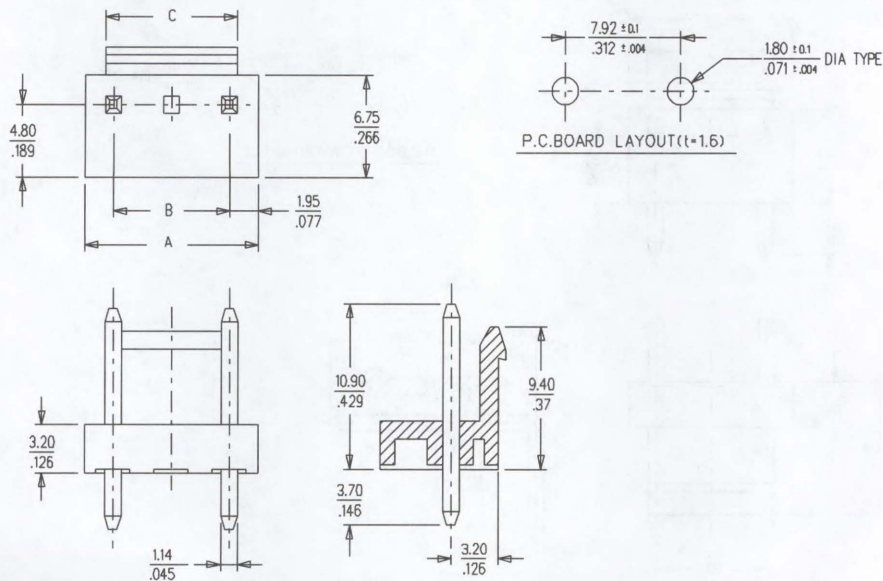
molex® 7.92mm (.312") Pitch Wire-to-Board Header

35979

Vertical



CATALOG DRAWING (FOR REFERENCE ONLY)



ORDERING INFORMATION AND DIMENSIONS

Circuits	Order No.			Dimension		
	White	Red	Blue	A	B	C
2	35979-0210	35979-0212	35979-0214	11.88 (.468)	7.92 (.312)	8.98 (.354)
3	35979-0310	35979-0312	35979-0314	19.80 (.780)	15.84 (.624)	16.90 (.665)
4	35979-0410	35979-0412	35979-0414	27.72 (1.091)	23.76 (.935)	24.82 (.977)
5	35979-0510	35979-0512	35979-0514	35.64 (1.403)	31.68 (1.247)	32.74 (1.289)

D
3.00 to 7.92mm (.118 to .312") Pitch

FEATURES AND SPECIFICATIONS

Features and Benefits

- Sizes 2 to 5 circuits
- Polarization prevents mismatching
- Low profile for tight packing applications

Reference Information

Product Specification: PS-35979-001
 Packaging: Bag
 Mates With: 35977
 Designed In: Millimeters

Electrical

Voltage: 250V
 Current: 7.0A
 Contact Resistance: 10mΩ max.
 Dielectric Withstanding Voltage: 1500V
 Insulation Resistance: 500 MΩ min.

Mechanical

Mating Force: 49.0N (11.0 lb) max.
 Unmating Force: 2.9N (0.7 lb) min.
 Durability: 30 cycles

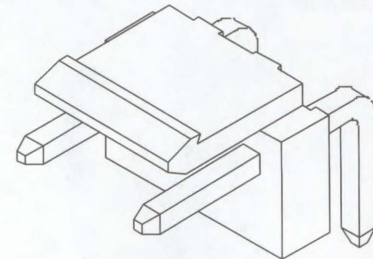
Physical

Housing: PA66, UL 94V-0
 Contact: Brass
 Plating: Tin/Lead
 Operating Temperature: -25 to +85°C

molex® 7.92mm (.312") Pitch Wire-to-Board Header

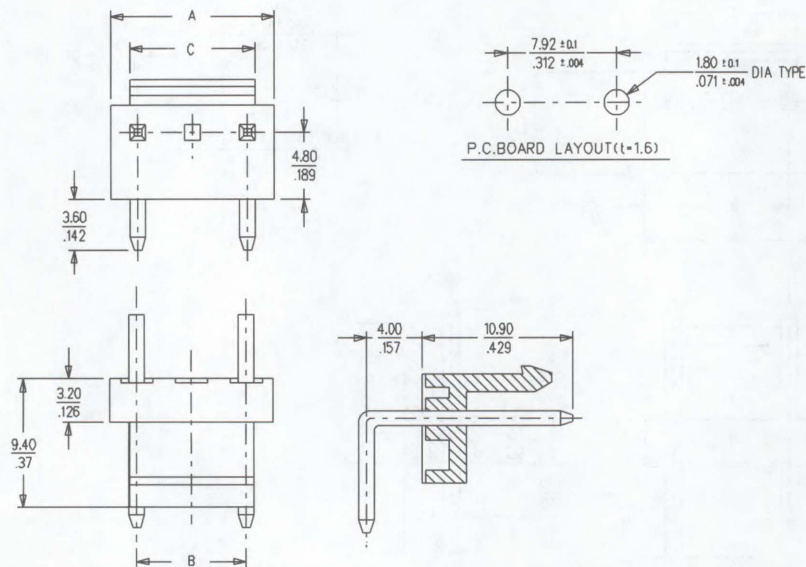
35979

Right Angle



3.00 to 7.92mm (.118 to .312") Pitch

CATALOG DRAWING (FOR REFERENCE ONLY)



ORDERING INFORMATION AND DIMENSIONS

Circuits	Order No.			Dimension		
	White	Red	Blue	A	B	C
2	35979-0220	35979-0222	35979-0224	11.88 (.468)	7.92 (.312)	8.98 (.354)
3	35979-0320	35979-0322	35979-0324	19.80 (.780)	15.84 (.624)	16.90 (.665)
4	35979-0420	35979-0422	35979-0424	27.72 (1.091)	23.76 (.935)	24.82 (.977)
5	35979-0520	35979-0522	35979-0524	35.64 (1.403)	31.68 (1.247)	32.74 (1.289)

FEATURES AND SPECIFICATIONS

Features and Benefit

- 4 points of contact
- Low profile

Reference Information

Product Specification: PS-35069
 Packaging: Reel
 UL File No.: E29179
 CSA File No.: LR19980
 Use With: 35191 housing
 Designed In: Millimeters

Electrical

Voltage: 250V
 Current: 7.0A
 Contact Resistance: 10mΩ max.
 Dielectric Withstanding Voltage: 1500V
 Insulation Resistance: 1000 MΩ min.

Mechanical

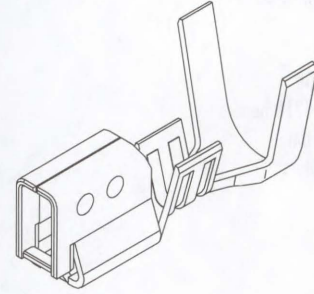
Contact Insertion Force: 14.7N (3.3 lb) max.
 Contact Retention to Housing: 24.5N (5.5 lb) min.
 Wire Pull-Out Force: 88.3N (19.8 lb) min.
 Mating Force: 19.6N (4.4 lb) max.
 Unmating Force: 1.2N (0.3 lb) min.
 Durability: 30 cycles

Physical

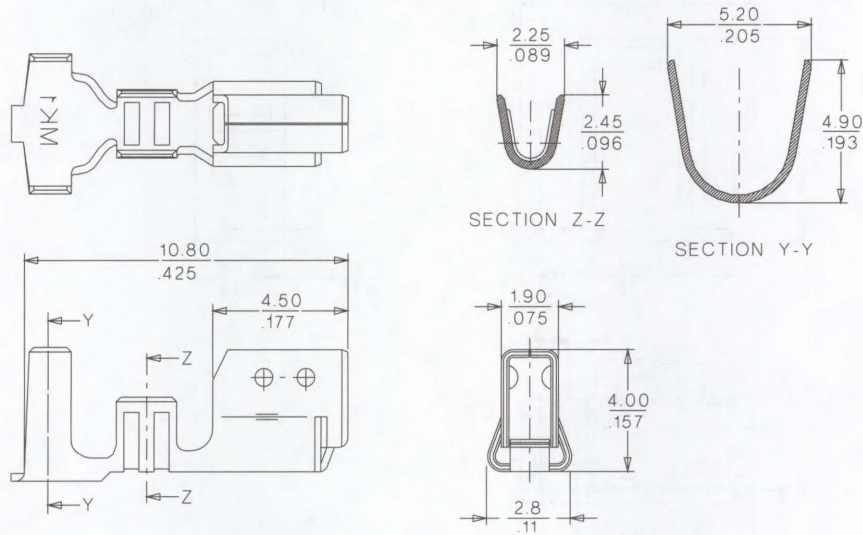
Contact: See Table
 Plating: See Table
 Insulation Diameter: 3.60mm (.142") max.
 Wire Range: 18 AWG only (UL SPT-2 Type)

molex® 7.92mm (.312") Pitch Wire-to-Board Crimp Terminal

35069



CATALOG DRAWING (FOR REFERENCE ONLY)



ORDERING INFORMATION

Order No.	Contact Material
35069-9002	Tin-Plated Brass
35069-8001	Tin-Plated Phosphor Bronze

D

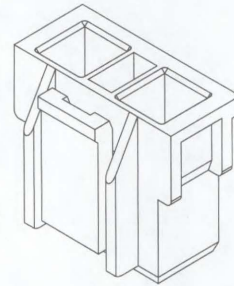
3.00 to 7.92mm (.118 to .312") Pitch

FEATURES AND SPECIFICATIONS

molex® 7.92mm (.312") Pitch Wire-to-Board Housing

35191

Positive Locking



Features and Benefits

- 2 circuits only
- Polarized
- Low profile
- For power connection

Reference Information

Product Specification: PS-35191
 Packaging: Bag
 UL File No.: E29179
 CSA File No.: LR19980
 Mates With: 35328-0210 header
 Use With: 35069 terminal
 Designed In: Millimeters

Electrical

Voltage: 250V
 Current: 7.0A
 Contact Resistance: 10mΩ max.
 Dielectric Withstanding Voltage: 1500V
 Insulation Resistance: 1000 MΩ min.

Mechanical

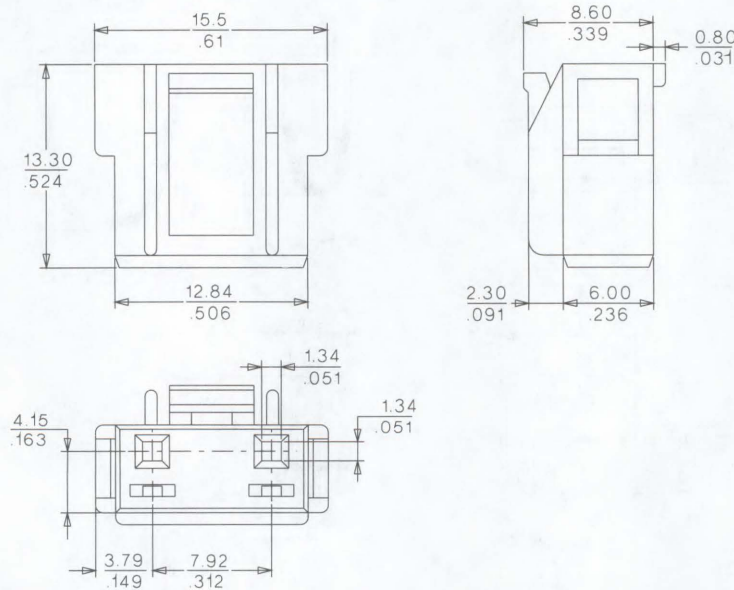
Contact Insertion Force: 14.7N (3.3 lb) max.
 Contact Retention to Housing: 24.5N (5.5 lb) min.
 Mating Force: 19.6N (4.4 lb) max.
 Unmating Force: 1.2N (0.3 lb) min.
 Durability: 30 cycles

Physical

Housing: Polyester, UL 94V-0
 Operating Temperature: -40 to +105°C

D
3.00 to 7.92mm (.118 to .312") Pitch

CATALOG DRAWING (FOR REFERENCE ONLY)



ORDERING INFORMATION

Circuits	Order No.
2	35191-0200

FEATURES AND SPECIFICATIONS

Features and Benefits

- Sizes 2 to 6 circuits
- Low profile
- 1.14mm (.045") square wire pins
- Polarized
- Positive lock

Reference Information

Product Specification: PS-35328
 Packaging: Bag and tube
 UL File No.: E29179
 CSA File No.: LR19980
 Mates With: 35156 and 35191-0210 housings
 Designed In: Millimeters

Electrical

Voltage: 250V
 Current: 7.0A
 Contact Resistance: 10mΩ max.
 Dielectric Withstanding Voltage: 1500V
 Insulation Resistance: 1000 MΩ min.

Mechanical

Mating Force: 19.6N (4.4 lb) max.
 Unmating Force: 1.2N (0.3 lb) min.
 Durability: 30 cycles

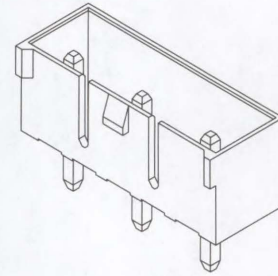
Physical

Housing: 6/6 nylon, UL 94V-0
 Contact: Brass
 Plating: Tin
 Operating Temperature: -40 to +105°C

molex® 7.92mm (.312") Pitch Wire-to-Board Header

35328

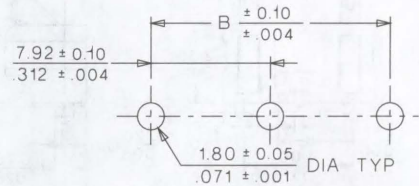
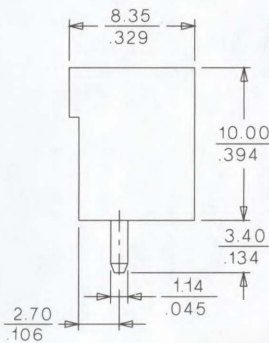
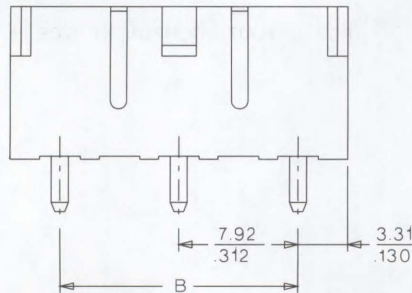
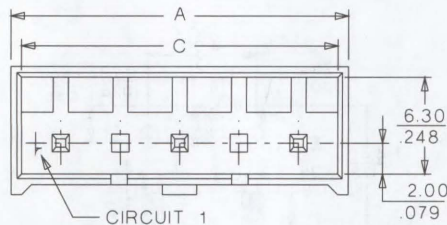
Vertical Fully Shrouded



D

3.00 to 7.92mm (.118 to .312") Pitch

CATALOG DRAWING (FOR REFERENCE ONLY)



PCB LAYOUT: COMPONENT SIDE
 PCB THICKNESS: $\frac{1.60}{.063}$

ORDERING INFORMATION AND DIMENSIONS

Circuits	Order No.	Dimension		
		A	B	C
2	35328-0210	14.54 (.572)	7.92 (.312)	13.14 (.517)
3	35328-0310	22.46 (.884)	15.84 (.624)	21.06 (.829)
4	35328-0410	30.38 (1.196)	23.76 (.935)	28.98 (1.141)
5	35328-0510	38.30 (1.508)	31.68 (1.247)	36.90 (1.453)
6	35328-0610	46.22 (1.820)	39.60 (1.559)	44.82 (1.765)

FEATURES AND SPECIFICATIONS

Features and Benefits

- Sizes 2 circuits
- Sturdy design ideal for board-to-board applications
- One-piece design for cost-effective assembly
- Bifurcated contact for good electrical reliability
- Metal solder tabs provide PCB hold-down and strain relief for SMT tails
- Locating pegs for placement assistance

Reference Information

Product Specification: PS-54629-009

Packaging: Embossed tape

Designed In: Millimeters

Electrical

Voltage: 50V

Current: 0.5A

Contact Resistance: 20mΩ max.

Dielectric Withstanding Voltage: 500V AC/1 min.

Insulation Resistance: 100 MΩ min.

Physical

Housing: Black LCP, UL 94V-0

Contact: Phosphor Bronze

Plating: Contact Area—0.40 to 0.60μm (16 to 24μ") Gold

Solder Tail Area—3.00 to 5.00μm (118 to 197μ")

Tin/Lead

Underplating—Nickel

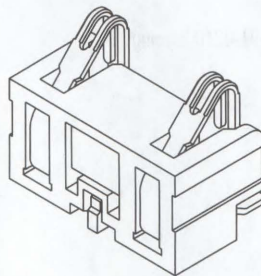
Solder Tabs: Phosphor Bronze, Tin/Lead over Copper plating

Operating Temperature: -40 to +85°C

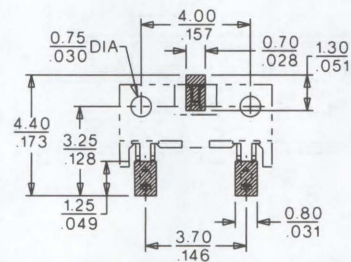
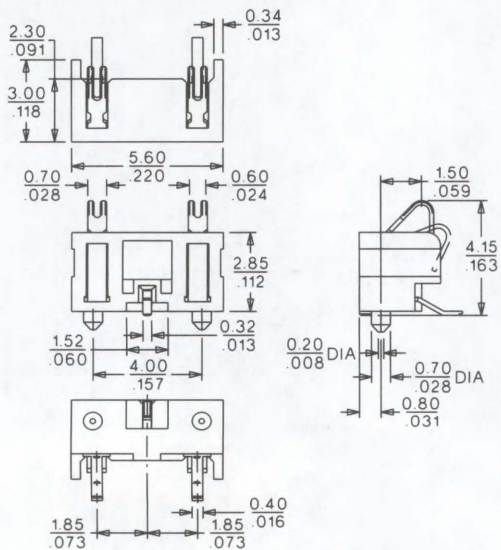
molex® 3.70mm (.146") Pitch Board-to-Board Compression Connector

54629

SMT, One-Piece Design 2.85mm (.112") Height



CATALOG DRAWING (FOR REFERENCE ONLY)



ORDERING INFORMATION AND DIMENSIONS

Circuits	Order No.	Carrier Tape Width
2	54629-0290	16.00 (.630)

3.00 to 7.92mm (.118 to .312") Pitch

D

FEATURES AND SPECIFICATIONS

Features and Benefits

- Sizes 2 circuits
- Sturdy design ideal for board-to-board applications
- One-piece design for cost-effective assembly
- Bifurcated contact for good electrical reliability
- Metal solder tabs provide PCB hold-down and strain relief for SMT tails
- Locating pegs for placement assistance

Reference Information

Product Specification: Contact Molex
 Packaging: Embossed tape
 Designed In: Millimeters

Electrical

Voltage: 50V
 Current: 0.5A
 Contact Resistance: 30mΩ max.
 Dielectric Withstanding Voltage: 500V AC/1 min.
 Insulation Resistance: 100 MΩ min.

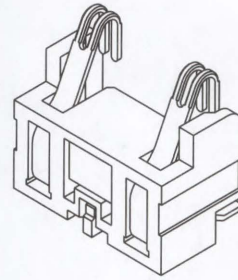
Physical

Housing: Black LCP, UL 94V-0
 Contact: Phosphor Bronze
 Plating: Contact Area—0.40 to 0.60μm (16 to 24μ") Gold
 Solder Tail Area—3.00 to 5.00μm (118 to 197μ")
 Tin/Lead
 Underplating—Nickel
 Solder Tabs: Phosphor Bronze, Tin/Lead over Copper plating
 Operating Temperature: -40 to +85°C

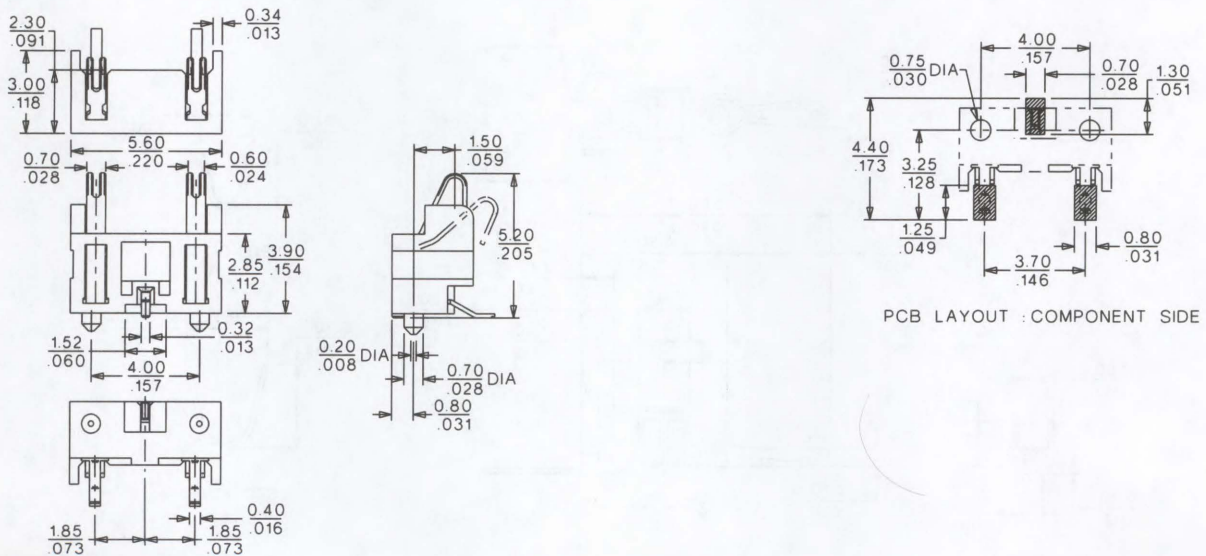
molex® 3.70mm (.146") Pitch Board-to-Board Compression Connector

54743

SMT, One-Piece Design 3.90mm (.154") Height



CATALOG DRAWING (FOR REFERENCE ONLY)



D
 3.00 to 7.92mm (.118 to .312") Pitch

ORDERING INFORMATION AND DIMENSIONS

Circuits	Order No.	Carrier Tape Width
2	54743-0290	16.00 (.630)

FEATURES AND SPECIFICATIONS

Features and Benefits

- Spring-fit style terminal provides high pressure retention to PCB
- Housing lance provides secure retention to housing and protects terminal
- PCB guide ridge helps position terminal to board

Reference Information

Packaging: Reel or bag
 Use With: 51036
 Designed In: Millimeters

Electrical

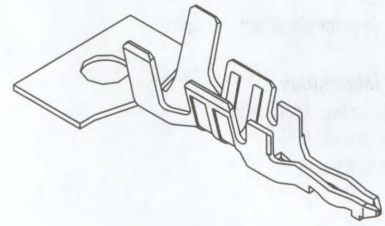
Voltage: 250V
 Current: 5.0A

Physical

Contact: Phosphor Bronze
 Plating: Tin
 Wire Range: 18 to 22 AWG
 0.30 to 0.85 sq. AVS
 0.50 to 0.85 sq. AV
 Insulation Range: 2.60mm dia. max.
 Strip Length: 2.50 to 3.00mm

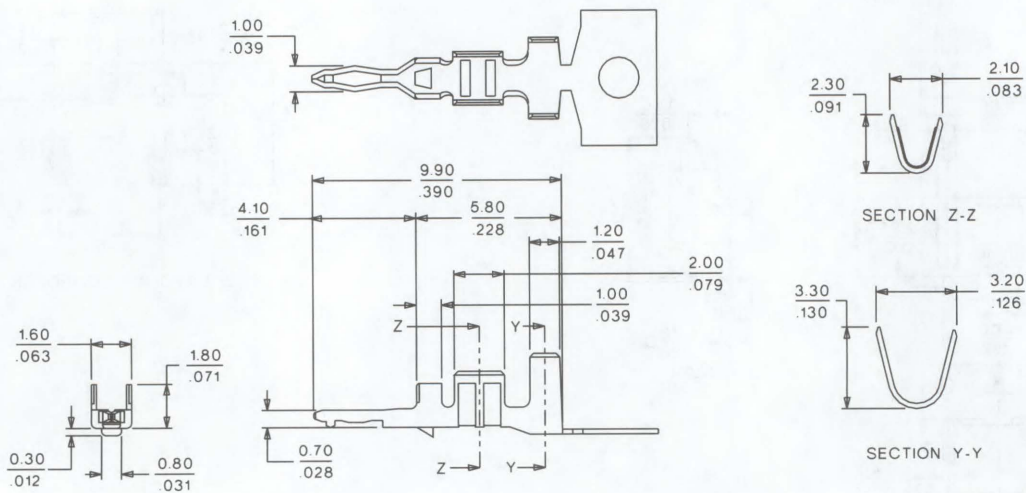
molex® 4.00mm (.158") Pitch Board-In Terminal

50098



3.00 to 7.92mm (.118 to .312") Pitch

CATALOG DRAWING (FOR REFERENCE ONLY)



ORDERING INFORMATION

Order No.	Terminal
50098-8000	Reel
50098-8100	Bag

FEATURES AND SPECIFICATIONS

Features and Benefits

- Sizes 2 to 15 circuits
- Housing lance provides secure terminal retention and protection

Reference Information

Packaging: Bag
 UL File No.: E29179
 CSA File No.: LR19980
 Use With: 50098
 Designed In: Millimeters

Electrical

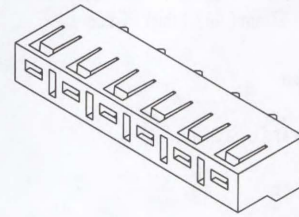
Voltage: 250V
 Current: 5.0A
 Dielectric Withstanding Voltage: 1000V AC/1 min.
 Insulation Resistance: 1000 MΩ min.

Physical

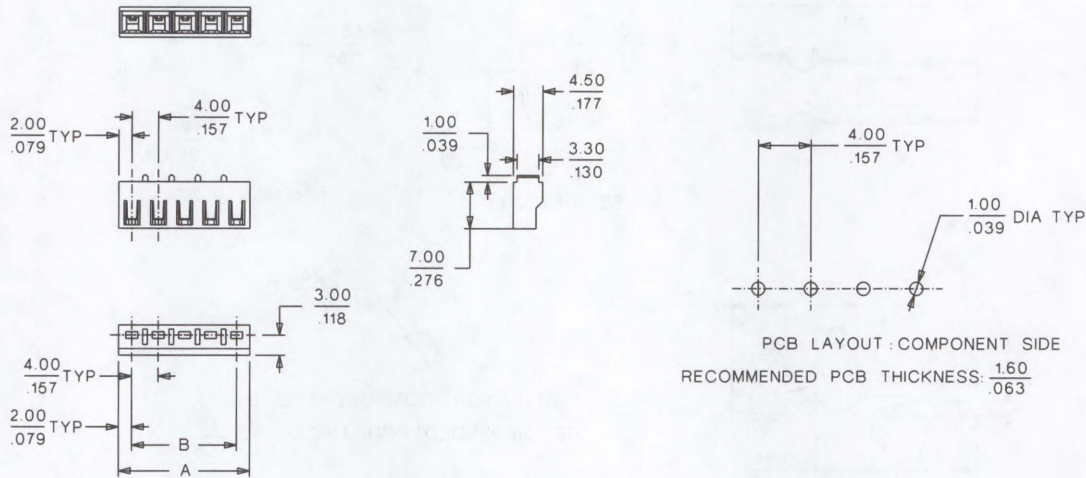
Housing: 6/6 nylon, UL 94V-0
 Operating Temperature: -40 to +105°C

molex® 4.00mm (.158") Pitch Board-In Housing

51036



CATALOG DRAWING (FOR REFERENCE ONLY)



ORDERING INFORMATION AND DIMENSIONS

Circuits	Order No.	Dimension	
		A	B
2	51036-0200	8.00 (.315)	4.00 (.157)
3	51036-0300	12.00 (.472)	8.00 (.315)
4	51036-0400	16.00 (.630)	12.00 (.472)
5	51036-0500	20.00 (.787)	16.00 (.630)
6	51036-0600	24.00 (.945)	20.00 (.787)
7	51036-0700	28.00 (1.102)	24.00 (.945)
8	51036-0800	32.00 (1.260)	28.00 (1.102)
9	51036-0900	36.00 (1.417)	32.00 (1.260)
10	51036-1000	40.00 (1.575)	36.00 (1.417)
11	51036-1100	44.00 (1.732)	40.00 (1.575)
12	51036-1200	48.00 (1.890)	44.00 (1.732)
13	51036-1300	52.00 (2.047)	48.00 (1.890)
14	51036-1400	56.00 (2.205)	52.00 (2.047)
15	51036-1500	60.00 (2.362)	56.00 (2.205)

3.00 to 7.92mm (.118 to .312") Pitch

D

FEATURES AND SPECIFICATIONS

Features and Benefits

- Secures wire to PC board before wave soldering
- Rapid and economical means of hand wiring PC boards
- Wire solders directly to PC board
- No additional contact resistance
- Low profile
- Recommended PC board hole diameter $1.24 \pm 0.08\text{mm}$ ($.048 \pm .003\text{"}$) for 1.57mm (.062") thick PC board

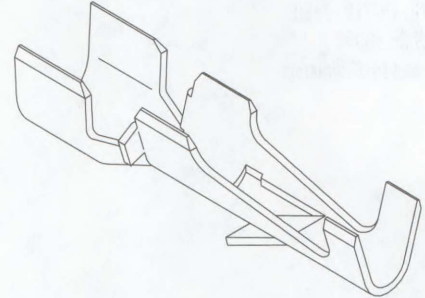
Physical

Contact: Brass
 Plating: Tin
 Strip Length: 6.0 to 6.6mm

molex® PC Board Crimp Terminal

5190-OIT

Stand Alone Board-In



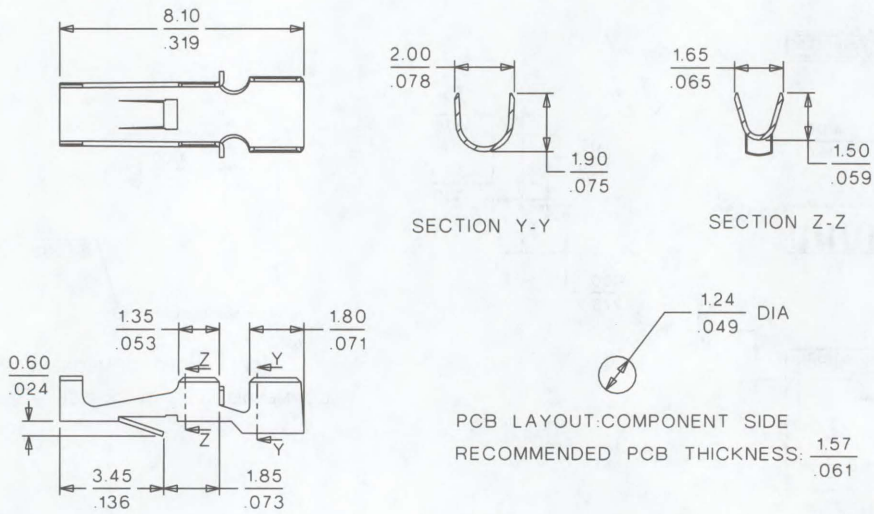
Reference Information

Packaging: Reel
 Tooling Information: See end of section
 UL File No.: E29179
 Designed In: Millimeters

3.00 to 7.92mm (.118 to .312") Pitch

D

CATALOG DRAWING (FOR REFERENCE ONLY)



ORDERING INFORMATION AND DIMENSIONS

Order No.	Wire Gauge AWG	Insulation Diameter
08-70-0060	22-26	1.70 max.

FEATURES AND SPECIFICATIONS

Features and Benefits

- Secures wire to PC board before wave soldering
- Rapid and economical means of hand wiring PC boards
- Wire solders directly to PC board
- No additional contact resistance
- Low profile
- Recommended PC board hole diameter $1.80 \pm 0.10\text{mm}$ ($.070 \pm .003"$) for 1.57mm (.062") thick PC board

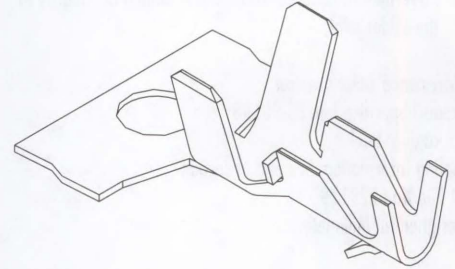
Physical

Contact: Brass
 Plating: Tin
 Strip Length: 4.7 to 5.3mm

molex® PC Board Crimp Terminal

5298-T

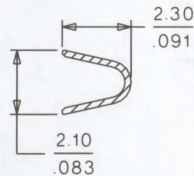
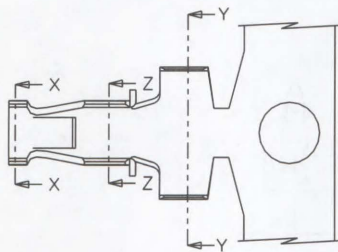
Stand Alone Board-In



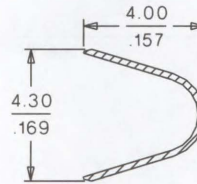
Reference Information

Packaging: Reel
 Tooling Information: See end of section
 UL File No.: E29179
 CSA File No.: LR19980
 Designed In: Millimeters

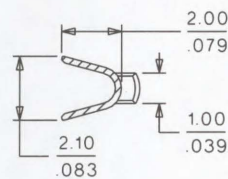
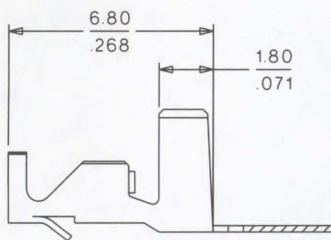
CATALOG DRAWING (FOR REFERENCE ONLY)



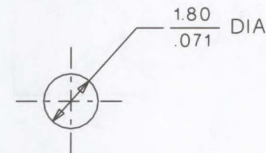
SECTION X-X



SECTION Y-Y



SECTION Z-Z



PCB HOLE DIMENSION
 RECOMMENDED PCB THICKNESS: $\frac{1.57}{.062}$

ORDERING INFORMATION

Order No.	Wire Gauge AWG	Insulation Diameter
08-70-0106	18-22	3.05 max.

D

3.00 to 7.92mm (.118 to .312") Pitch

FEATURES AND SPECIFICATIONS

Features and Benefits

- Terminal locking lance holds wire in PCB for flow soldering
- Design allows both wire and terminal to be soldered and assures proper solder flow
- Insulation support prevents damage to the wire or solder joint
- Low profile—total height above PCB is less than most components (2.80mm/.106")
- No terminal resistance, resistance is limited to integrity of the solder joint

Mechanical

Insertion Force to PCB: 2.5 lb max.

Physical

Contact: Phosphor Bronze

Plating: 1 μm Hot Tin/Lead Dip

PCB Mounting Hole Diameter:

22 AWG—1.23-1.30mm (.048-.051")

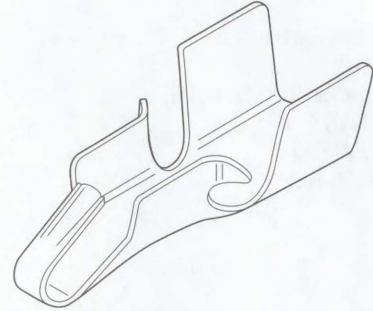
24 and 26 AWG—1.17-1.25mm (.046-.049")

(for 1.37-1.77mm/.054-.070" thick PCB)

molex® PC Board Crimp Terminal

90198

Stand Alone Board-In



D 3.00 to 7.92mm (.118 to .312") Pitch

Reference Information

Product Specification: PS-90198

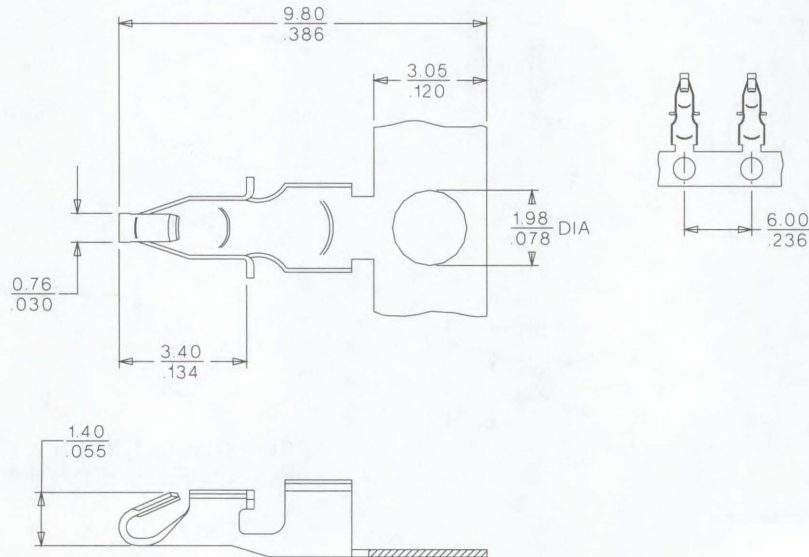
Packaging: Reel

Tooling Information: See end of section

UL File No.: E29179

Designed In: Millimeters

CATALOG DRAWING (FOR REFERENCE ONLY)



ORDERING INFORMATION

Order No.	Wire Gauge AWG	Insulation (Max.)
90198-0001	22, 24, 26	1.52 (.060)

Note: This product is a solder joint. Most of the spec details are dependent on the PCB solder and wire to be used.

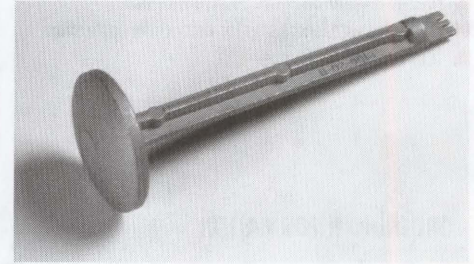
FEATURES

- For prototype and repair

Manual IDT Discrete Wire "T" Handle Hand Tool for PCB Connectors

ORDERING INFORMATION

Description	Order No.	Connector
"T" Tool for 2.50mm (.098") and 2.54mm (.100") pitch connectors	11-02-0016	7720, 7720S, 7795, 40555, 8160
"T" Tool for 3.96mm (.156"), 5.00mm (.197") and 5.08mm (.200") pitch connectors	11-02-0015	6952, 7674, 7675



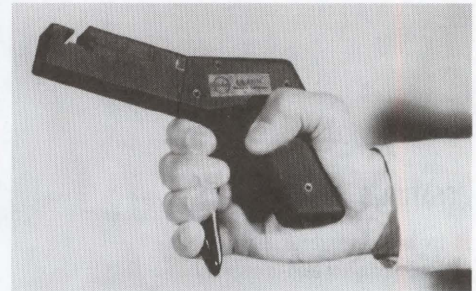
FEATURES

- For prototype and repair
- Auto indexing to next position after insertion of discrete wire

ORDERING INFORMATION

Description	Order No.	Connector
Pistol	63800-0478	
Module for 5.08mm (.200") pitch connectors, feed-to only	69008-0270	6952
Module for 3.96mm (.156") pitch connectors, feed-to only	11-21-5196	7674, 7675, 8160
Module for 3.96mm (.156") pitch connectors, feed-to or feed-through	62100-0400	7674, 7675
Module for 2.50mm (.098") and 2.54mm (.100") pitch connectors, feed-to only	11-21-5197	7720, 7720S, 7795S, 40555

Manual IDT Discrete Wire Hand Tool for PCB Connectors



3.00 to 7.92mm (.118 to .312") Pitch

FEATURES AND SPECIFICATIONS

- For prototype and repair
- Automatically indexes to the next position after previous wire termination

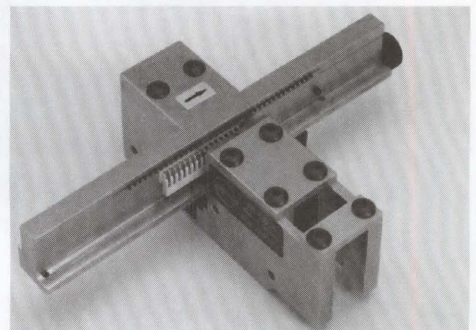
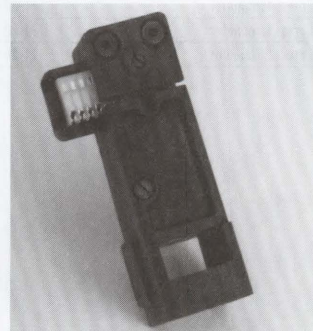
Preferred Version in Europe—Not available in US

Manual IDT Discrete Wire Hand Tool for PCB Connectors

ORDERING INFORMATION

Description	Order No.	Type	For Connector Series
Pistol	690058-0949		Required for all modules and all connectors

Description	Order No.	Type	For Connector Series
Module for 2.50mm (.098") and 2.54mm (.100") pitch connectors	69008-0225	B	7720, 7720S, 7795S, 40555
"User Friendly"	69008-0290	C	90650, 90652
Module for 3.96mm (.156") pitch connector	69008-0240	B	7674, 7675, 7720, 7720S, 7795S, 40555
Module for 5.00mm (.197") pitch connector	69008-0270	B	6952



FEATURES AND SPECIFICATIONS

Features

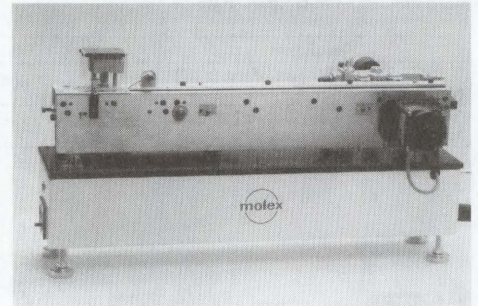
- Easily convertible to .100" or .156" pitch IDT KK family connectors
- Can terminate feed-to, feed-through or reverse feed-to*
- Quick and easy tooling change from feed-to to feed-through
- Feed-to configuration has positive wire stop
- Adjustable wire length stop for daisy chain applications
- "CE" certified for Europe

Specifications

Size: Width—605mm (23.81")
 Depth—138mm (5.43")
 Height—307mm (12.12")
 Weight: 21.0kg (46.3 lb)
 Pneumatic: 5-6 BAR (80-90psig) at 7L per minute (0.25 CFM)
 Electrical: Voltage—110V, 60 Hz or 220V, 50 Hz
 Connector to Connector Spacing: 38mm (1.5") for daisy chain
 Rate: Up to 1,200 terminations per hour, dependent on operator speed and application

molex® Application Tooling

Semi-Automatic IDT Discrete Wire Machine for PCB Connectors



D
3.00 to 7.92mm (.118 to .312") Pitch

ORDERING INFORMATION

Description	Order No.	For Connector Series
Mini-Cam IV Semi-Automatic Termination Machine for .156" KK	62300-0156	7674, 7675 and 40590
Mini-Cam IV Semi-Automatic Termination Machine for .100" KK	62300-0100	7720, 7795, 40555 and 41162

* Caution: For reverse feed-to configuration it is necessary for the terminated wires to protrude outside of the connector. If your application does not allow for this condition, do not use the reverse feed-to termination.

Note: The 62300-01XX Series Mini-Cam IV can run both .100 and .156 pitch KK connectors. The order number only determines how the machine will be set up from the factory.

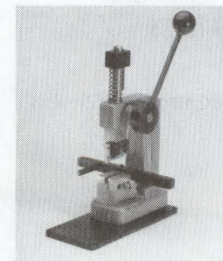
FEATURES

- For low-volume requirements
- Feed-through or feed-to assembly

ORDERING INFORMATION

Description	Order No.	Connector
.156" pitch manual press terminator	11-20-0314	7674, 7675
.100" pitch manual press terminator	11-20-0179	7720, 7720S
.098" pitch manual press terminator	11-20-0436	8160

Manual Ribbon Cable Press for PCB Connectors



FEATURES AND SPECIFICATIONS

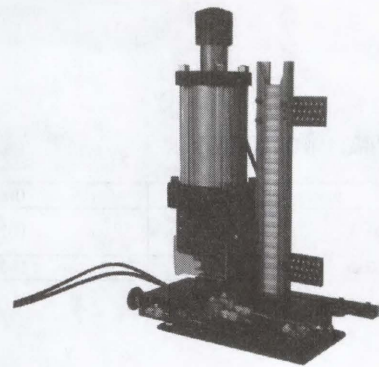
Features

- Terminates pre-notched cable to pre-assembled connectors
- Bench mounted and operator controlled
- Feed-through and feed-to capabilities
- Connector magazine for increased output

Specifications

Size: Width—152mm (6")
 Depth—305mm (12")
 Weight: 13.5kg (30 lb)
 Pneumatics: Pressure—5 BAR (80-100psig) at 5.6L per minute (0.2 CFM)
 Rate: Up to 350 assemblies per hour dependent on operator speed and application

Semi-Automatic Ribbon Cable Terminator for PCB Connectors



ORDERING INFORMATION

Description	Order No.	Connector
.156" pitch cable terminator	11-20-0418	7674, 7675
.100" pitch cable terminator	11-20-0412	7720
.100" pitch cable terminator for connectors with backwalls	11-20-0771	7720
Terminator for 7795 connector	11-20-0435	7795S
Terminator for 8160 connector	11-20-0498	8160

FEATURES AND SPECIFICATIONS

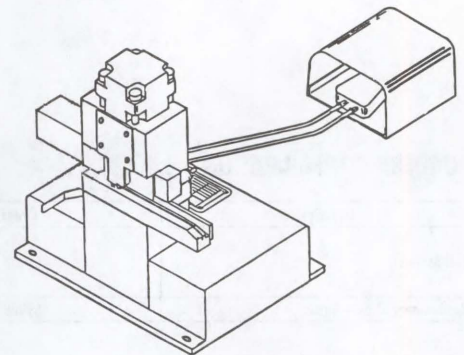
Features

- For processing hand-placed connectors, discrete wire
- Automatic connector indexing after termination
- Pneumatically operated cycle timer ensures stroke completion
- Leaves operator free to work with both hands

Specifications

Size: Width—250mm (9.8")
 Depth—150mm (5.9")
 Height—215mm (8.5")
 Weight: 11kg
 Pressure: 6 BAR (90psig)

Semi-Automatic IDT PB13 Pneumatic Machine for KK Connector



ORDERING INFORMATION

Preferred Version in Europe—Not available in US

Description	Order No.	Connector
Hand Placed Connectors	69012-0750	7675
Side Loader	69012-0600	7720S
PB13 IDT Terminator	69012-0700	7720S

FEATURES AND SPECIFICATIONS

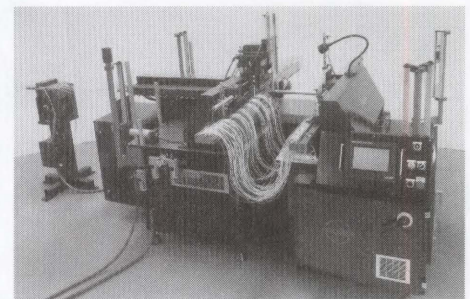
Features

- Dereel system for discrete wire or cable available
- Double- or single-ended harness capabilities without strip
- Single ended harness capabilities with strip (38mm/1.150")
- Full strip for discrete wire
- Strip and retain for cable
- Up to 56 terminations per cycle (dependent on circuit size)
- Discrete wire with variable length capability (Harness length of 152mm/6" min. to 2400mm/95" max.)
- Missing wire and splice detector
- Magazine feed for connector loading
- Continuity testing (double-ended assemblies)
- Hot stamp marking
- Reject station to segregate rejected assemblies
- "CE" certified

Specifications

Pneumatic: Pressure—5 BAR (80psig)
 Consumption—142L per minute (5 CFM)
 Electrical: Voltage—120V, 60 Hz or 220V, 50 Hz
 Current—30A at 120V or 15A at 220V
 Rate: 300 cycles per hour average, dependent on harness length

Fully Automatic Harness Assembly Machine for KK Series IDT Connectors



ORDERING INFORMATION

Description	Order No.	Connector
Fully Automatic Mass Terminator for Discrete Wire and Ribbon Cable	Contact Molex	KK® Series IDT

* See Application Tooling section for additional information on these tools

† Due to the special nature of these machines, contact Molex for information related to specific harness requirements

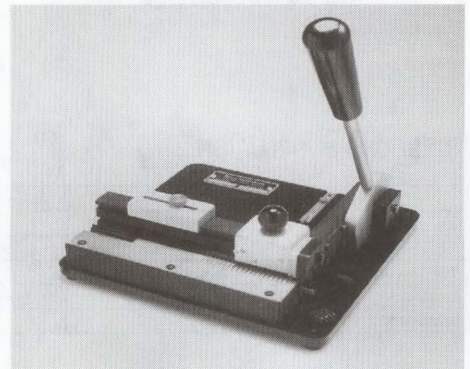
D

3.00 to 7.92mm (.118 to .312") Pitch

FEATURES

- Manually operated
- Tool indexes and cuts parts to variable lengths with simple set-up adjustment

Manual .156" Pitch Cutter for Breakaway Headers



D 3.00 to 7.92mm (.118 to .312") Pitch

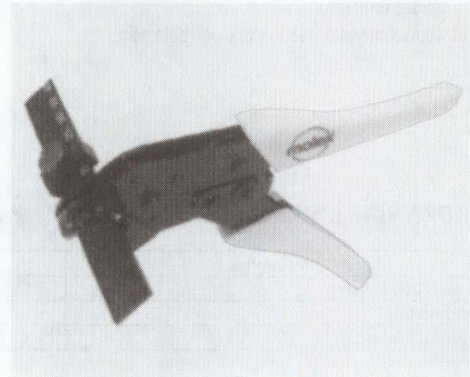
ORDERING INFORMATION

Description	Order No.	Header Series
Tool Assembly	11-20-0901	41661, 41662, 41671, 41672, 41681, 41682, 41701, 41711, 41721
Replacement Blade	11-31-7504	

FEATURES

- Hand tool for 2.54mm (.100") and 3.96mm (.156") pitch header cutting to length
- Incorporates a graduated slideway and stop for presetting of required header length. Maximum length of header which can be cut is 40 position.

Manual Hand Cutting Tool for Breakaway Headers



ORDERING INFORMATION

Description	Order No.	Header Series
Tool Assembly	69008-0350	8624, 70203, 70343, 70344, 42225, 42226, 42227, 42228, 42375, 42376, 42377, 42624, 41661, 41662, 41671, 41672, 41681, 41682
Replacement Blade—Upper	69008-0078	